

PARTS CATALOGUE



SCOOTERS

SK64CB(GR)

DOWNTOWN 350i ABS



Release Date : 2015/08/02
Print Date : 2016/02/11

ABOUT THIS PARTS LIST

- This parts list is compiled all service parts for model SK64CB(GR).
- Any difference between color chart and motorcycle will be revised according to motorcycle.
- The Mark:
 1. Marking "***" must add color code in the end before ordering parts.
 2. Marking "#" are parts with modification, Please find the details from e-Parts system.
- When modification or additions to this parts list are made a revised edition at an appropriate time.



CONTENTS

| | |
|-----------------------------------|-----|
| ● ABOUT THIS PARTS LIST | 1 |
| ● COLOR CHART OF SK64CB(GR) | 3 |
| ● CONTENTS-ENGINE GROUP | 13 |
| ● CONTENTS-FRAME GROUP | 14 |
| ● ENGINE PARTS LIST | 17 |
| ● FRAME PARTS LIST | 47 |
| ● PART NO. INDEX | 127 |

| NO | MODEL | | | COLOR CHART OF SK64CB(GR) | | | |
|------------------------|--------------------|----------------|---------|---------------------------|-----------|---------|--------------|
| | PHOTO NO | | | NO. 1 | NO. 2 | NO. 3 | NO. 4 |
| | BASIC COLOR | | | | Mat White | | Pearly Black |
| | CODE | | | | Mat White | | Pearly Black |
| | PARTS NAME | PARTS NO. | VERSION | NH265FA | NH265FA | NH359PA | NH359PA |
| 1 | MUFFLER ASSY. EXH. | 1830A-ACD5-E00 | 6 | D1Q | | | |
| 2 | PROTECTOR MUFFLER | 18318-ACD5-E00 | 1 | | | | |
| 3 | FENDER FRONT | 61100-ACD5-E00 | 0 | D2V | | D39 | |
| 4 | BAR ASSY R RR STEP | 5070A-ACD5-E00 | 0 | J1A | | | |
| 5 | BAR ASSY L RR STEP | 5070B-ACD5-E00 | 0 | | | | |
| 6 | BAR R RR STEP | 50710-ACD5-E00 | 0 | | | | |
| 7 | BAR L RR STEP | 50720-ACD5-E00 | 0 | | | | |
| 8 | MOLDING B R SIDE | 64308-ACD5-E00 | 0 | | | | |
| 9 | MOLDING B L SIDE | 64309-ACD5-E00 | 0 | J1P | | | |
| 10 | TOP COVER FRONT | 64313-ACD5-E00 | 1 | | | | |
| 11 | END R HANDLE | 53105-ACD5-E00 | 0 | J1S | | | |
| 12 | END L HANDLE | 53106-ACD5-E00 | 0 | | | | |
| 13 | CENTER COVER FRONT | 64203-ACD5-E00 | 0 | | | | |
| 14 | MOLDING A R SIDE | 64302-ACD5-E00 | 1 | J8P | | | |
| 15 | MOLDING A L SIDE | 64303-ACD5-E00 | 1 | | | | |
| 16 | SKIRT R SIDE | 64305-ACD5-E00 | 1 | | | | |
| 17 | SKIRT L SIDE | 64306-ACD5-E00 | 1 | | | | |
| 18 | CARRIER REAR | 81200-ACD5-E00 | 1 | | | | |
| 19 | CAP RR GRIP | 81220-LKG7-E00 | 0 | | | | |
| 20 | COVER R BODY | 83500-ACD5-E00 | 1 | | | | |
| 21 | COVER L BODY | 83600-ACD5-E00 | 1 | JEP | | | |
| 22 | COVER A RR CENTER | 83750-ACD5-E00 | 1 | | | | |
| 23 | CALIPER ASSY RR | 43100-LGE5-E01 | 0 | | | | |
| 24 | CALIPER ASSY, FR | 45200-LKG7-E00 | 3 | | | | |
| 25 | L COVER COVER COMP | 1134A-ACD5-E00 | 0 | | | | |
| DATE OF STARTING-SALES | | | | | | | |
| DATE OF END-SALES | | | | | | | |

| NO | MODEL | | | COLOR CHART OF SK64CB(GR) | | | |
|------------------------|--------------------|----------------|---------|---------------------------|---------|--------------------|--|
| | PHOTO NO | | | NO. 5 | NO. 6 | NO. 7 | |
| | BASIC COLOR | | | Mat Silver Crystal | | Dark Gray Metallic | |
| | CODE | | | Mat Silver Crystal | | Dark Gray Metallic | |
| | PARTS NAME | PARTS NO. | VERSION | NH263FA | NH124FA | NH124FA | |
| 1 | MUFFLER ASSY. EXH. | 1830A-ACD5-E00 | 6 | D1Q | | | |
| 2 | PROTECTOR MUFFLER | 18318-ACD5-E00 | 1 | | | | |
| 3 | FENDER FRONT | 61100-ACD5-E00 | 0 | D3F | D3R | | |
| 4 | BAR ASSY R RR STEP | 5070A-ACD5-E00 | 0 | | | | |
| 5 | BAR ASSY L RR STEP | 5070B-ACD5-E00 | 0 | | | | |
| 6 | BAR R RR STEP | 50710-ACD5-E00 | 0 | J1A | | | |
| 7 | BAR L RR STEP | 50720-ACD5-E00 | 0 | | | | |
| 8 | MOLDING B R SIDE | 64308-ACD5-E00 | 0 | | | | |
| 9 | MOLDING B L SIDE | 64309-ACD5-E00 | 0 | J1P | | | |
| 10 | TOP COVER FRONT | 64313-ACD5-E00 | 1 | | | | |
| 11 | END R HANDLE | 53105-ACD5-E00 | 0 | J1S | | | |
| 12 | END L HANDLE | 53106-ACD5-E00 | 0 | | | | |
| 13 | CENTER COVER FRONT | 64203-ACD5-E00 | 0 | | | | |
| 14 | MOLDING A R SIDE | 64302-ACD5-E00 | 1 | | | | |
| 15 | MOLDING A L SIDE | 64303-ACD5-E00 | 1 | | | | |
| 16 | SKIRT R SIDE | 64305-ACD5-E00 | 1 | | | | |
| 17 | SKIRT L SIDE | 64306-ACD5-E00 | 1 | J2P | J3P | | |
| 18 | CARRIER REAR | 81200-ACD5-E00 | 1 | | | | |
| 19 | CAP RR GRIP | 81220-LKG7-E00 | 0 | | | | |
| 20 | COVER R BODY | 83500-ACD5-E00 | 1 | | | | |
| 21 | COVER L BODY | 83600-ACD5-E00 | 1 | | | | |
| 22 | COVER A RR CENTER | 83750-ACD5-E00 | 1 | | | | |
| 23 | CALIPER ASSY RR | 43100-LGE5-E01 | 0 | JBA | | | |
| 24 | CALIPER ASSY, FR | 45200-LKG7-E00 | 3 | | | | |
| 25 | L COVER COVER COMP | 1134A-ACD5-E00 | 0 | JBP | | | |
| DATE OF STARTING-SALES | | | | | | | |
| DATE OF END-SALES | | | | | | | |

| NO | MODEL | | | COLOR CHART OF SK64CB(GR) | | | |
|------------------------|---------------------|----------------|---------|---------------------------|-----------|---------|--------------|
| | PHOTO NO | | | NO. 1 | NO. 2 | NO. 3 | NO. 4 |
| | BASIC COLOR | | | | Mat White | | Pearly Black |
| | CODE | | | | Mat White | | Pearly Black |
| | PARTS NAME | PARTS NO. | VERSION | NH265FA | NH265FA | NH359PA | NH359PA |
| 26 | L COVER COVER COMP | 1134B-ACD5-E00 | 0 | JBP | | | |
| 27 | FENDER COVER R SIDE | 61111-ACD5-E00 | 0 | | | | |
| 28 | FENDER COVER L SIDE | 61112-ACD5-E00 | 0 | | | | |
| 29 | LEVER R STRG HANDLE | 53175-LKF5-E00 | 0 | M3A | | | |
| 30 | LEVER L STRG HANDLE | 53178-LKF5-E00 | 0 | | | | |
| 31 | COVER FRONT | 64301-ACD5-E00 | 1 | N1P | | JSP | |
| 32 | COVER R SIDE | 83510-ACD5-E00 | 0 | | | | |
| 33 | COVER L SIDE | 83610-ACD5-E00 | 0 | | | | |
| 34 | COVER R SIDE SKIRT | 64335-ACD5-E00 | 1 | N1P | | | |
| 35 | COVER L SIDE SKIRT | 64345-ACD5-E00 | 0 | | | | |
| 36 | LEG SHIELD UP | 81141-ACD5-E00 | 0 | N1P | | NHP | |
| 37 | COVER.BATTERY | 50326-LGJ8-900 | 5 | N1R | | | |
| 38 | COVER UNDER | 50613-ACD5-E00 | 0 | | | | |
| 39 | GRIP COMP THROT | 53140-LHJ3-900 | 2 | | | | |
| 40 | GRIP COMP L HANDLE | 53150-LEA6-900 | 4 | | | | |
| 41 | COVER METER FR | 53202-ACD5-E00 | 4 | | | | |
| 42 | COVER HANDLE UP | 53205-ACD5-E00 | 1 | | | | |
| 43 | COVER HANDLE LOW | 53206-ACD5-E00 | 1 | | | | |
| 44 | COVER METER | 53214-ACD5-E00 | 6 | | | | |
| 45 | INNER FENDER FRONT | 61110-ACD5-E00 | 1 | | | | |
| 46 | PLUG WIND SCREEN | 64223-LEA7-E00 | 5 | | | | |
| 47 | PANEL R FLOOR | 64310-ACD5-E00 | 0 | | | | |
| 48 | LID RESERVE TANK | 64311-ACD5-E00 | 0 | | | | |
| 49 | MAT R FLOOR | 64320-ACD5-E00 | 0 | | | | |
| 50 | PANEL L FLOOR | 64330-ACD5-E00 | 0 | | | | |
| DATE OF STARTING-SALES | | | | | | | |
| DATE OF END-SALES | | | | | | | |

| NO | MODEL | | | COLOR CHART OF SK64CB(GR) | | | |
|------------------------|---------------------|----------------|---------|---------------------------|---------|--------------------|--|
| | PHOTO NO | | | NO. 5 | NO. 6 | NO. 7 | |
| | BASIC COLOR | | | Mat Silver Crystal | | Dark Gray Metallic | |
| | CODE | | | Mat Silver Crystal | | Dark Gray Metallic | |
| | PARTS NAME | PARTS NO. | VERSION | NH263FA | NH124FA | NH124FA | |
| 26 | L COVER COVER COMP | 1134B-ACD5-E00 | 0 | JBP | | | |
| 27 | FENDER COVER R SIDE | 61111-ACD5-E00 | 0 | | | | |
| 28 | FENDER COVER L SIDE | 61112-ACD5-E00 | 0 | | | | |
| 29 | LEVER R STRG HANDLE | 53175-LKF5-E00 | 0 | M3A | | | |
| 30 | LEVER L STRG HANDLE | 53178-LKF5-E00 | 0 | | | | |
| 31 | COVER FRONT | 64301-ACD5-E00 | 1 | N1P | | | |
| 32 | COVER R SIDE | 83510-ACD5-E00 | 0 | | | | |
| 33 | COVER L SIDE | 83610-ACD5-E00 | 0 | | | | |
| 34 | COVER R SIDE SKIRT | 64335-ACD5-E00 | 1 | | | | |
| 35 | COVER L SIDE SKIRT | 64345-ACD5-E00 | 0 | | | | |
| 36 | LEG SHIELD UP | 81141-ACD5-E00 | 0 | | | | |
| 37 | COVER.BATTERY | 50326-LGJ8-900 | 5 | N1R | | | |
| 38 | COVER UNDER | 50613-ACD5-E00 | 0 | | | | |
| 39 | GRIP COMP THROT | 53140-LHJ3-900 | 2 | | | | |
| 40 | GRIP COMP L HANDLE | 53150-LEA6-900 | 4 | | | | |
| 41 | COVER METER FR | 53202-ACD5-E00 | 4 | | | | |
| 42 | COVER HANDLE UP | 53205-ACD5-E00 | 1 | | | | |
| 43 | COVER HANDLE LOW | 53206-ACD5-E00 | 1 | | | | |
| 44 | COVER METER | 53214-ACD5-E00 | 6 | | | | |
| 45 | INNER FENDER FRONT | 61110-ACD5-E00 | 1 | | | | |
| 46 | PLUG WIND SCREEN | 64223-LEA7-E00 | 5 | | | | |
| 47 | PANEL R FLOOR | 64310-ACD5-E00 | 0 | | | | |
| 48 | LID RESERVE TANK | 64311-ACD5-E00 | 0 | | | | |
| 49 | MAT R FLOOR | 64320-ACD5-E00 | 0 | | | | |
| 50 | PANEL L FLOOR | 64330-ACD5-E00 | 0 | | | | |
| DATE OF STARTING-SALES | | | | | | | |
| DATE OF END-SALES | | | | | | | |

| NO | MODEL | | | COLOR CHART OF SK64CB(GR) | | | |
|------------------------|---------------------|----------------|---------|---------------------------|-----------|---------|--------------|
| | PHOTO NO | | | NO. 1 | NO. 2 | NO. 3 | NO. 4 |
| | BASIC COLOR | | | | Mat White | | Pearly Black |
| | CODE | | | | Mat White | | Pearly Black |
| | PARTS NAME | PARTS NO. | VERSION | NH265FA | NH265FA | NH359PA | NH359PA |
| 51 | MAT L FLOOR | 64340-ACD5-E00 | 0 | N1R | | | |
| 52 | MAT R LEG SHIELD | 64350-ACD5-E00 | 0 | | | | |
| 53 | MAT L LEG SHIELD | 64360-ACD5-E00 | 0 | | | | |
| 54 | COWL UNDER | 64400-ACD5-E00 | 1 | | | | |
| 55 | FENDER RR TIRE | 80100-ACD5-E00 | 1 | | | | |
| 56 | FENDER A RR | 80101-ACD5-E00 | 0 | | | | |
| 57 | FENDER REAR | 80105-ACD5-E00 | 0 | | | | |
| 58 | RR FENDER LOW | 80106-LKF5-E00 | 0 | | | | |
| 59 | COVER LICENSE LIGHT | 80107-LKF5-E00 | 0 | | | | |
| 60 | COVER CENTER | 80151-ACD5-E00 | 0 | | | | |
| 61 | LID FUEL CAP MAINT | 80152-ACD5-E00 | 0 | | | | |
| 62 | LID ASSY FUEL CAP | 8015A-ACD5-E00 | 0 | | | | |
| 63 | LIDR FR INNER BOX | 81122-ACD5-E00 | 0 | | | | |
| 64 | COVER R INNER LID | 81123-ACD5-E00 | 1 | | | | |
| 65 | BOX R FR INNER BOX | 81124-ACD5-E00 | 0 | | | | |
| 66 | LEG SHIELD | 81131-ACD5-E00 | 0 | | | | |
| 67 | LID L FR INNER BOX | 81132-ACD5-E00 | 0 | | | | |
| 68 | COVER L INNER LID | 81133-ACD5-E00 | 1 | | | | |
| 69 | BOX L FR INNER BOX | 81134-ACD5-E00 | 0 | | | | |
| 70 | BOX ASSY.R FRONT | 8113A-ACD5-E00 | 7 | | | | |
| 71 | BOX ASSY.L FRONT | 8113B-ACD5-E00 | 7 | | | | |
| 72 | LEG SHIELD UP A | 81142-ACD5-E00 | 0 | | | | |
| 73 | COVER KEY | 81151-ACD5-E00 | 1 | | | | |
| 74 | COVER R LOCKLESS | 81153-ACD5-E00 | 1 | | | | |
| 75 | COVER L LOCKLESS | 81163-ACD5-E00 | 1 | | | | |
| DATE OF STARTING-SALES | | | | | | | |
| DATE OF END-SALES | | | | | | | |

| NO | MODEL | | | COLOR CHART OF SK64CB(GR) | | | |
|------------------------|---------------------|----------------|---------|---------------------------|---------|--------------------|--|
| | PHOTO NO | | | NO. 5 | NO. 6 | NO. 7 | |
| | BASIC COLOR | | | Mat Silver Crystal | | Dark Gray Metallic | |
| | CODE | | | Mat Silver Crystal | | Dark Gray Metallic | |
| | PARTS NAME | PARTS NO. | VERSION | NH263FA | NH124FA | NH124FA | |
| 51 | MAT L FLOOR | 64340-ACD5-E00 | 0 | N1R | | | |
| 52 | MAT R LEG SHIELD | 64350-ACD5-E00 | 0 | | | | |
| 53 | MAT L LEG SHIELD | 64360-ACD5-E00 | 0 | | | | |
| 54 | COWL UNDER | 64400-ACD5-E00 | 1 | | | | |
| 55 | FENDER RR TIRE | 80100-ACD5-E00 | 1 | | | | |
| 56 | FENDER A RR | 80101-ACD5-E00 | 0 | | | | |
| 57 | FENDER REAR | 80105-ACD5-E00 | 0 | | | | |
| 58 | RR FENDER LOW | 80106-LKF5-E00 | 0 | | | | |
| 59 | COVER LICENSE LIGHT | 80107-LKF5-E00 | 0 | | | | |
| 60 | COVER CENTER | 80151-ACD5-E00 | 0 | | | | |
| 61 | LID FUEL CAP MAINT | 80152-ACD5-E00 | 0 | | | | |
| 62 | LID ASSY FUEL CAP | 8015A-ACD5-E00 | 0 | | | | |
| 63 | LIDR FR INNER BOX | 81122-ACD5-E00 | 0 | | | | |
| 64 | COVER R INNER LID | 81123-ACD5-E00 | 1 | | | | |
| 65 | BOX R FR INNER BOX | 81124-ACD5-E00 | 0 | | | | |
| 66 | LEG SHIELD | 81131-ACD5-E00 | 0 | | | | |
| 67 | LID L FR INNER BOX | 81132-ACD5-E00 | 0 | | | | |
| 68 | COVER L INNER LID | 81133-ACD5-E00 | 1 | | | | |
| 69 | BOX L FR INNER BOX | 81134-ACD5-E00 | 0 | | | | |
| 70 | BOX ASSY.R FRONT | 8113A-ACD5-E00 | 7 | | | | |
| 71 | BOX ASSY.L FRONT | 8113B-ACD5-E00 | 7 | | | | |
| 72 | LEG SHIELD UP A | 81142-ACD5-E00 | 0 | | | | |
| 73 | COVER KEY | 81151-ACD5-E00 | 1 | | | | |
| 74 | COVER R LOCKLESS | 81153-ACD5-E00 | 1 | | | | |
| 75 | COVER L LOCKLESS | 81163-ACD5-E00 | 1 | | | | |
| DATE OF STARTING-SALES | | | | | | | |
| DATE OF END-SALES | | | | | | | |

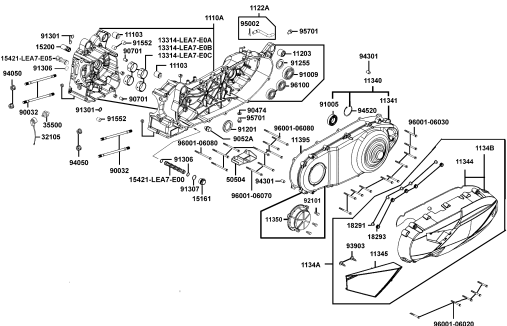
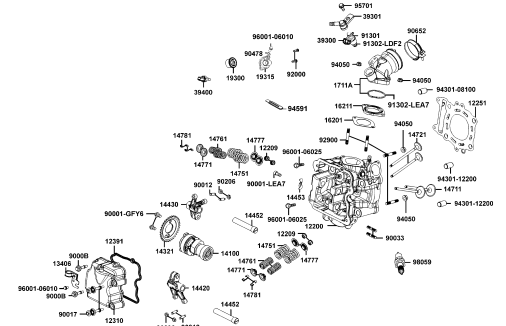
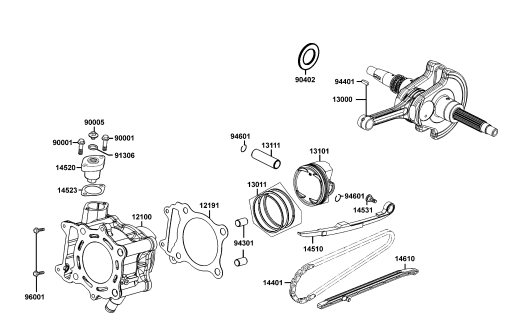
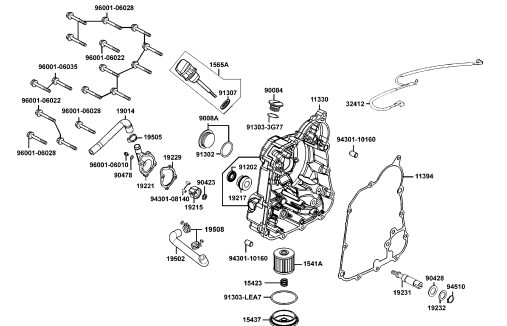
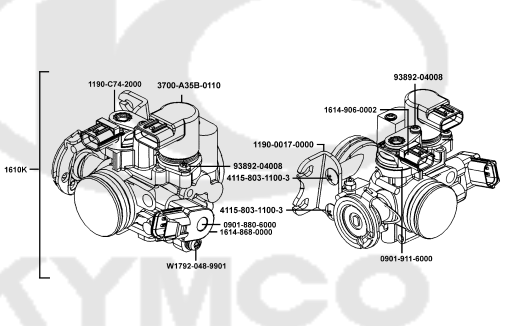
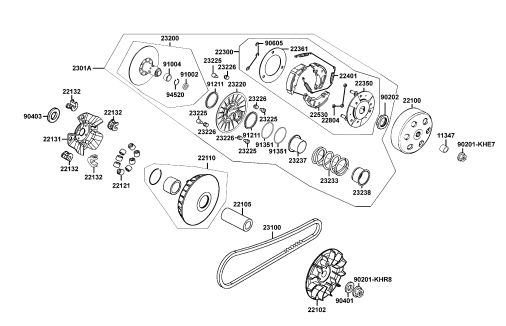
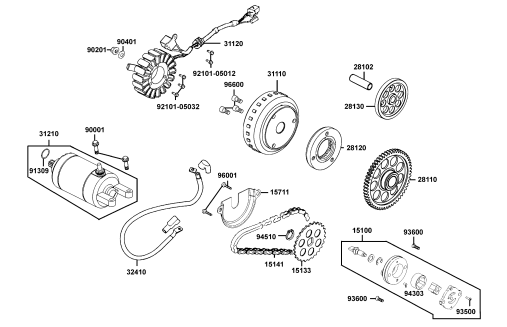
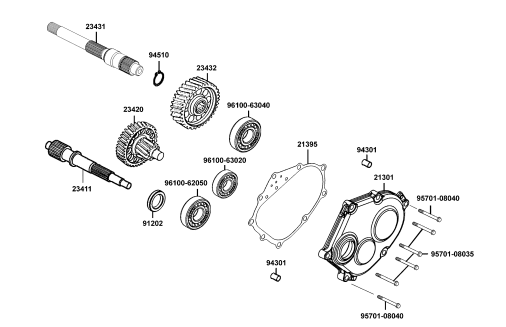
| NO | MODEL | | | COLOR CHART OF SK64CB(GR) | | | |
|------------------------|---------------------|----------------|---------|---------------------------|-----------|---------|--------------|
| | PHOTO NO | | | NO. 1 | NO. 2 | NO. 3 | NO. 4 |
| | BASIC COLOR | | | | Mat White | | Pearly Black |
| | CODE | | | | Mat White | | Pearly Black |
| | PARTS NAME | PARTS NO. | VERSION | NH265FA | NH265FA | NH359PA | NH359PA |
| 76 | BOX ASSY LUGGAGE | 81260-ACD5-E00 | 0 | N1R | | | |
| 77 | RR MOLDING R SIDE | 83520-ACD5-E00 | 0 | | | | |
| 78 | BOARD B R SIDE | 83532-ACD5-E00 | 1 | | | | |
| 79 | BOARD B L SIDE | 83534-ACD5-E00 | 1 | | | | |
| 80 | RR MOLDING L SIDE | 83620-ACD5-E00 | 0 | | | | |
| 81 | BAND HARNESS WIRE | 90656-KUDU-900 | 0 | NEA | | | |
| 82 | COVER COMP RIGHT | 11330-LEA7-E00 | 15 | | | | |
| 83 | COVER WATER PUMP | 19221-LGE5-E00 | 1 | | | | |
| 84 | FORK ASSY FR R | 51400-ACD5-E00 | 1 | | | | |
| 85 | BOTTOM CASE R | 51420-ACD5-E00 | 0 | | | | |
| 86 | FORK ASSY FR L | 51500-ACD5-E00 | 1 | | | | |
| 87 | BOTTOM CASE L | 51520-ACD5-E00 | 0 | | | | |
| 88 | CAP AC GENERATOR | 90084-KKF9-901 | 0 | | | | |
| 89 | CAP ASSY | 9008A-PTA1-900 | 3 | | | | |
| 90 | PROTECTOR EXHAUST | 18325-ACD5-E00 | 1 | | | | |
| 91 | CUSHION ASSY RR R/H | 52400-ACD5-E00 | 1 | | | | |
| 92 | CUSHION ASSY RR L/H | 52500-ACD5-E00 | 1 | | | | |
| 93 | WHEEL COMP RR | 42601-LEA7-E00 | 7 | NHA | | | |
| 94 | WHEEL ASSY FR | 44600-LEA7-305 | 0 | | | | |
| 95 | FORK ASSY RR | 52000-ACD5-E00 | 5 | | | | |
| 96 | BOARD A R SIDE | 83530-ACD5-E00 | 0 | NHP | | | |
| 97 | BOARD A L SIDE | 83630-ACD5-E00 | 0 | | | | |
| 98 | WIND SCREEN | 64220-ACD5-E00 | 0 | T01 | | | |
| 99 | WIND SCREEN ASSY | 6422A-ACD5-E00 | 1 | | | | |
| 100 | REPLACEMENT ASSY | 77200-ACD5-309 | 0 | | | | |
| DATE OF STARTING-SALES | | | | | | | |
| DATE OF END-SALES | | | | | | | |

| NO | MODEL | | | COLOR CHART OF SK64CB(GR) | | | |
|------------------------|---------------------|----------------|---------|---------------------------|---------|--------------------|--|
| | PHOTO NO | | | NO. 5 | NO. 6 | NO. 7 | |
| | BASIC COLOR | | | Mat Silver Crystal | | Dark Gray Metallic | |
| | CODE | | | Mat Silver Crystal | | Dark Gray Metallic | |
| | PARTS NAME | PARTS NO. | VERSION | NH263FA | NH124FA | NH124FA | |
| 76 | BOX ASSY LUGGAGE | 81260-ACD5-E00 | 0 | N1R | | | |
| 77 | RR MOLDING R SIDE | 83520-ACD5-E00 | 0 | | | | |
| 78 | BOARD B R SIDE | 83532-ACD5-E00 | 1 | | | | |
| 79 | BOARD B L SIDE | 83534-ACD5-E00 | 1 | | | | |
| 80 | RR MOLDING L SIDE | 83620-ACD5-E00 | 0 | | | | |
| 81 | BAND HARNESS WIRE | 90656-KUDU-900 | 0 | NEA | | | |
| 82 | COVER COMP RIGHT | 11330-LEA7-E00 | 15 | | | | |
| 83 | COVER WATER PUMP | 19221-LGE5-E00 | 1 | | | | |
| 84 | FORK ASSY FR R | 51400-ACD5-E00 | 1 | | | | |
| 85 | BOTTOM CASE R | 51420-ACD5-E00 | 0 | | | | |
| 86 | FORK ASSY FR L | 51500-ACD5-E00 | 1 | | | | |
| 87 | BOTTOM CASE L | 51520-ACD5-E00 | 0 | | | | |
| 88 | CAP AC GENERATOR | 90084-KKF9-901 | 0 | | | | |
| 89 | CAP ASSY | 9008A-PTA1-900 | 3 | | | | |
| 90 | PROTECTOR EXHAUST | 18325-ACD5-E00 | 1 | | | | |
| 91 | CUSHION ASSY RR R/H | 52400-ACD5-E00 | 1 | | | | |
| 92 | CUSHION ASSY RR L/H | 52500-ACD5-E00 | 1 | | | | |
| 93 | WHEEL COMP RR | 42601-LEA7-E00 | 7 | NHA | | | |
| 94 | WHEEL ASSY FR | 44600-LEA7-305 | 0 | | | | |
| 95 | FORK ASSY RR | 52000-ACD5-E00 | 5 | | | | |
| 96 | BOARD A R SIDE | 83530-ACD5-E00 | 0 | NHP | | | |
| 97 | BOARD A L SIDE | 83630-ACD5-E00 | 0 | | | | |
| 98 | WIND SCREEN | 64220-ACD5-E00 | 0 | | | | |
| 99 | WIND SCREEN ASSY | 6422A-ACD5-E00 | 1 | T01 | | | |
| 100 | REPLACEMENT ASSY | 77200-ACD5-309 | 0 | | | | |
| DATE OF STARTING-SALES | | | | | | | |
| DATE OF END-SALES | | | | | | | |

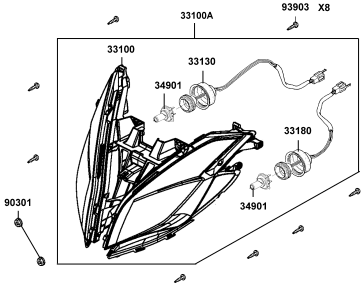
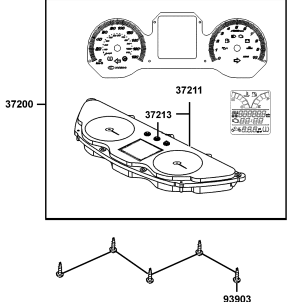
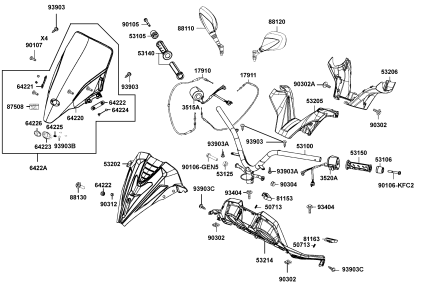
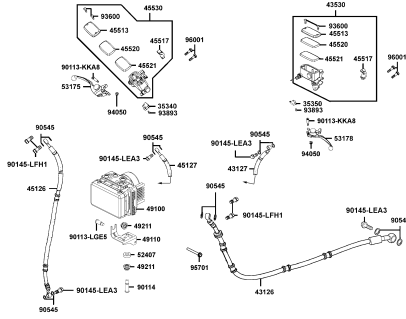
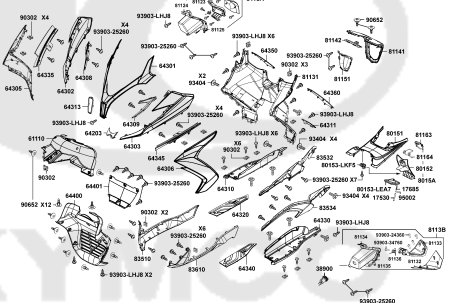
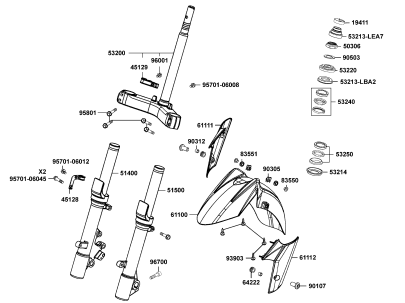
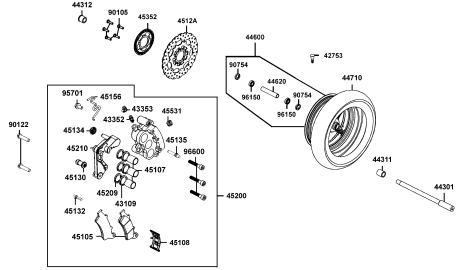
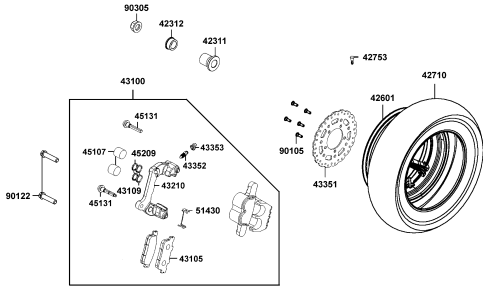
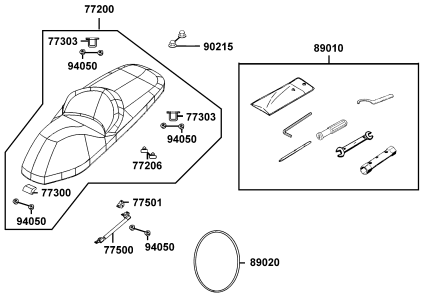
| NO | MODEL | | | COLOR CHART OF SK64CB(GR) | | | |
|------------------------|----------------------|----------------|---------|---------------------------|-----------|---------|--------------|
| | PHOTO NO | | | NO. 1 | NO. 2 | NO. 3 | NO. 4 |
| | BASIC COLOR | | | | Mat White | | Pearly Black |
| | CODE | | | | Mat White | | Pearly Black |
| | PARTS NAME | PARTS NO. | VERSION | NH265FA | NH265FA | NH359PA | NH359PA |
| 101 | EMB K-LOGO | 86102-ALG1-E00 | 4 | T01 | | | |
| 102 | EMB BODY COVER | 86202-ACD5-E00 | 0 | | | | |
| 103 | EMB SKIRT | 86332-ACD5-E00 | 3 | | | | |
| 104 | EMB MARK KYMCO | 87206-ACD5-E00 | 0 | | | | |
| 105 | LABEL TIRE | 87505-ACD5-E00 | 0 | | | | |
| 106 | LABEL CLEANNESS | 87508-KKC4-E00 | 1 | | | | |
| 107 | CAUTION FILTER | 87512-KEBE-E00 | 0 | | | | |
| 108 | CAUTION SIDE STAND | 87541-GAR1-E00 | 1 | | | | |
| 109 | CAUTION MOBILE | 87541-KKC2-E00 | 1 | | | | |
| 110 | MARK MAINT CAUTION | 87542-GAR1-E00 | 2 | | | | |
| 111 | STRIPE LEG SHIELD UP | 86730-ACD5-E00 | 0 | T01 | | T02 | |
| 112 | EMB MARK ABS | 87311-LFH1-E00 | 2 | T02 | | | |
| 113 | MARK DRIVE CAUTION | 87560-GFY6-E00 | 4 | | | | |
| | | | | | | | |
| | | | | | | | |
| | | | | | | | |
| | | | | | | | |
| | | | | | | | |
| | | | | | | | |
| | | | | | | | |
| | | | | | | | |
| | | | | | | | |
| | | | | | | | |
| | | | | | | | |
| | | | | | | | |
| | | | | | | | |
| | | | | | | | |
| | | | | | | | |
| | | | | | | | |
| | | | | | | | |
| DATE OF STARTING-SALES | | | | | | | |
| DATE OF END-SALES | | | | | | | |

| NO | MODEL | | | COLOR CHART OF SK64CB(GR) | | | |
|------------------------|----------------------|----------------|---------|---------------------------|---------|--------------------|--|
| | PHOTO NO | | | NO. 5 | NO. 6 | NO. 7 | |
| | BASIC COLOR | | | Mat Silver Crystal | | Dark Gray Metallic | |
| | CODE | | | Mat Silver Crystal | | Dark Gray Metallic | |
| | PARTS NAME | PARTS NO. | VERSION | NH263FA | NH124FA | NH124FA | |
| 101 | EMB K-LOGO | 86102-ALG1-E00 | 4 | T01 | | | |
| 102 | EMB BODY COVER | 86202-ACD5-E00 | 0 | | | | |
| 103 | EMB SKIRT | 86332-ACD5-E00 | 3 | | | | |
| 104 | EMB MARK KYMCO | 87206-ACD5-E00 | 0 | | | | |
| 105 | LABEL TIRE | 87505-ACD5-E00 | 0 | | | | |
| 106 | LABEL CLEANNESS | 87508-KKC4-E00 | 1 | | | | |
| 107 | CAUTION FILTER | 87512-KEBE-E00 | 0 | | | | |
| 108 | CAUTION SIDE STAND | 87541-GAR1-E00 | 1 | | | | |
| 109 | CAUTION MOBILE | 87541-KKC2-E00 | 1 | | | | |
| 110 | MARK MAINT CAUTION | 87542-GAR1-E00 | 2 | | | | |
| 111 | STRIPE LEG SHIELD UP | 86730-ACD5-E00 | 0 | T02 | | | |
| 112 | EMB MARK ABS | 87311-LFH1-E00 | 2 | | | | |
| 113 | MARK DRIVE CAUTION | 87560-GFY6-E00 | 4 | | | | |
| | | | | | | | |
| | | | | | | | |
| | | | | | | | |
| | | | | | | | |
| | | | | | | | |
| | | | | | | | |
| | | | | | | | |
| | | | | | | | |
| | | | | | | | |
| | | | | | | | |
| | | | | | | | |
| | | | | | | | |
| | | | | | | | |
| | | | | | | | |
| | | | | | | | |
| | | | | | | | |
| | | | | | | | |
| DATE OF STARTING-SALES | | | | | | | |
| DATE OF END-SALES | | | | | | | |

CONTENTS - ENGINE GROUP

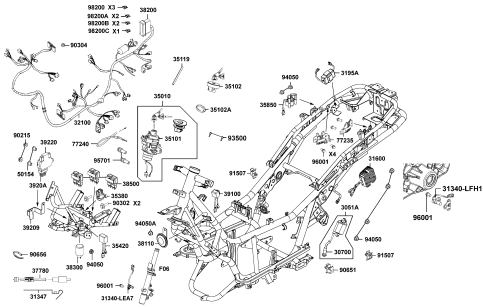
| E01 Crank Case | E02 Cylinder Head Cover Cylinder | E03 Cylinder Piston Crankshaft |
|---|--|--|
|  |  |  |
|  |  |  |
|  |  | |

CONTENTS - FRAME GROUP

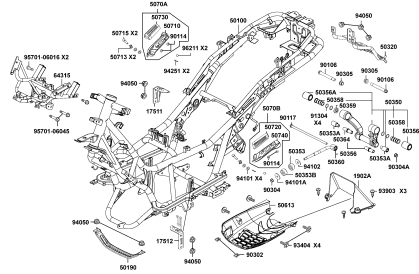
| | | |
|---|--|---|
| F01 Head Light | F02 Speed meter | F03 Handle Steering |
|  |  |  |
| F04 Master Cylinder | F05 Fender Front | F06 Stem Steering |
|  |  |  |
| F07 Front Wheel | F08 Rear Wheel | F09 Seat |
|  |  |  |

CONTENTS - FRAME GROUP

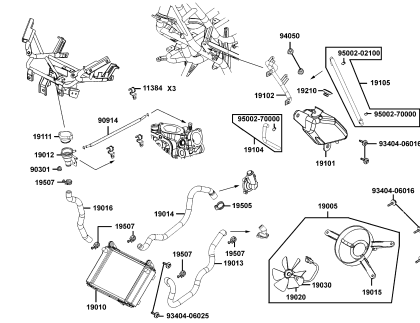
F19 Harness Wire



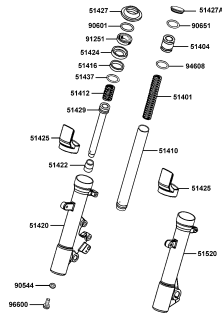
F20 Frame Body



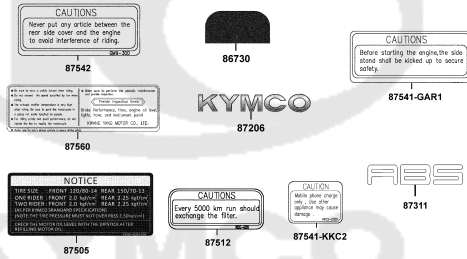
F21 Radiator



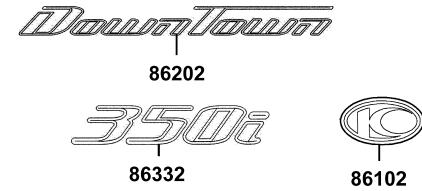
F22 Separated Parts Of Fr Fork



F23 Caution Label



F24 Emblem Stripe

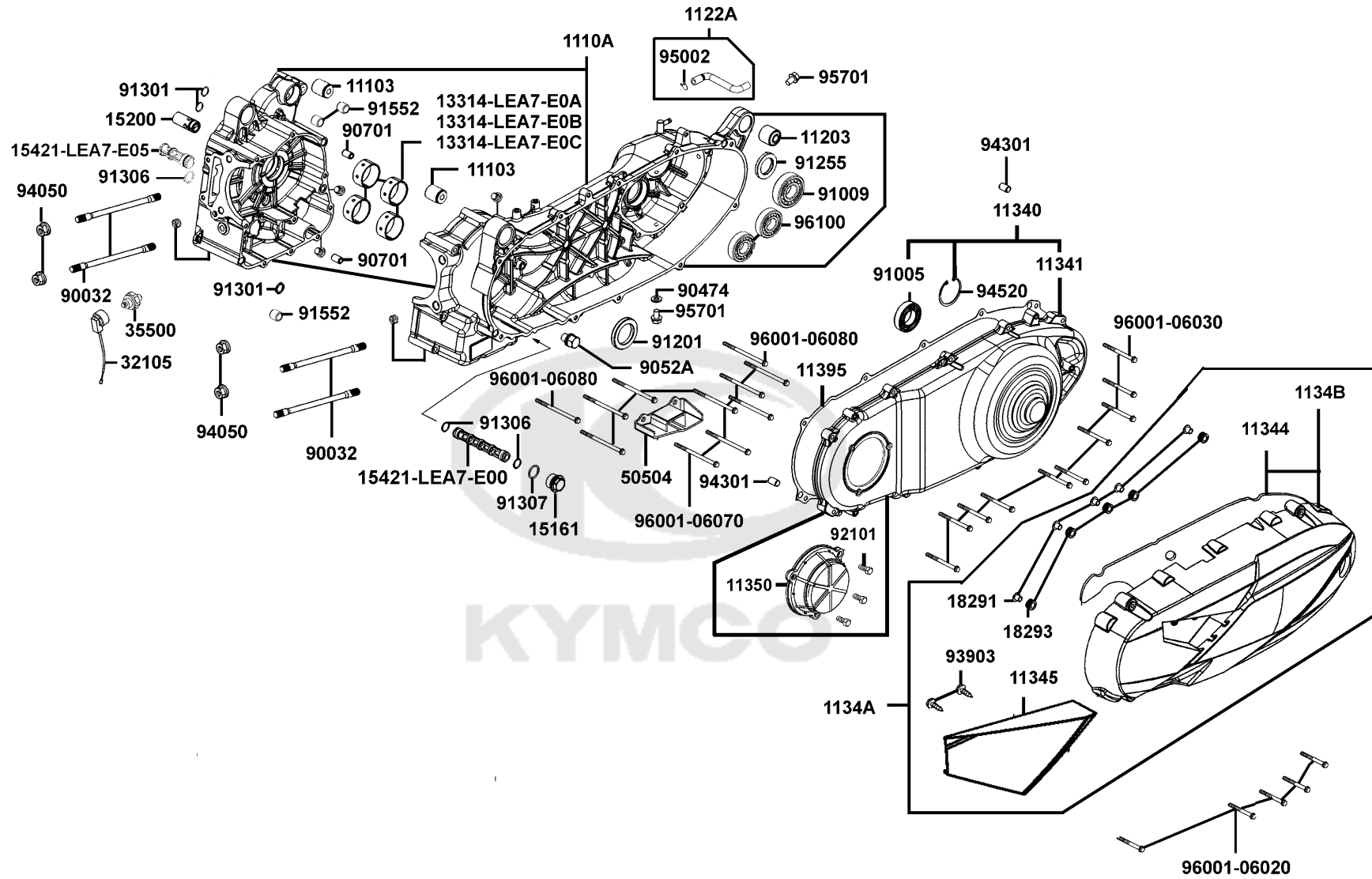


F25 KEY



E01

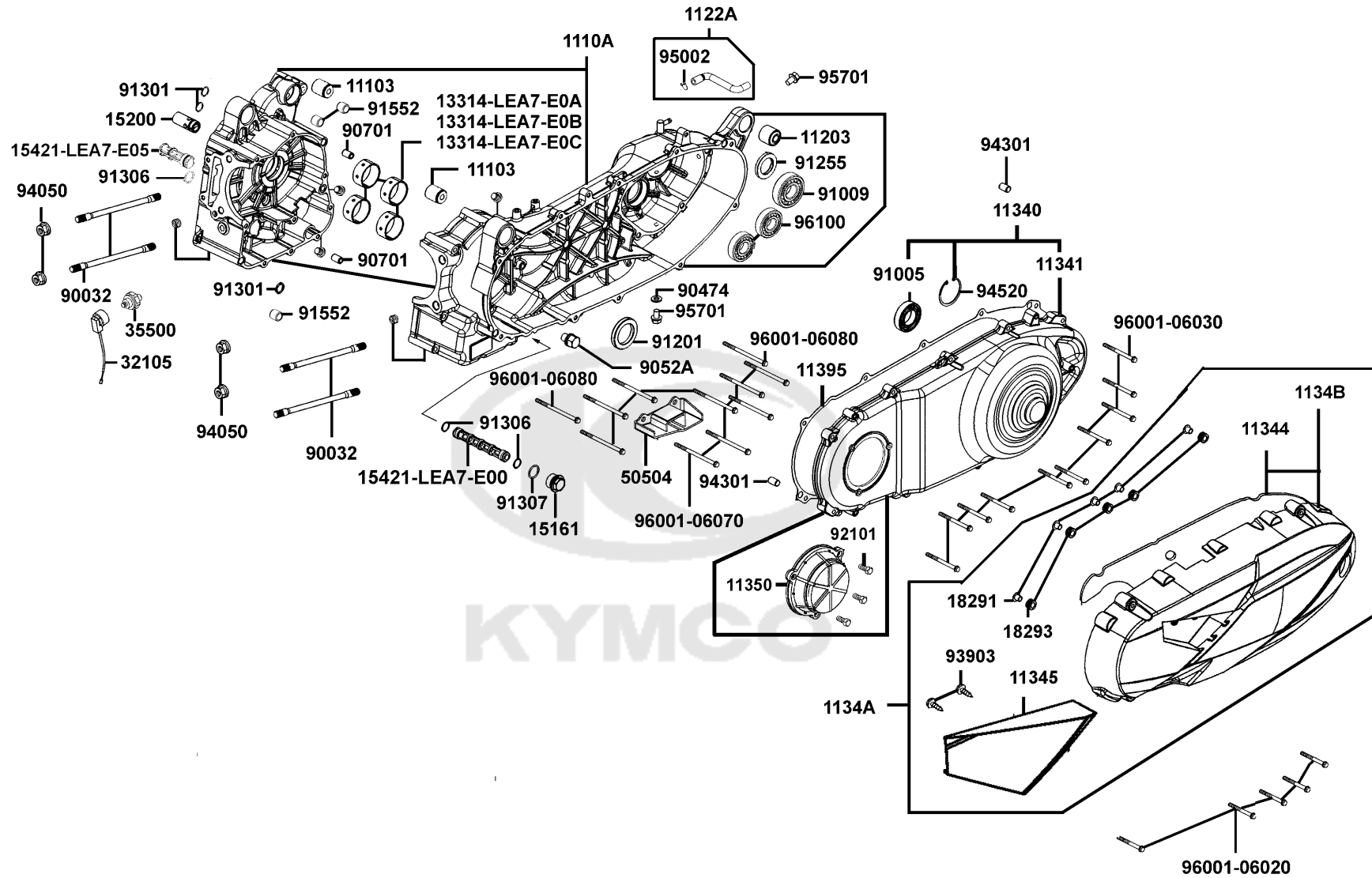
Crank Case



| Sales mark | Ref no | Part no | Description | Reg description | Regd no | E01 |
|------------|----------------|----------------|-----------------------------|---|---------|-----|
| | 11103 | 11103-KHE7-900 | RUB BUSH ENG HANGER | RUB BUSH ENG HANGER | 2 | |
| | 1110A | 1110A-ACD5-305 | CRANKCASE ASSEMBLY | CRANKCASE ASSEMBLY | 1 | |
| | 11203 | 11203-LBA2-E00 | RUB BUSH L CASE | RUB BUSH L CASE | 1 | |
| | 1122A | 1122A-LEA7-E00 | TUBE ASSY BREATHER | TUBE ASSY BREATHER | 1 | |
| | 11340 | 11340-LEA7-E02 | COVER COMP L SIDE | COVER COMP L SIDE | 1 | |
| | 11341 | 11341-LEA7-E01 | COVER L CRANK CASE | COVER L CRANK CASE | 1 | |
| | 11344 | 11344-ACD5-E00 | FOAM TEXTURE | FOAM TEXTURE | 1 | |
| | 11345 | 11345-ACD5-E00 | SIDE COVER L COVER | SIDE COVER L COVER | 1 | |
| ** | 1134A | 1134A-ACD5-E00 | L COVER COVER COMP | L COVER COVER COMP | 1 | |
| ** | 1134B | 1134B-ACD5-E00 | L COVER COVER COMP | L COVER COVER COMP | 1 | |
| | 11350 | 11350-LEA7-E02 | ELEMENT COMP L COVER | ELEMENT COMP L COVER | 1 | |
| | 11395 | 11395-LEA7-E00 | GASKET L COVER | GASKET L COVER | 1 | |
| | 13314-LEA7-E0A | 13314-LEA7-E0A | BEARING CRANK SHAFT A RED | BEARING CRANK SHAFT A RED (1.995~1.998) | 1 | |
| | 13314-LEA7-E0B | 13314-LEA7-E0B | BEARING CRANK SHAFT A GREEN | BEARING CRANK SHAFT A GREEN | 1 | |
| | 13314-LEA7-E0C | 13314-LEA7-E0C | BEARING CRANK SHAFT A BLACK | BEARING CRANK SHAFT A BLACK | 1 | |
| | 15161 | 15161-PUA5-E00 | PLUG SCREW SECTION FILTER | PLUG SCREW SECTION FILTER | 1 | |
| | 15200 | 15200-KED9-900 | OIL RELIEF VALVE ASSY | OIL RELIEF VALVE ASSY | 1 | |
| | 15421-LEA7-E00 | 15421-LEA7-E00 | SCREEN OIL FILTER | SCREEN OIL FILTER | 1 | |
| | 15421-LEA7-E05 | 15421-LEA7-E05 | SCREEN OIL FILTER | SCREEN OIL FILTER | 1 | |
| | 18291 | 18291-KKC4-900 | COLLAR | COLLAR | 5 | |

E01

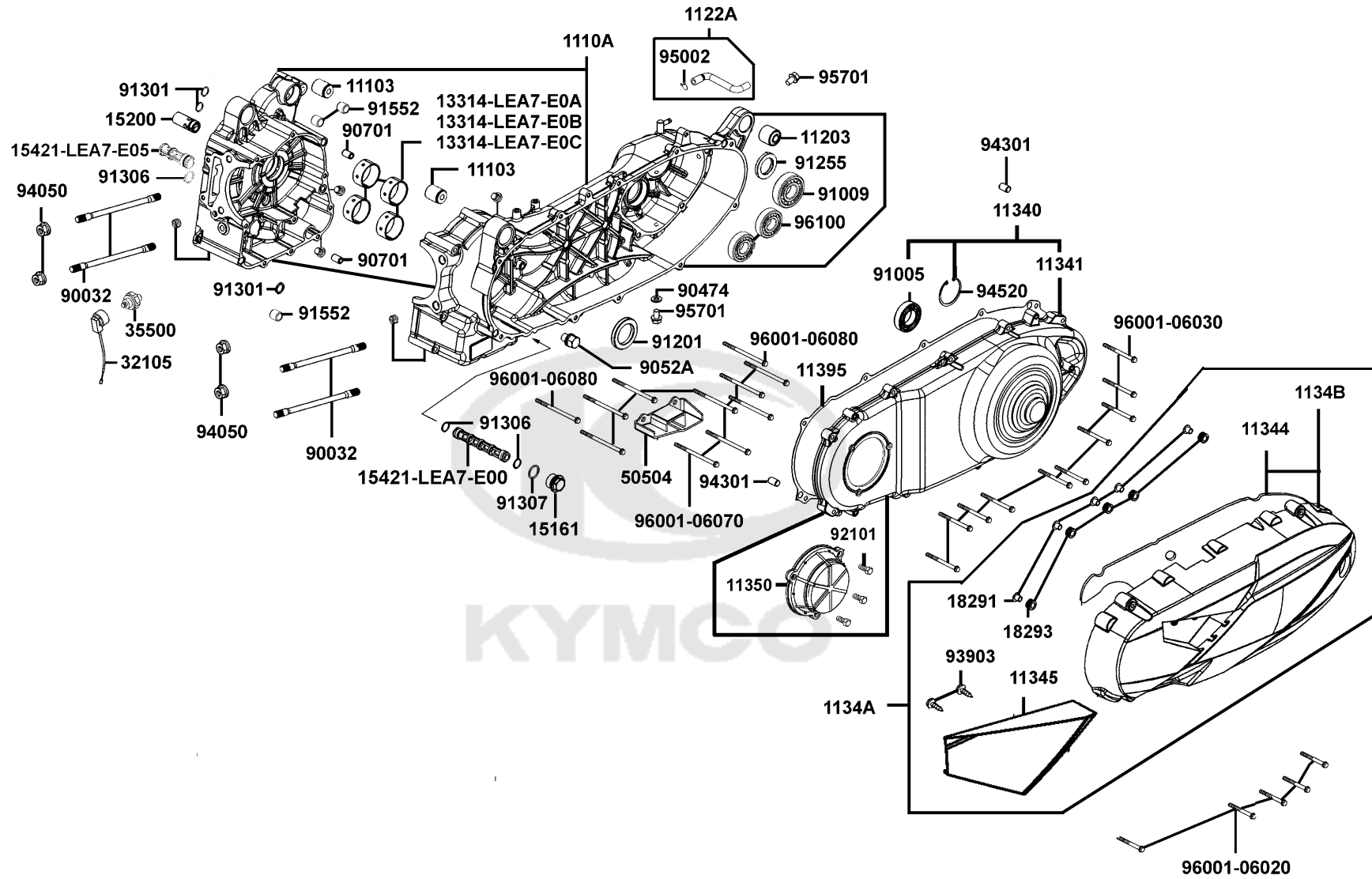
Crank Case



| Sales mark | Ref no | Part no | Description | Reg description | Regd no | E01 |
|------------|--------|----------------|-----------------------------|-----------------------------|---------|-----|
| 18293 | | 18293-KKC4-900 | RUBBER | RUBBER | 5 | |
| 32105 | | 32105-LLJ3-E00 | SUB HARNESS | SUB HARNESS | 1 | |
| 35500 | | 35500-KED9-900 | SW ASSY OIL PRESSURE | SW ASSY OIL PRESSURE | 1 | |
| 50504 | | 50504-ACD5-E00 | STOPPER PLATE MAIN STAND | STOPPER PLATE MAIN STAND | 1 | |
| 90032 | | 90032-LEA7-E00 | BOLT B STUD 10*180 | BOLT B STUD 10*180 | 4 | |
| 90474 | | 90474-3C33-001 | WASHER 8MM | WASHER 8MM | 1 | |
| 9052A | | 9052A-LEB1-900 | BOLT ASSY DRAIN PLUG | BOLT ASSY DRAIN PLUG | 1 | |
| 90701 | | 90701-9E65-001 | PIN DOWEL 10*16 | PIN DOWEL 10*16 | 2 | |
| 91005 | | 91005-LBA7-900 | BEARING BALL RADIAL 6005LLU | BEARING BALL RADIAL 6005LLU | 1 | |
| 91009 | | 91009-KHE7-900 | BRG BALL RADIAL 6205LLU | BRG BALL RADIAL 6205LLU | 1 | |
| 91201 | | 91201-LEA7-E00 | OIL SEAL 35*50*7 | OIL SEAL 35*50*7 | 1 | |
| 91255 | | 91255-LKG7-E00 | OIL SEAL 34*54*8 | OIL SEAL 34*54*8 | 1 | |
| 91301 | | 91301-2L00-001 | O-RING 6.8*1.9 | O-RING 6.8*1.9 | 3 | |
| 91306 | | 91306-PUA5-E00 | O-RING 13*1.5 | O-RING 13*1.5 | 2 | |
| 91307 | | 91307-PUA5-E00 | O-RING 18*2 | O-RING 18*2 | 1 | |
| 91552 | | 91552-LEA7-E00 | COLLAR.10.5MM | COLLAR.10.5MM | 3 | |
| 92101 | | 92101-05012-0G | BOLT HEX 5*12 (G) | BOLT HEX 5*12 (G) | 3 | |
| 93903 | | 93903-25360 | SCREW TAPPING 5*16 | SCREW TAPPING 5*16 | 2 | |
| 94050 | | 94050-10060 | NUT FLANGE 10MM | NUT FLANGE 10MM | 4 | |
| 94301 | | 94301-10160 | DOWEL PIN 10*16 | DOWEL PIN 10*16 | 2 | |

E01

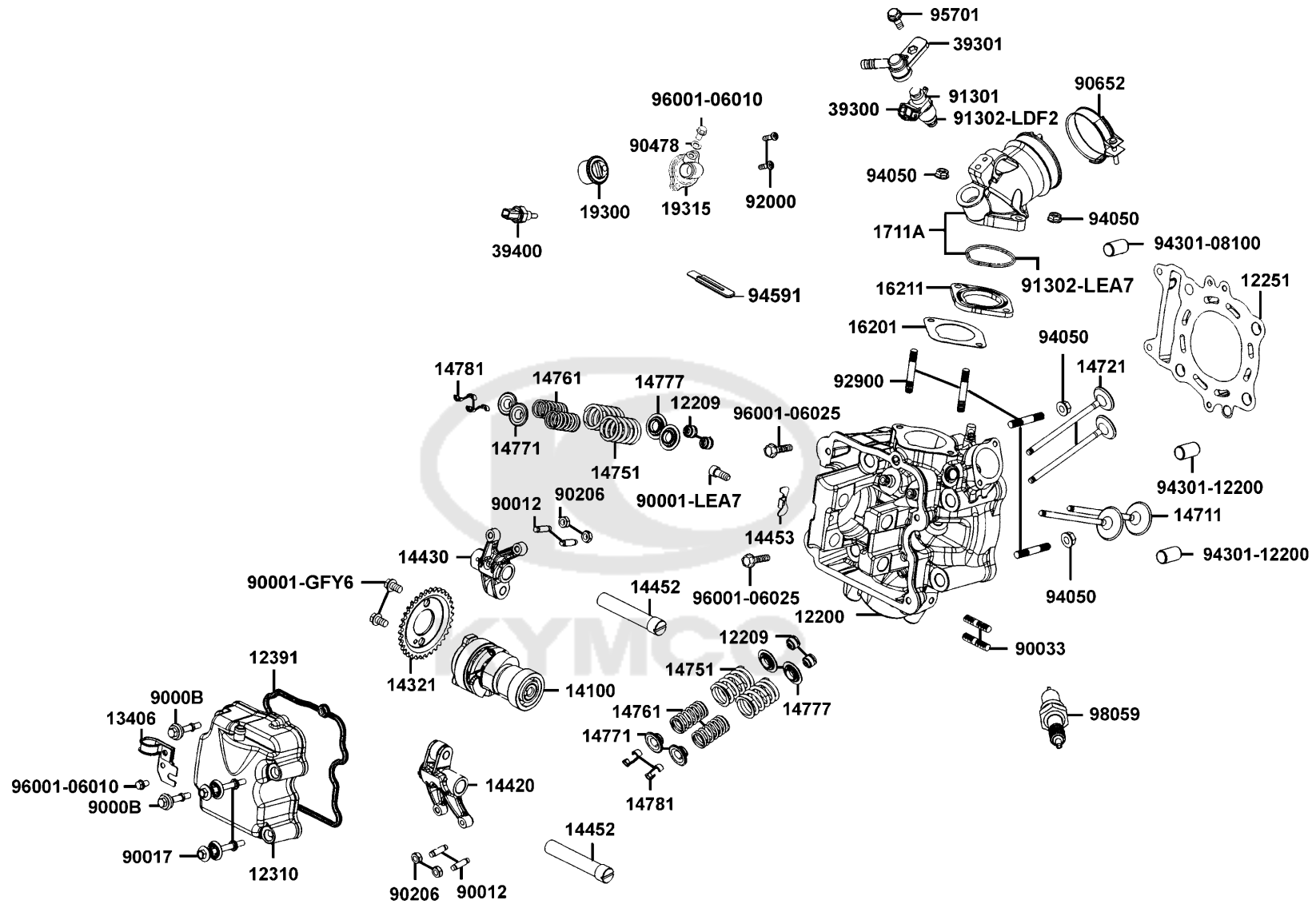
Crank Case



| Sales mark | Ref no | Part no | Description | Reg description | Regd no | E01 |
|-------------|--------|----------------|-------------------------|-------------------------|---------|------------|
| 94520 | | 94520-47000 | CIR CLIP IN 47 | CIR CLIP IN 47 | 1 | |
| 95002 | | 95002-50000 | CLIP C9 TUBE | CLIP C9 TUBE | 1 | |
| 95701 | | 95701-08012-06 | BOLT FLANGE 8*12 | BOLT FLANGE 8*12 | 2 | |
| 96001-06020 | | 96001-06020-06 | BOLT FLANGE SH 6*20 | BOLT FLANGE SH 6*20 | 5 | |
| 96001-06030 | | 96001-06030-06 | BOLT FLANGE SH 6*30 (G) | BOLT FLANGE SH 6*30 (G) | 10 | |
| 96001-06070 | | 96001-06070-06 | BOLT FLANGE SH 6*70 | BOLT FLANGE SH 6*70 | 9 | |
| 96001-06080 | | 96001-06080-06 | BOLT FLANGE SH 6*80(G) | BOLT FLANGE SH 6*80(G) | 2 | |
| 96100 | | 96100-63020-00 | BRG BALL RADIAL 6302 | BRG BALL RADIAL 6302 | 2 | |

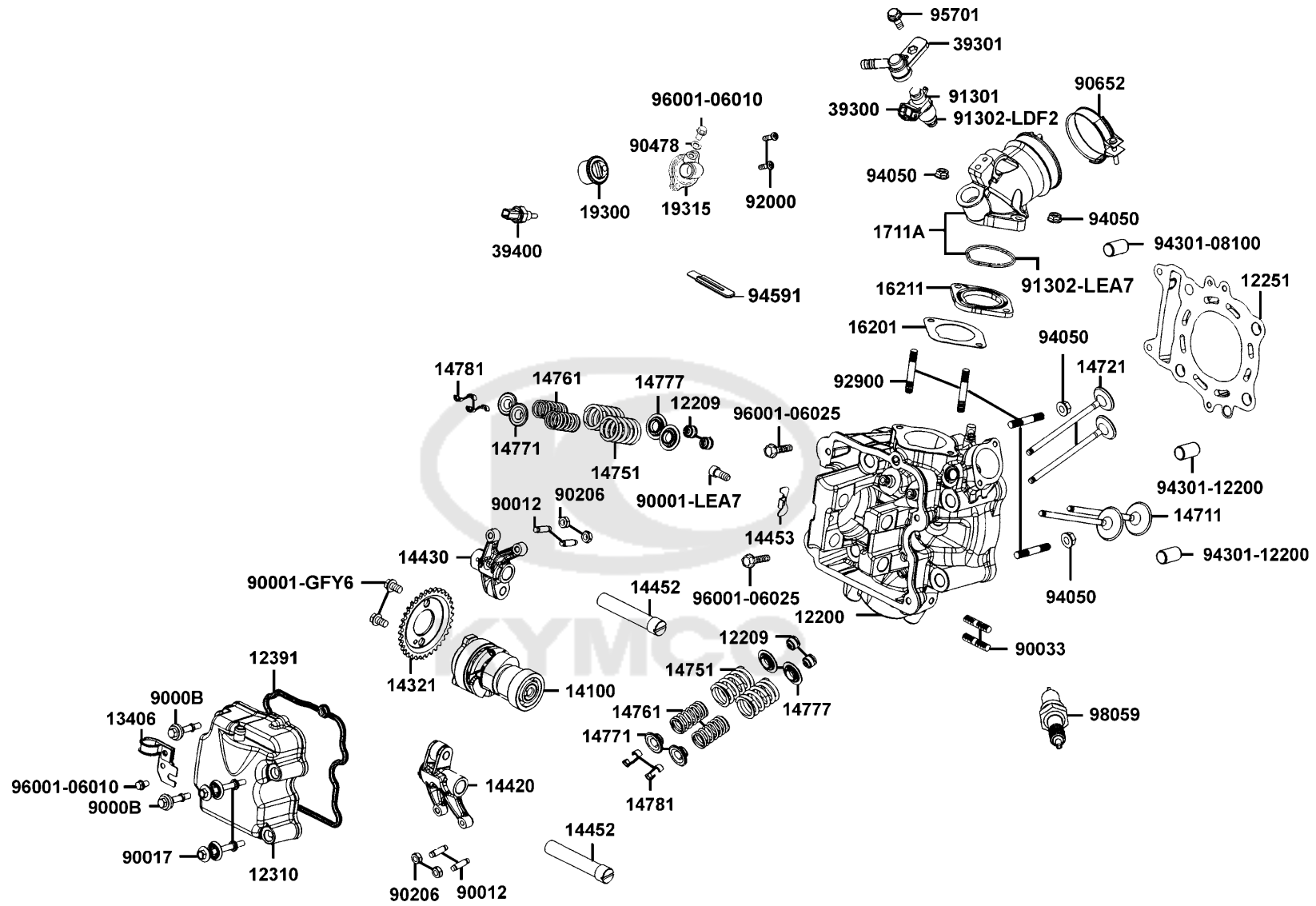


Cylinder Head Cover Cylinder Head



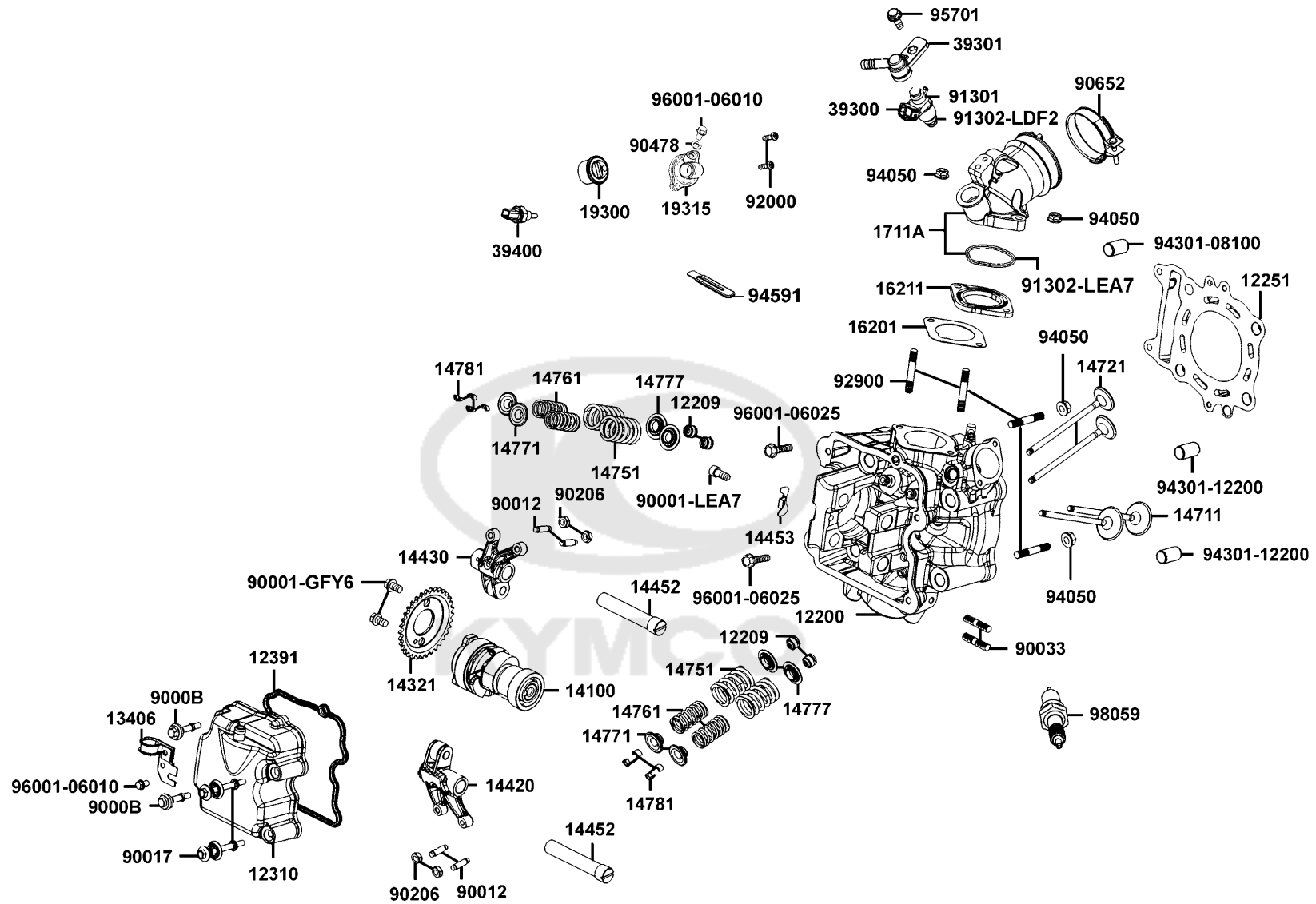
| Sales mark | Ref no | Part no | Description | Reg description | Regd no | E02 |
|------------|--------|----------------|----------------------------|----------------------------|---------|-----|
| | 12200 | 12200-ACD5-E00 | HEAD COMP CYLINDER | HEAD COMP CYLINDER | 1 | |
| | 12209 | 12209-GDB4-68B | SEAL VALVE STEM | SEAL VALVE STEM | 1 | |
| | 12251 | 12251-ACD5-E00 | GASKET CYLINDER HEAD | GASKET CYLINDER HEAD | 1 | |
| | 12310 | 12310-LEA7-E00 | COVER COMP CYLN HEAD | COVER COMP CYLN HEAD | 1 | |
| | 12391 | 12391-LEA7-E00 | GASKET HEAD COVER | GASKET HEAD COVER | 1 | |
| | 13406 | 13406-LEA7-E00 | PLATE FUEL INJECTOR | PLATE FUEL INJECTOR | 1 | |
| | 14100 | 14100-ACD5-E00 | SHAFT COMP CAM | SHAFT COMP CAM | 1 | |
| | 14321 | 14321-LEA7-E00 | SPROCKET CAMSHAFT | SPROCKET CAMSHAFT | 1 | |
| | 14420 | 14420-ACD5-E00 | ARM COMP. EXH VALVE ROCKER | ARM COMP. EXH VALVE ROCKER | 1 | |
| | 14430 | 14430-ACD5-E00 | ARM COMP. IN VALVE ROCKER | ARM COMP. IN VALVE ROCKER | 1 | |
| | 14452 | 14452-LEA7-E00 | SHAFT EX ROCKER ARM | SHAFT EX ROCKER ARM | 2 | |
| | 14453 | 14453-LEA7-E00 | SET PLATE ROCKER ARM SHAFT | SET PLATE ROCKER ARM SHAFT | 1 | |
| | 14711 | 14711-LGE5-E00 | VALVE.IN | VALVE.IN | 1 | |
| | 14721 | 14721-LEA7-E00 | VALVE EXHAUST | VALVE EXHAUST | 2 | |
| | 14751 | 14751-LEA7-E00 | SPRING VALVE OUTER | SPRING VALVE OUTER | 4 | |
| | 14761 | 14761-LEA7-E00 | SPRING VALVE INNER | SPRING VALVE INNER | 4 | |
| | 14771 | 14771-GDB4-680 | RETAINER VALVE SPRING | RETAINER VALVE SPRING | 4 | |
| | 14777 | 14777-LBA2-E00 | SEAT VALVE SPG | SEAT VALVE SPG | 4 | |
| | 14781 | 14781-MFA6-001 | COTTER VALVE | COTTER VALVE | 8 | |
| | 16201 | 16201-LEA7-E00 | GASKET CARB INSULATOR @A | GASKET CARB INSULATOR @A | 1 | |

Cylinder Head Cover Cylinder Head

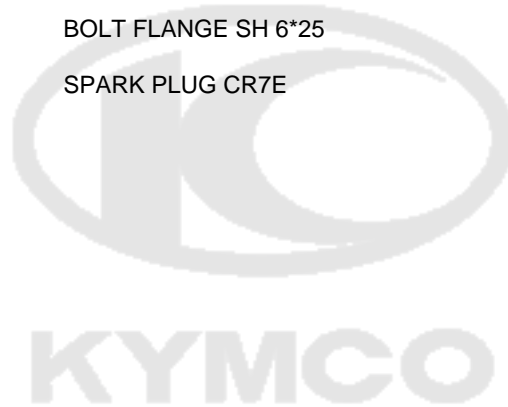


| Sales mark | Ref no | Part no | Description | Reg description | Regd no | E02 |
|------------|--------|----------------|--------------------------|--------------------------|---------|-----|
| 16211 | | 16211-LEA7-E00 | INSULATOR CARB | INSULATOR CARB | 1 | |
| 1711A | | 1711A-LEA7-E05 | PIPE ASSY INLET | PIPE ASSY INLET | 1 | |
| 19300 | | 19300-LFA7-E0A | THERMOSTAT ASSY. | THERMOSTAT ASSY. | 1 | |
| 19315 | | 19315-LFA7-E00 | COVER COMP THERMOSTAT | COVER COMP THERMOSTAT | 1 | |
| 39300 | | 39300-LDF2-M90 | INJECTOR UNIT FUEL | INJECTOR UNIT FUEL | 1 | |
| 39301 | | 39301-LDF2-M91 | CUP COMP FUEL INJECTOR | CUP COMP FUEL INJECTOR | 1 | |
| 39400 | | 39400-LDF2-800 | WATER TEMP SENSOR | WATER TEMP SENSOR | 1 | |
| 90001-GFY6 | | 90001-GFY6-901 | SOCKET BOLT 6*10 (B) | SOCKET BOLT 6*10 (B) | 1 | |
| 90001-LEA7 | | 90001-LEA7-E00 | SOCKET BOLT | SOCKET BOLT | 1 | |
| 9000B | | 9000B-KHD6-900 | BOLT ASSY SPECIAL 6*41.5 | BOLT ASSY SPECIAL 6*41.5 | 2 | |
| 90012 | | 90012-3C33-001 | SCREW TAPPET ADJUSTING | SCREW TAPPET ADJUSTING | 4 | |
| 90017 | | 90017-KKE5-E00 | BOLT ASSY HEAD COVER | BOLT ASSY HEAD COVER | 2 | |
| 90033 | | 90033-KGB4-C00 | BOLT STUD M8X40 (C) | BOLT STUD M8X40 (C) | 2 | |
| 90206 | | 90206-0A01-001 | NUT TAPPET ADJG | NUT TAPPET ADJG | 4 | |
| 90478 | | 90478-7L00-001 | WASHER A 6MM | WASHER A 6MM | 1 | |
| 90652 | | 90652-LDG7-900 | C-HOPE 10-59 | C-HOPE 10-59 | 1 | |
| 91301 | | 91301-LDF2-M90 | O-RING 7.3*2.2 | O-RING 7.3*2.2 | 1 | |
| 91302-LDF2 | | 91302-LDF2-M90 | SEAL RING | SEAL RING | 1 | |
| 91302-LEA7 | | 91302-LEA7-E00 | O-RING | O-RING | 1 | |
| 92000 | | 92000-05016-0G | BOLT HEX 5*16 (G) | BOLT HEX 5*16 (G) | 2 | |

Cylinder Head Cover Cylinder Head

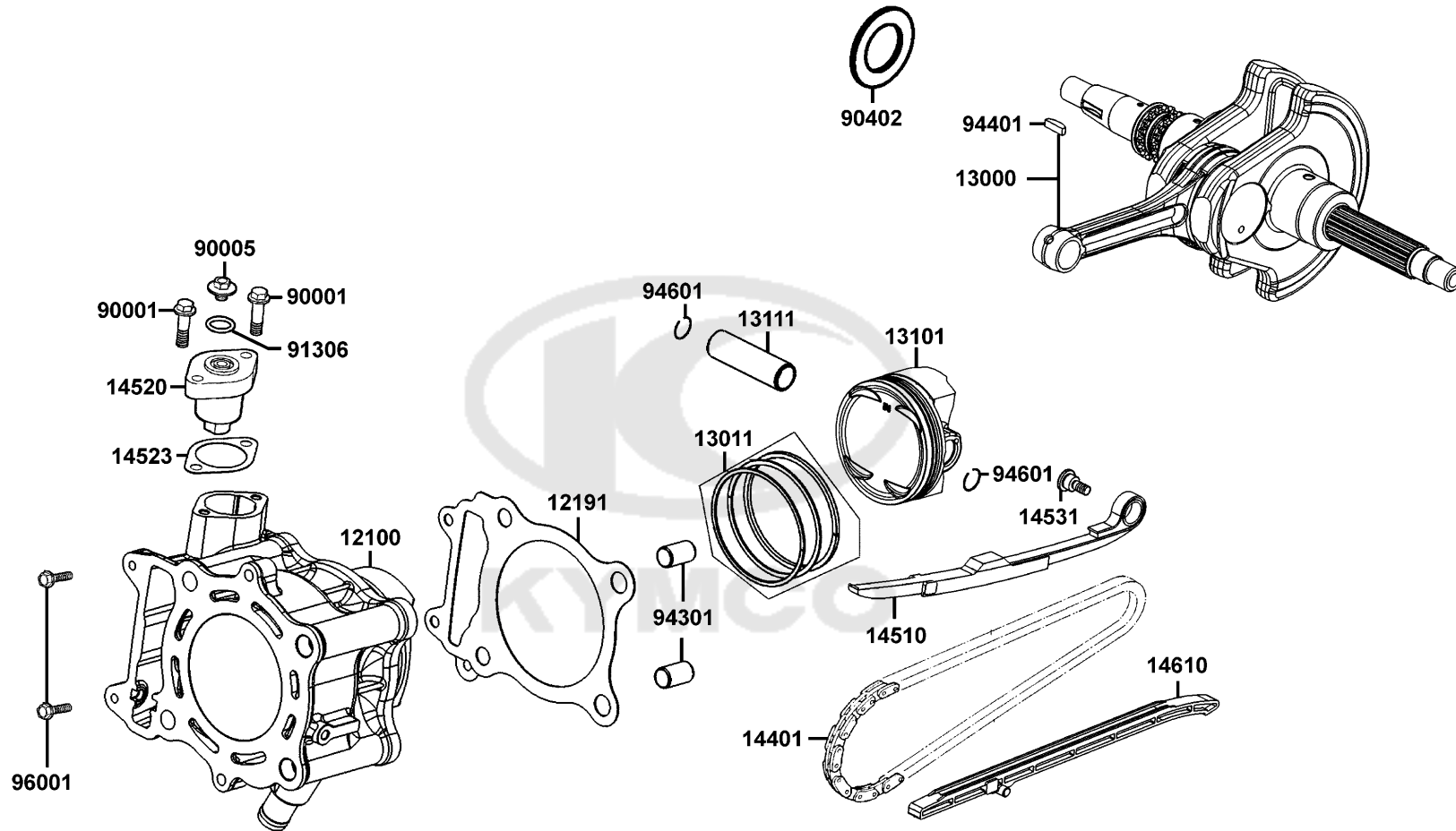


| Sales mark | Ref no | Part no | Description | Reg description | Regd no | E02 |
|------------|-------------|----------------|----------------------|----------------------|---------|------------|
| | 92900 | 92900-06040-0E | BOLT STUD 6*40 | BOLT STUD 6*40 | 4 | |
| | 94050 | 94050-06080 | NUT FLANGE 6MM | NUT FLANGE 6MM | 4 | |
| | 94301-08100 | 94301-08100 | DOWEL PIN 8*10 | DOWEL PIN 8*10 | 1 | |
| | 94301-12200 | 94301-12200 | DOWEL PIN 12*20 | DOWEL PIN 12*20 | 2 | |
| | 94591 | 94591-KFBF-900 | CLIP 2*70 | CLIP 2*70 | 1 | |
| | 95701 | 95701-06016-06 | BOLT FLANGE 6*16 (K) | BOLT FLANGE 6*16 (K) | 1 | |
| | 96001-06010 | 96001-06010-06 | BOLT FLANGE 6*10 | BOLT FLANGE 6*10 | 3 | |
| | 96001-06025 | 96001-06025-06 | BOLT FLANGE SH 6*25 | BOLT FLANGE SH 6*25 | 2 | |
| | 98059 | 98059-57916-00 | SPARK PLUG CR7E | SPARK PLUG CR7E | 1 | |



E03

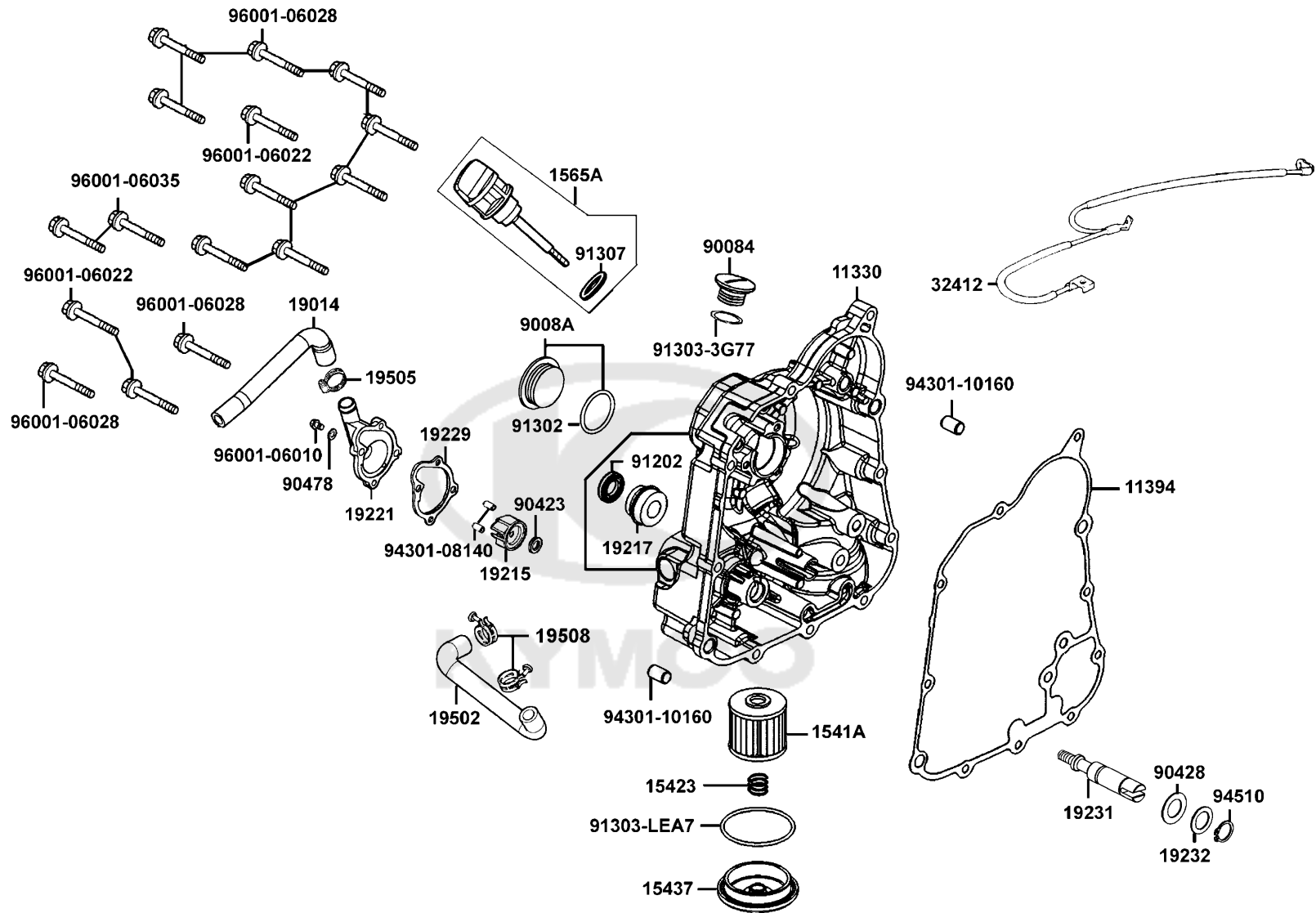
Cylinder Piston Crankshaft



| Sales mark | Ref no | Part no | Description | Reg description | Regd no | E03 |
|------------|--------|----------------|----------------------------|----------------------------|---------|------------|
| 12100 | | 12100-ACD5-E00 | CYLINDER COMP. | CYLINDER COMP. | 1 | |
| 12191 | | 12191-ACD5-E00 | GASKET CYLINDER | GASKET CYLINDER | 1 | |
| 13000 | | 13000-ACD5-E00 | CRANK SHAFT COMP | CRANK SHAFT COMP | 1 | |
| 13011 | | 13011-ACD5-E00 | RING ASSY PISTON | RING ASSY PISTON | 1 | |
| 13101 | | 13101-ACD5-E00 | PISTON | PISTON | 1 | |
| 13111 | | 13111-KKE5-E01 | PIN PISTON | PIN PISTON | 1 | |
| 14401 | | 14401-PWB1-900 | CHAIN CAM | CHAIN CAM | 1 | |
| 14510 | | 14510-LEA7-E00 | TENSIONER CAM CHAIN | TENSIONER CAM CHAIN | 1 | |
| 14520 | | 14520-KED9-900 | LIFTER ASSY TENSIONER | LIFTER ASSY TENSIONER | 1 | |
| 14523 | | 14523-KED9-900 | GASKET TENSIONER LIFTER @A | GASKET TENSIONER LIFTER @A | 1 | |
| 14531 | | 14531-KHE7-900 | PIVOT CAM CHAIN TENSIONER | PIVOT CAM CHAIN TENSIONER | 1 | |
| 14610 | | 14610-LEA7-E00 | GUIDE COMP CAM CHAIN | GUIDE COMP CAM CHAIN | 1 | |
| 90001 | | 90001-GBHB-661 | BOLT FLANGE SH 6*22 | BOLT FLANGE SH 6*22 | 2 | |
| 90005 | | 90005-KED9-900 | BOLT SPECIAL 6*6 | BOLT SPECIAL 6*6 | 1 | |
| 90402 | | 90402-LEA7-E00 | THRUST WASHER 36X60X3 | THRUST WASHER 36X60X3 | 1 | |
| 91306 | | 91306-1E05-691 | O-RING 1.5*9.5 | O-RING 1.5*9.5 | 1 | |
| 94301 | | 94301-12200 | DOWEL PIN 12*20 | DOWEL PIN 12*20 | 2 | |
| 94401 | | 94401-25140 | WOODRUFF KEY 25*14 | WOODRUFF KEY 25*14 | 1 | |
| 94601 | | 94601-KKE5-E01 | CLIP PISTON PIN | CLIP PISTON PIN | 2 | |
| 96001 | | 96001-06025-06 | BOLT FLANGE SH 6*25 | BOLT FLANGE SH 6*25 | 2 | |

E04

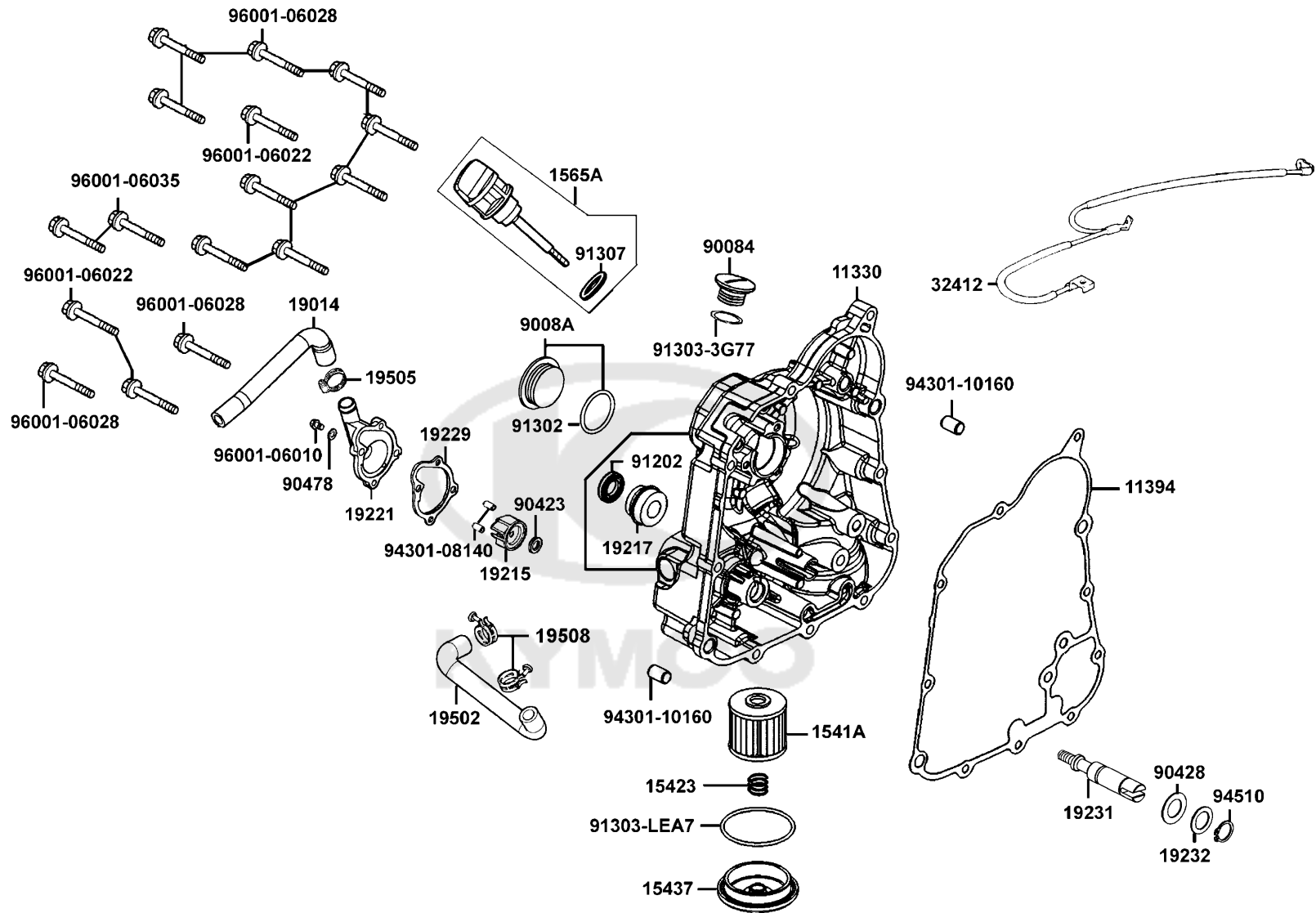
Right Crankcase Cover Water Pump



| Sales mark | Ref no | Part no | Description | Reg description | Regd no | E04 |
|------------|--------|----------------|-----------------------------|-----------------------------|---------|------------|
| ** | 11330 | 11330-LEA7-E00 | COVER COMP RIGHT CRANK CASE | COVER COMP RIGHT CRANK CASE | 1 | |
| | 11394 | 11394-LEA7-E00 | GASKET R COVER | GASKET R COVER | 1 | |
| | 1541A | 1541A-LEA7-E00 | ELEMENT ASSY OIL FILTER | ELEMENT ASSY OIL FILTER | 1 | |
| | 15423 | 15423-KKC3-900 | SPRING CAP OIL | SPRING CAP OIL | 1 | |
| | 15437 | 15437-LEA7-E00 | CAP OIL FILTER | CAP OIL FILTER | 1 | |
| | 1565A | 1565A-GFY6-900 | GAUGE OIL LEVEL ASSY | GAUGE OIL LEVEL ASSY | 1 | |
| | 19014 | 19014-ACD5-E00 | HOSE WATER OUTLET | HOSE WATER OUTLET | 1 | |
| | 19215 | 19215-LEA7-E00 | IMPELLER WATER PUMP | IMPELLER WATER PUMP | 1 | |
| | 19217 | 19217-6G57-024 | SEAL MECHANICAL | SEAL MECHANICAL | 1 | |
| ** | 19221 | 19221-LGE5-E00 | COVER WATER PUMP | COVER WATER PUMP | 1 | |
| | 19229 | 19229-LEA7-E00 | GASKET WATER PUMP | GASKET WATER PUMP | 1 | |
| | 19231 | 19231-LEA7-E00 | SHAFT WATER PUMP | SHAFT WATER PUMP | 1 | |
| | 19232 | 19232-LBA2-E00 | WASHER 21*13.8*1.5 | WASHER 21*13.8*1.5 | 1 | |
| | 19502 | 19502-LEA7-E00 | HOSE B WATER | HOSE B WATER | 1 | |
| | 19505 | 19505-LBA2-E00 | CLAMP WATER HOSE | CLAMP WATER HOSE | 1 | |
| | 19508 | 19508-LBA2-E00 | CLAMP WATER HOSE | CLAMP WATER HOSE | 2 | |
| | 32412 | 32412-ACD5-E00 | CABLE. EARTH | CABLE. EARTH | 1 | |
| ** | 90084 | 90084-KKF9-901 | CAP AC GENERATOR | CAP AC GENERATOR | 1 | |
| ** | 9008A | 9008A-PTA1-900 | CAP ASSY | CAP ASSY | 1 | |
| | 90423 | 90423-KKJ9-001 | WASHER 7.2*13*1.2 | WASHER 7.2*13*1.2 | 1 | |

E04

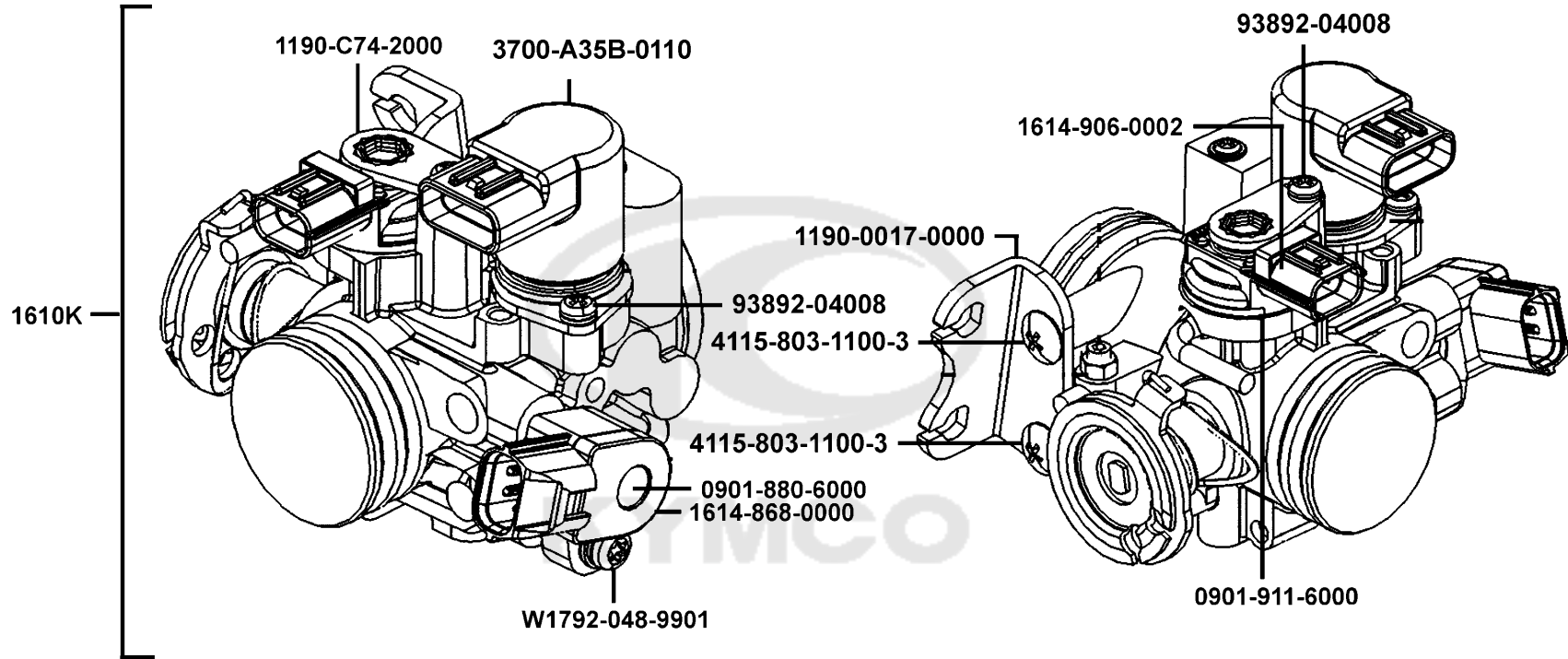
Right Crankcase Cover Water Pump



| Sales mark | Ref no | Part no | Description | Reg description | Regd no | E04 |
|-------------|--------|----------------|-------------------------|-------------------------|---------|------------|
| 90428 | | 90428-9H58-001 | WASHER THRUST 14MM B | WASHER THRUST 14MM B | 1 | |
| 90478 | | 90478-7L00-001 | WASHER A 6MM | WASHER A 6MM | 1 | |
| 91202 | | 91202-LKG2-900 | OIL SEAL 13.7*24*5 | OIL SEAL 13.7*24*5 | 1 | |
| 91302 | | 91302-5G67-004 | O-RING 27.4*2.4 | O-RING 27.4*2.4 | 1 | |
| 91303-3G77 | | 91303-3G77-001 | O-RING 13.8*2.5 | O-RING 13.8*2.5 | 1 | |
| 91303-LEA7 | | 91303-LEA7-E00 | O-RING 52.5x2.5 | O-RING 52.5x2.5 | 1 | |
| 91307 | | 91307-0E35-001 | O RING 18*3 | O RING 18*3 | 1 | |
| 94301-08140 | | 94301-08140 | DOWEL PIN 8*14 | DOWEL PIN 8*14 | 2 | |
| 94301-10160 | | 94301-10160 | DOWEL PIN 10*16 | DOWEL PIN 10*16 | 2 | |
| 94510 | | 94510-14000 | CIR CLIP EXTERNAL 14 | CIR CLIP EXTERNAL 14 | 1 | |
| 96001-06010 | | 96001-06010-00 | BOLT FLANGE SH 6X10 | BOLT FLANGE SH 6X10 | 1 | |
| 96001-06022 | | 96001-06022-06 | BOLT FLANGE SH 6*22 (G) | BOLT FLANGE SH 6*22 (G) | 3 | |
| 96001-06028 | | 96001-06028-06 | BOLT FLANGE SH 6*28 | BOLT FLANGE SH 6*28 | 11 | |
| 96001-06035 | | 96001-06035-06 | BOLT FLANGE SH 6*35 | BOLT FLANGE SH 6*35 | 2 | |

E05

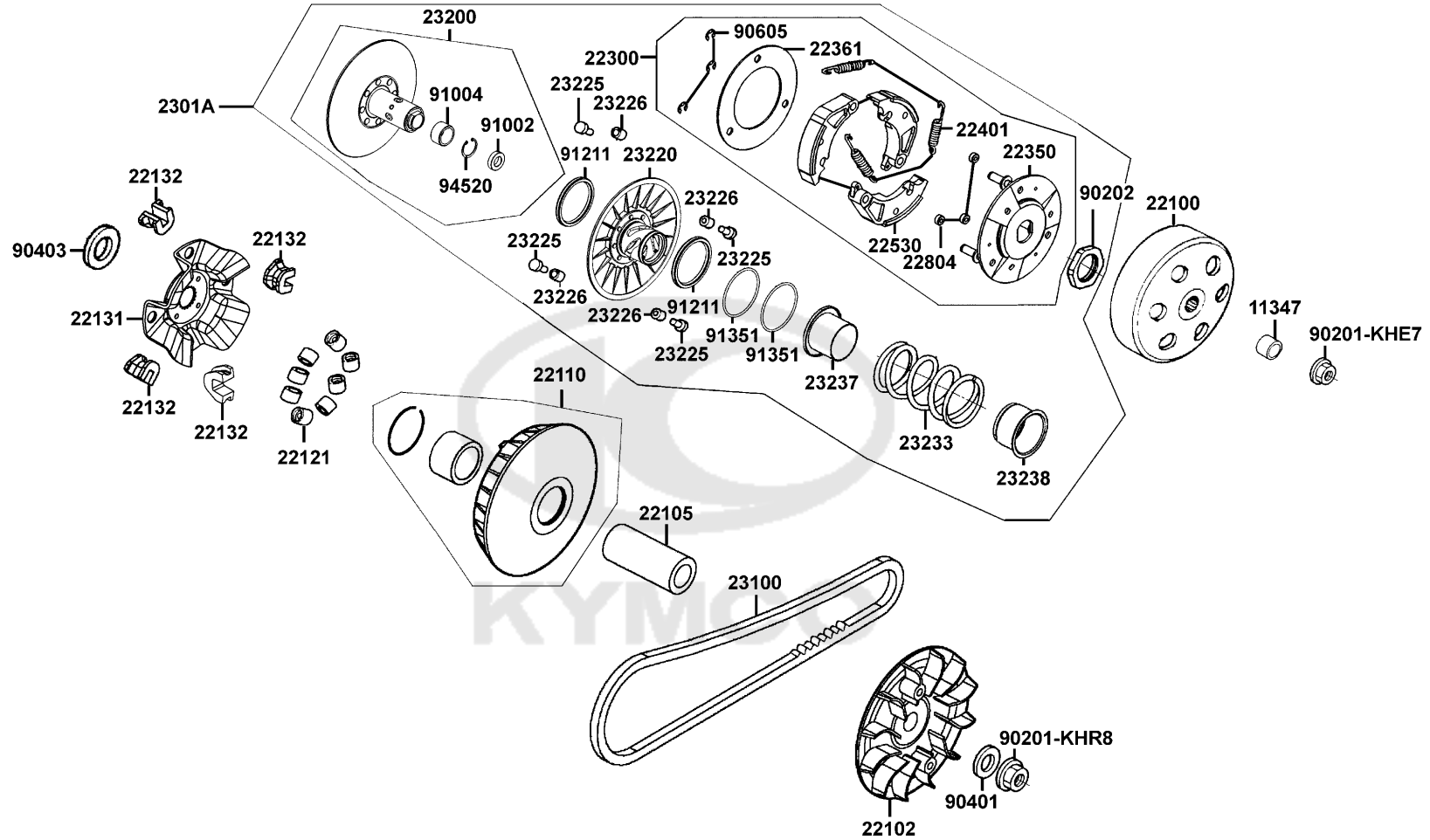
Throttle Body Assy



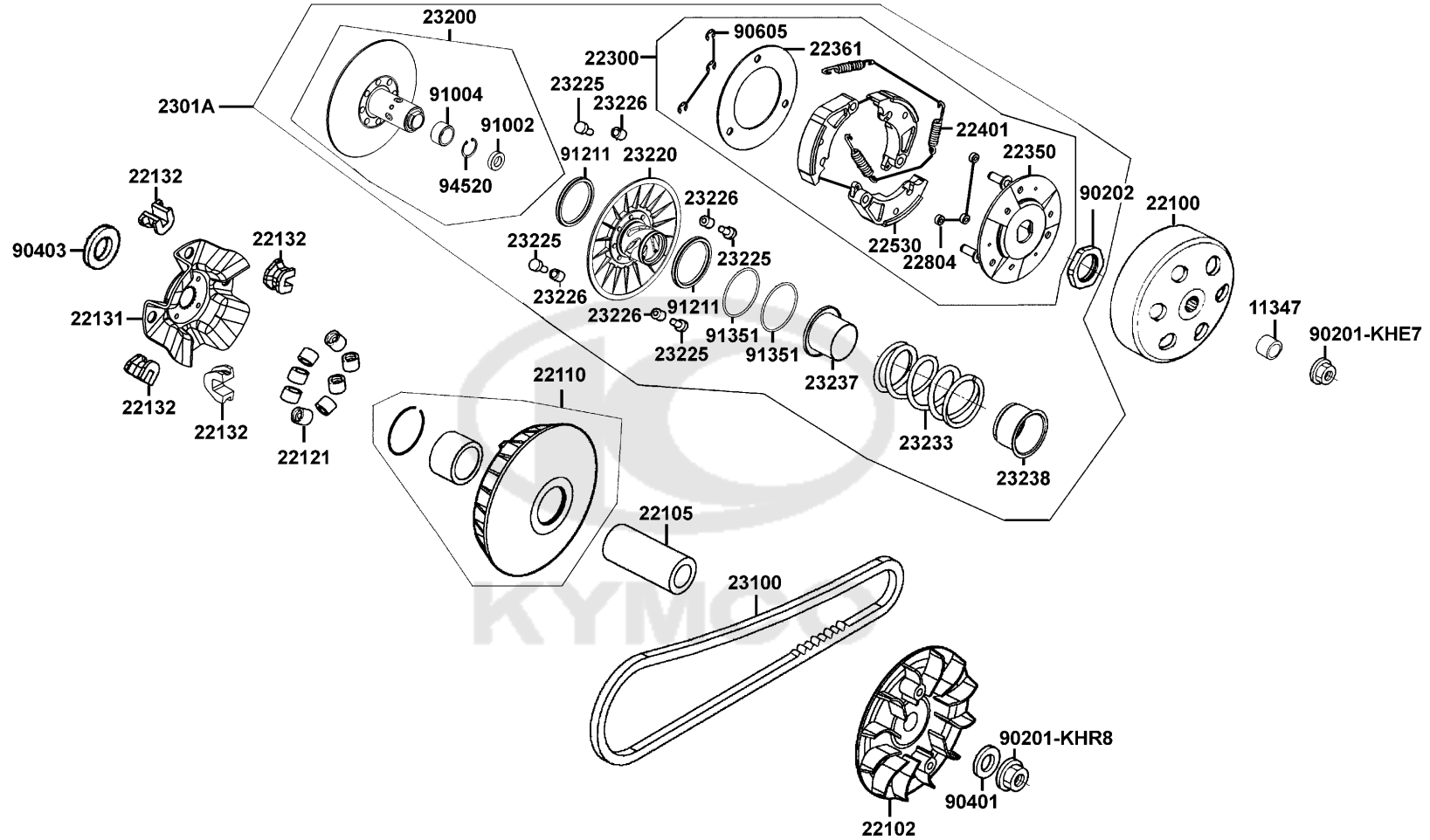
| Sales mark | Ref no | Part no | Description | Reg description | Regd no | E05 |
|------------|-----------------|-----------------|--------------------------|--------------------------|---------|------------|
| | 0901-880-6000 | 0901-880-6000 | O-RING/TPS | O-RING/TPS | 1 | |
| | 0901-911-6000 | 0901-911-6000 | O-RING | O-RING | 1 | |
| | 1190-0017-0000 | 1190-0017-0000 | BRACKET/THROTTLE CABLE | BRACKET/THROTTLE CABLE | 1 | |
| | 1190-C74-2000 | 1190-C74-2000 | STAY PLATE | STAY PLATE | 1 | |
| | 1610K | 1610K-ACD5-E00 | THROTTLE BODY ASSY | THROTTLE BODY ASSY | 1 | |
| | 1614-868-0000 | 1614-868-0000-S | THROTTLE POSITION SENSER | THROTTLE POSITION SENSER | 1 | |
| | 1614-906-0002 | 1614-906-0002 | MAP SENSOR | MAP SENSOR | 1 | |
| | 3700-A35B-0110 | 3700-A35B-0110 | ISC VALVE | ISC VALVE | 1 | |
| | 4115-803-1100-3 | 4115-803-1100-3 | SCREW PAN | SCREW PAN | 2 | |
| | 93892-04008 | 93892-04008-16 | SCREW WASHER 4*8 | SCREW WASHER 4*8 | 1 | |
| | W1792-048-9901 | W1792-048-9901 | SCREW TORX M5*0.8/TPS | SCREW TORX M5*0.8/TPS | 1 | |

E06

Drive Pulley

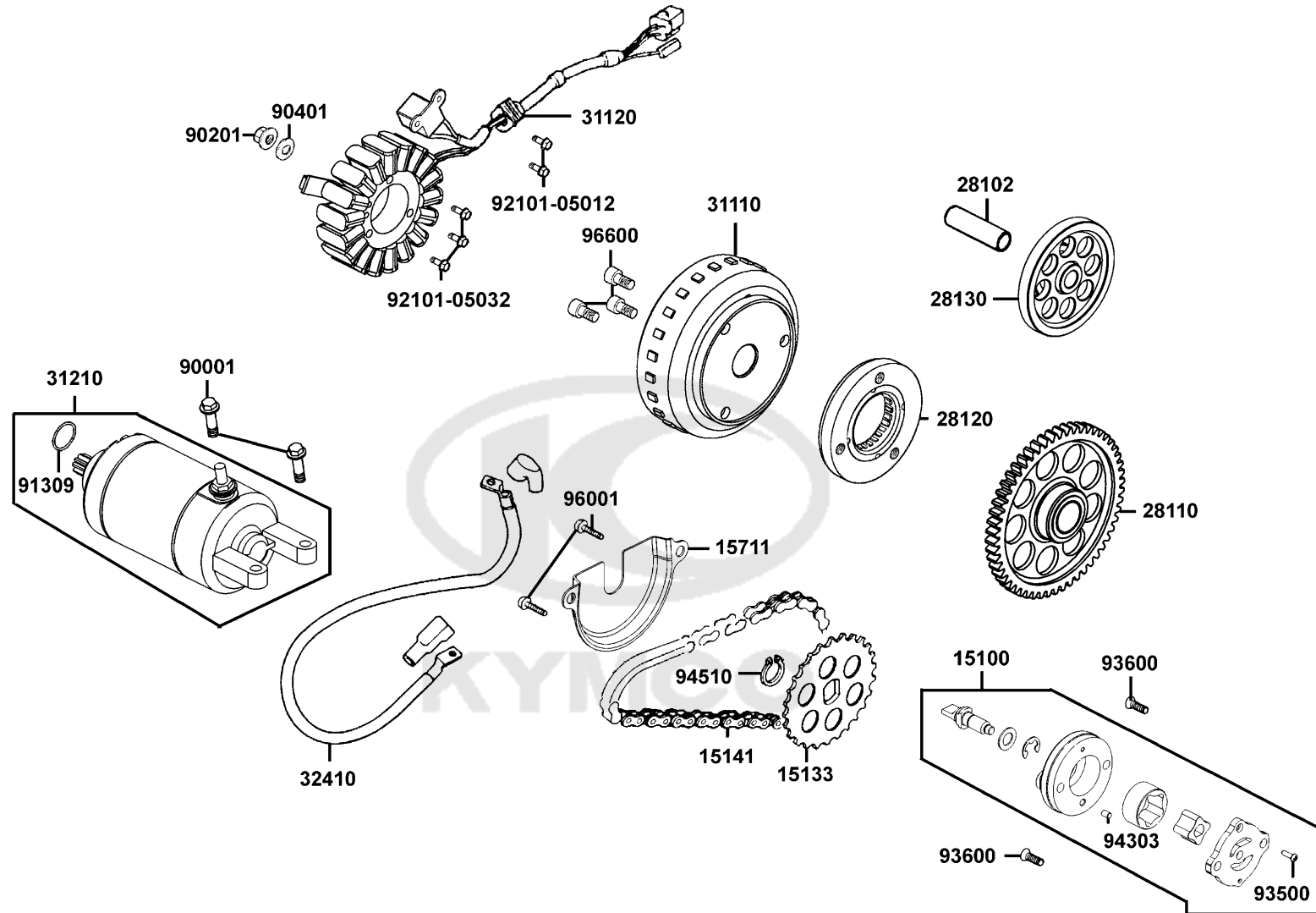


| Sales mark | Ref no | Part no | Description | Reg description | Regd no | E06 |
|------------|--------|----------------|--------------------------|--------------------------|---------|------------|
| 11347 | | 11347-LEA7-E00 | BOSS DRIVE SHAFT | BOSS DRIVE SHAFT | 1 | |
| 22100 | | 22100-LKG7-E00 | OUTER COMP CLUTCH | OUTER COMP CLUTCH | 1 | |
| 22102 | | 22102-LEA7-E00 | FACE DRIVE | FACE DRIVE | 1 | |
| 22105 | | 22105-LGF9-E00 | BOSS DRIVE FACE | BOSS DRIVE FACE | 1 | |
| 22110 | | 22110-ACD5-E00 | FACE COMP MOVABLE DRIVE | FACE COMP MOVABLE DRIVE | 1 | |
| 22121 | | 22121-LEA7-E00 | ROLLER COMP WEIGHT | ROLLER COMP WEIGHT | 8 | |
| 22131 | | 22131-LGE5-E00 | PLATE RAMP | PLATE RAMP | 1 | |
| 22132 | | 22132-PWB1-900 | PIECE SLIDE | PIECE SLIDE | 4 | |
| 22300 | | 22300-ACD5-E00 | PLATE ASSY DRIVE | PLATE ASSY DRIVE | 1 | |
| 22350 | | 22350-ACD5-E00 | PLATE COMP DRIVE | PLATE COMP DRIVE | 1 | |
| 22361 | | 22361-LEA7-E00 | PLATE CLUTCH SIDE | PLATE CLUTCH SIDE | 1 | |
| 22401 | | 22401-LFG2-E80 | SPRING CLUTCH | SPRING CLUTCH | 3 | |
| 22530 | | 22530-LKG7-E00 | WEIGHT CLUTCH | WEIGHT CLUTCH | 3 | |
| 22804 | | 22804-GBB2-001 | RUBBER CLUTCH DAMPER | RUBBER CLUTCH DAMPER | 3 | |
| 2301A | | 2301A-ACD5-E00 | PULLEY SUB ASSY DRIVEN | PULLEY SUB ASSY DRIVEN | 1 | |
| 23100 | | 23100-LEA7-E00 | BELT DRIVE (N6) | BELT DRIVE (N6) | 1 | |
| 23200 | | 23200-LGE5-E00 | FACE ASSY DRIVEN | FACE ASSY DRIVEN | 1 | |
| 23220 | | 23220-ACD5-E00 | FACE COMP MOVABLE DRIVEN | FACE COMP MOVABLE DRIVEN | 1 | |
| 23225 | | 23225-LEA7-E00 | PIN. ROLLER GUIDE | PIN. ROLLER GUIDE | 4 | |
| 23226 | | 23226-LEA7-E00 | ROLLER GUIDE | ROLLER GUIDE | 4 | |



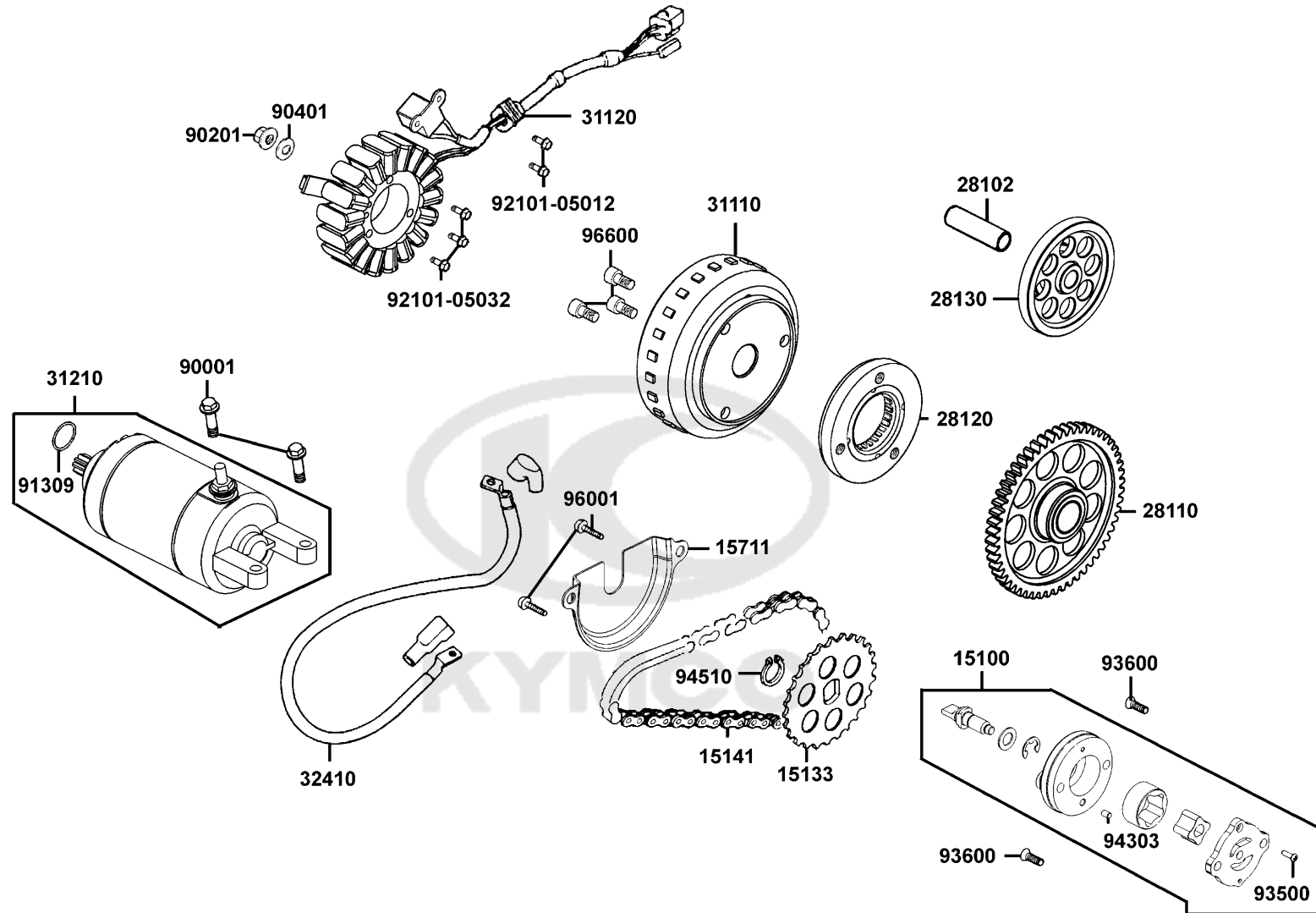
| Sales mark | Ref no | Part no | Description | Reg description | Regd no | E06 |
|------------|--------|----------------|----------------------------|----------------------------|---------|------------|
| 23233 | | 23233-LEA7-E00 | SPG DRIVEN FACE | SPG DRIVEN FACE | 1 | |
| 23237 | | 23237-KHE7-900 | COLLAR SEAL | COLLAR SEAL | 1 | |
| 23238 | | 23238-KHE7-900 | COLLAR SPG | COLLAR SPG | 1 | |
| 90201-KHE7 | | 90201-KHE7-900 | NUT C FLANGE M12 | NUT C FLANGE M12 | 1 | |
| 90201-KHR8 | | 90201-KHR8-75A | NUT FLANGE 14MM | NUT FLANGE 14MM | 1 | |
| 90202 | | 90202-LEA7-E00 | NUT SPECIAL 28mm | NUT SPECIAL 28mm | 1 | |
| 90401 | | 90401-LEA7-E00 | WASHER THRUST 14*28*2 | WASHER THRUST 14*28*2 | 1 | |
| 90403 | | 90403-LEA7-E00 | THRUST WASHER 20.2X35X2.35 | THRUST WASHER 20.2X35X2.35 | 1 | |
| 90605 | | 90605-1F66-721 | CIR CLIP 7MM | CIR CLIP 7MM | 3 | |
| 91002 | | 91002-GGA7-70A | BRG BALL RADIAL 6902U | BRG BALL RADIAL 6902U | 1 | |
| 91004 | | 91004-LEA7-E00 | BRG.NEEDLE 25X32X14 | BRG.NEEDLE 25X32X14 | 1 | |
| 91211 | | 91211-KHE7-900 | SEAL DRIVEN FACE | SEAL DRIVEN FACE | 2 | |
| 91351 | | 91351-KHE7-900 | O-RING PINION CAP | O-RING PINION CAP | 2 | |
| 94520 | | 94520-28000 | CIR CLIP IN 28 | CIR CLIP IN 28 | 1 | |

Starting Motor Generator



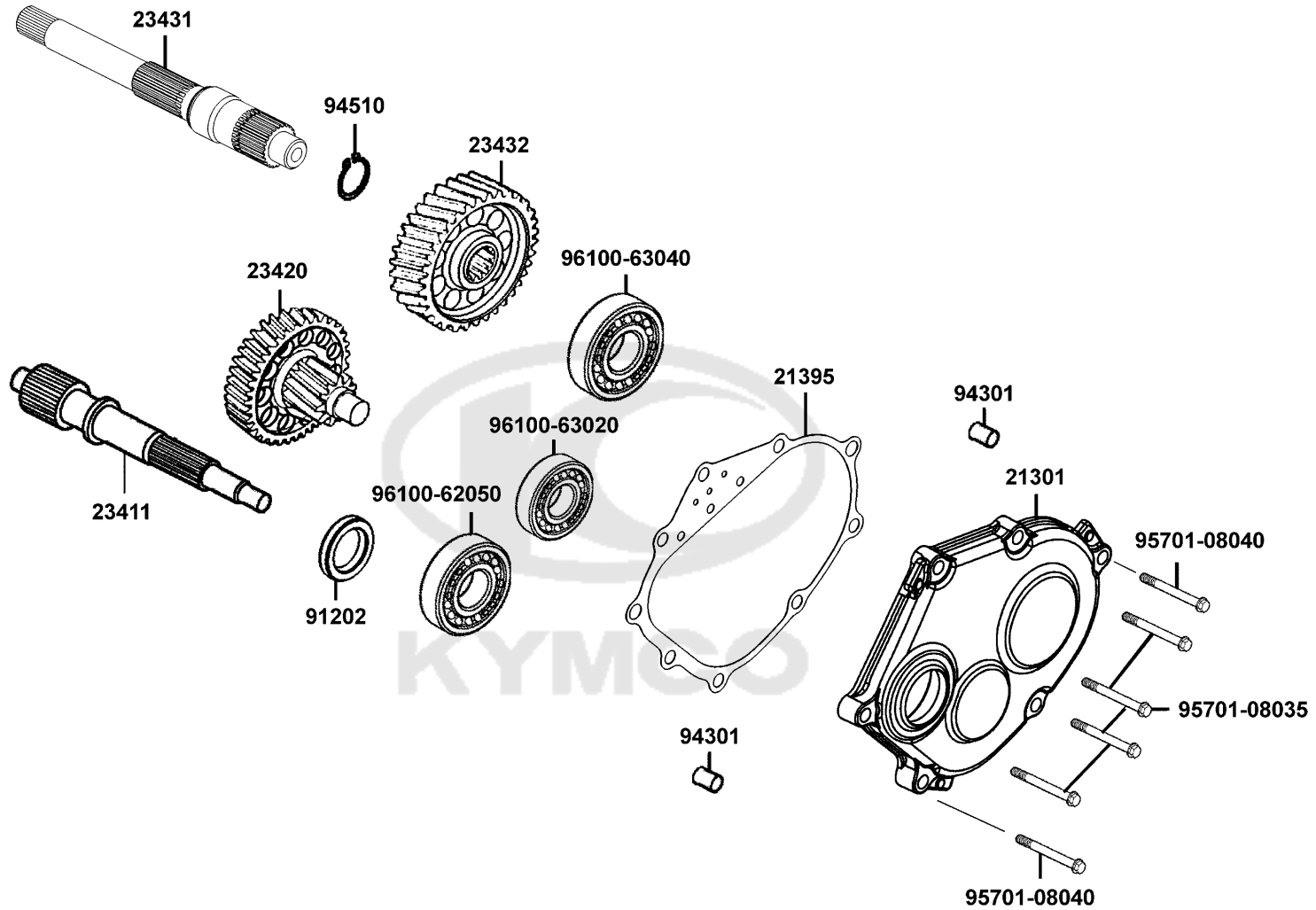
| Sales mark | Ref no | Part no | Description | Reg description | Regd no | E07 |
|------------|-------------|----------------|---------------------------|---------------------------|---------|-----|
| | 15100 | 15100-LEA7-E00 | PUMP ASSY OIL | PUMP ASSY OIL | 1 | |
| | 15133 | 15133-LGF9-E00 | SPROCKET OIL PUMP | SPROCKET OIL PUMP | 1 | |
| | 15141 | 15141-LGF9-E00 | CHAIN OIL PUMP | CHAIN OIL PUMP | 1 | |
| | 15711 | 15711-LEA7-E00 | SEPARATOR OIL | SEPARATOR OIL | 1 | |
| | 28102 | 28102-LEA7-E00 | SHAFT STARTER REDUCTION | SHAFT STARTER REDUCTION | 1 | |
| | 28110 | 28110-LEA7-E00 | GEAR COMP STARTING CLUTCH | GEAR COMP STARTING CLUTCH | 1 | |
| | 28120 | 28120-LDB2-E00 | ONE WAY CLUTCH | ONE WAY CLUTCH | 1 | |
| | 28130 | 28130-LEA7-E00 | GEAR STARTER REDUCTION | GEAR STARTER REDUCTION | 1 | |
| | 31110 | 31110-ACD5-E00 | FLYWHEEL COMP. | FLYWHEEL COMP. | 1 | |
| | 31110 | 31110-ACD5-E0A | FLYWHEEL COMP. | FLYWHEEL COMP. | 1 | |
| | 31120 | 31120-ACD5-E00 | STATOR COMP | STATOR COMP | 1 | |
| | 31120 | 31120-ACD5-E0A | STATOR COMP | STATOR COMP | 1 | |
| | 31210 | 31210-LEA7-E00 | MOTOR UNIT..STARTER | MOTOR UNIT..STARTER | 1 | |
| | 32410 | 32410-ACD5-E00 | CABLE. START MOTOR | CABLE. START MOTOR | 1 | |
| | 90001 | 90001-GBHB-661 | BOLT FLANGE SH 6*22 | BOLT FLANGE SH 6*22 | 2 | |
| | 90201 | 90201-KHR8-75A | NUT FLANGE 14MM | NUT FLANGE 14MM | 1 | |
| | 90401 | 90401-KKJ9-001 | WASHER THRUST 14*28*2 | WASHER THRUST 14*28*2 | 1 | |
| | 91309 | 91309-4E25-004 | O-RING 24.4*3.1 | O-RING 24.4*3.1 | 1 | |
| | 92101-05012 | 92101-05012-0G | BOLT HEX 5*12 (G) | BOLT HEX 5*12 (G) | 2 | |
| | 92101-05032 | 92101-05032-0G | BOLT HEX 5*32 | BOLT HEX 5*32 | 1 | |

Starting Motor Generator



| Sales mark | Ref no | Part no | Description | Reg description | Regd no | E07 |
|------------|--------|----------------|---------------------|---------------------|---------|------------|
| 93500 | | 93500-03010-0F | SCREW PAN 3X10 (G) | SCREW PAN 3X10 (G) | 1 | |
| 93600 | | 93600-06032-0F | SCREW FLAT 6*32 | SCREW FLAT 6*32 | 2 | |
| 94303 | | 94303-04065 | DOWEL PIN 4*6.5 | DOWEL PIN 4*6.5 | 1 | |
| 94510 | | 94510-10000 | CIR CLIP EX 10MM | CIR CLIP EX 10MM | 1 | |
| 96001 | | 96001-06012-06 | BOLT FLANGE SH 6*12 | BOLT FLANGE SH 6*12 | 2 | |
| 96600 | | 96600-08015-16 | SOCKET BOLT 8*15 | SOCKET BOLT 8*15 | 4 | |

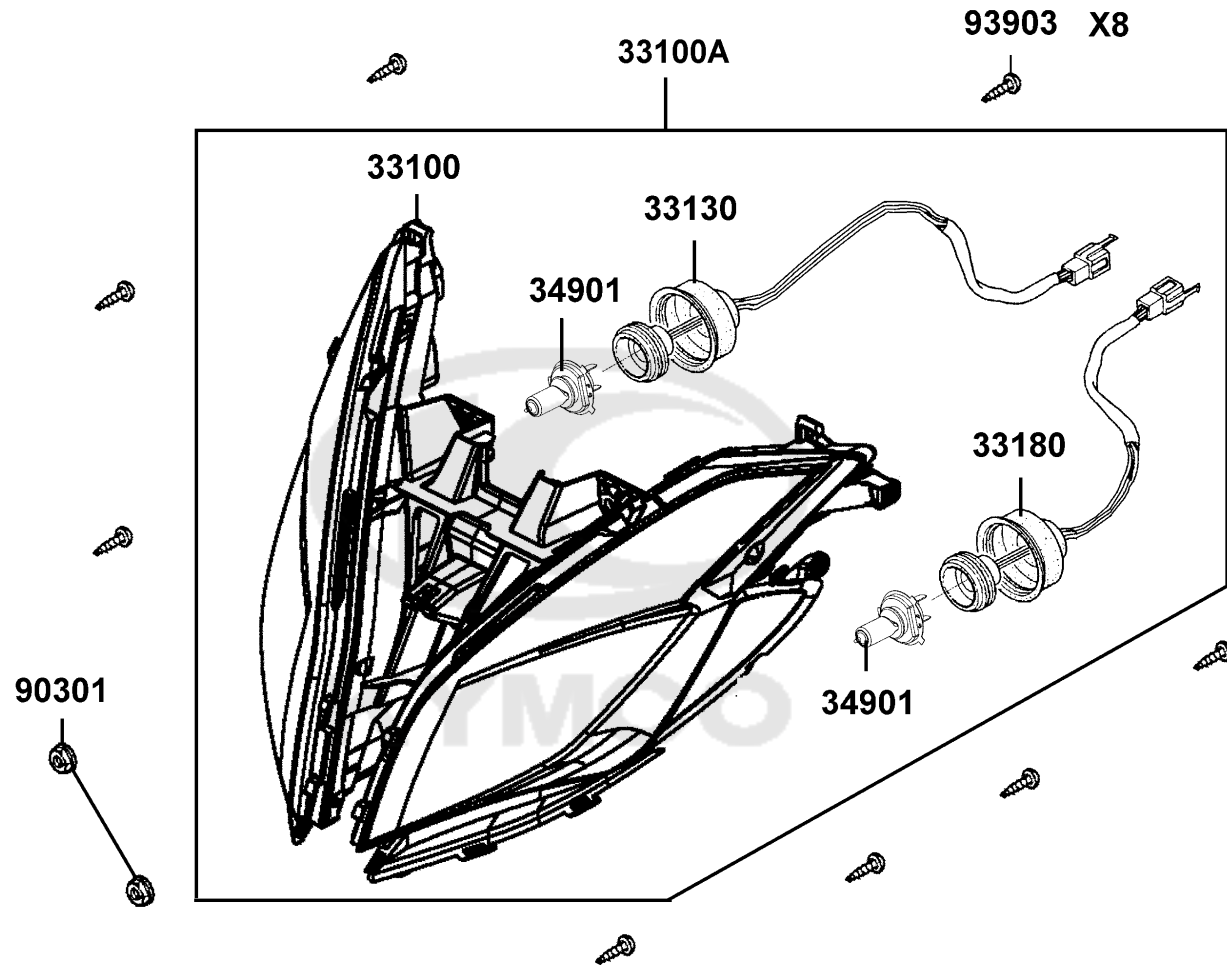





| Sales mark | Ref no | Part no | Description | Reg description | Regd no | E08 |
|-------------|--------|----------------|--------------------------|--------------------------|---------|------------|
| 21301 | | 21301-LEA7-E00 | COVER MISSION | COVER MISSION | 1 | |
| 21395 | | 21395-LEA7-E00 | GASKET MISSION COVER | GASKET MISSION COVER | 1 | |
| 23411 | | 23411-LEA7-E00 | SHAFT DRIVE | SHAFT DRIVE | 1 | |
| 23420 | | 23420-LEA7-E00 | SHAFT COMP COUNTER | SHAFT COMP COUNTER | 1 | |
| 23431 | | 23431-LEA7-E00 | SHAFT FINAL | SHAFT FINAL | 1 | |
| 23432 | | 23432-LEA7-E00 | GEAR FINAL | GEAR FINAL | 1 | |
| 91202 | | 91202-LEA7-E00 | OIL SEAL 25*35*6 | OIL SEAL 25*35*6 | 1 | |
| 91202 | | 91202-LEA7-E0A | OIL SEAL 25*35*6 | OIL SEAL 25*35*6 | 1 | |
| 94301 | | 94301-10160 | DOWEL PIN 10*16 | DOWEL PIN 10*16 | 2 | |
| 94510 | | 94510-25000 | CIR CLIP EXTERNAL 25 | CIR CLIP EXTERNAL 25 | 1 | |
| 95701-08035 | | 95701-08035-06 | BOLT FLANGE 8*28 | BOLT FLANGE 8*28 | 7 | |
| 95701-08040 | | 95701-08040-06 | BOLT FLANGE 8x40 (G) | BOLT FLANGE 8x40 (G) | 2 | |
| 96100-62050 | | 96100-62050-00 | BEARING BALL RADIAL 6205 | BEARING BALL RADIAL 6205 | 1 | |
| 96100-63020 | | 96100-63020-00 | BRG BALL RADIAL 6302 | BRG BALL RADIAL 6302 | 1 | |
| 96100-63040 | | 96100-63040-00 | BRG BALL RADIAL 6304 | BRG BALL RADIAL 6304 | 1 | |

F01

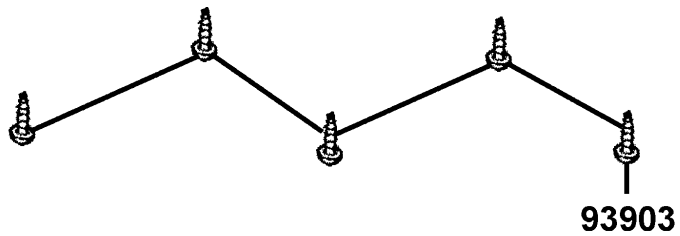
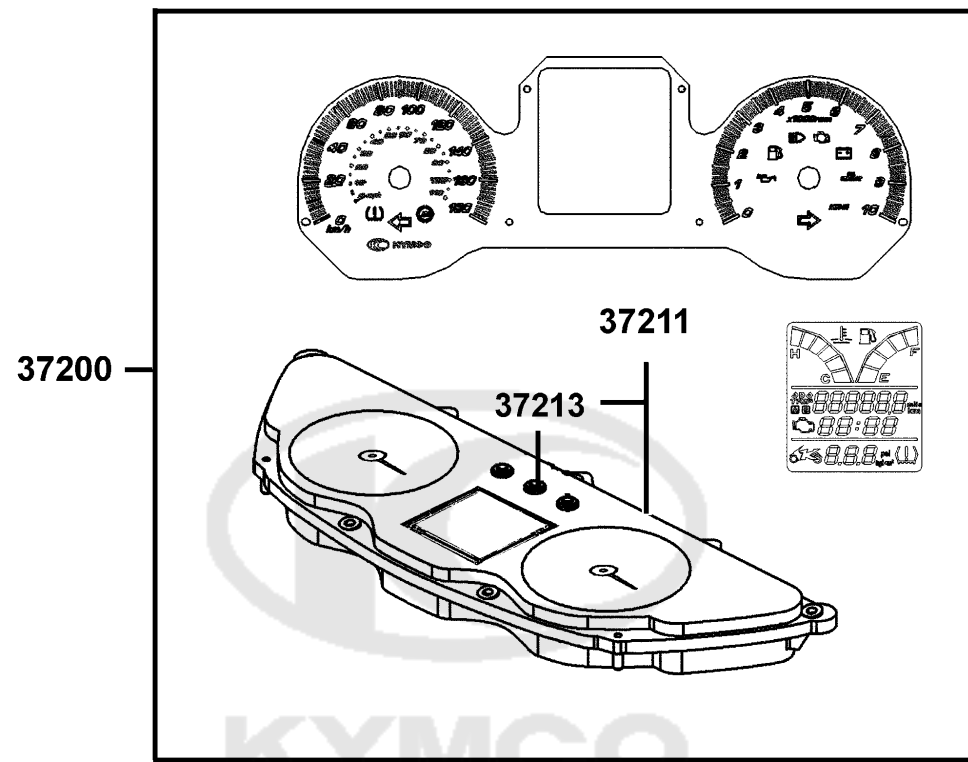
Head Light



| Sales mark | Ref no | Part no | Description | Reg description | Regd no | F01 |
|---|--------|----------------|----------------------|----------------------|---------|-----|
| | 33100 | 33100-ACD5-315 | LIGHT UNIT.HEAD | LIGHT UNIT.HEAD | 1 | |
| | 33100A | 33100-ACD5-E00 | LIGHT ASSY HEAD | LIGHT ASSY HEAD | 1 | |
| | 33130 | 33130-LKG7-E00 | SOCKET COMP R RUBBER | SOCKET COMP R RUBBER | 1 | |
| | 33180 | 33180-LKG7-E00 | SOCKET COMP L RUBBER | SOCKET COMP L RUBBER | 1 | |
| | 34901 | 34901-LEC8-E00 | BULB HEAD LIGHT | BULB HEAD LIGHT | 1 | |
| | 90301 | 90301-6D34-671 | NUT FLANGE 6MM | NUT FLANGE 6MM | 2 | |
| | 93903 | 93903-35360 | SCREW TAPPING 5*16 | SCREW TAPPING 5*16 | 8 | |
|  | | | | | | |

F02

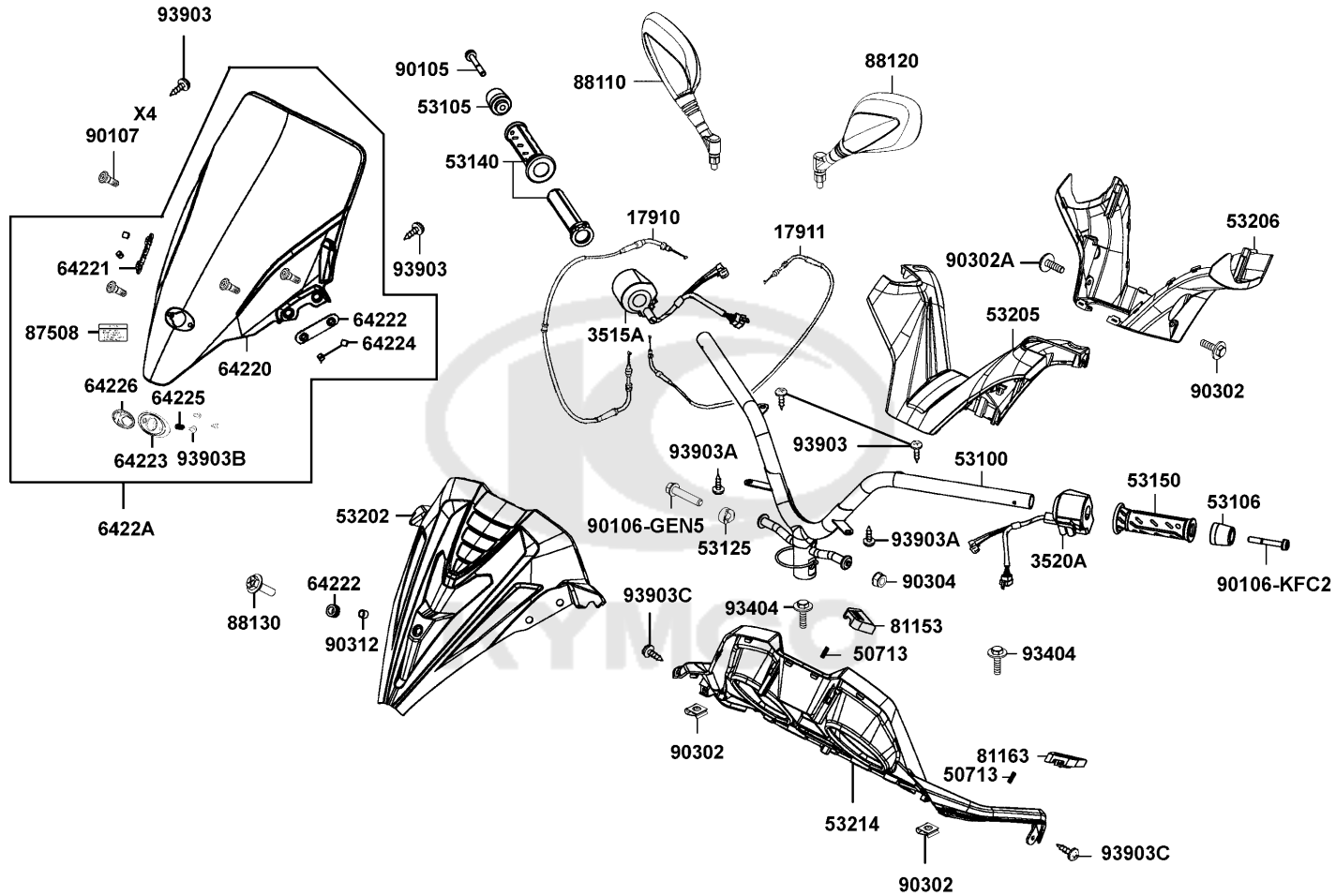
Speed meter



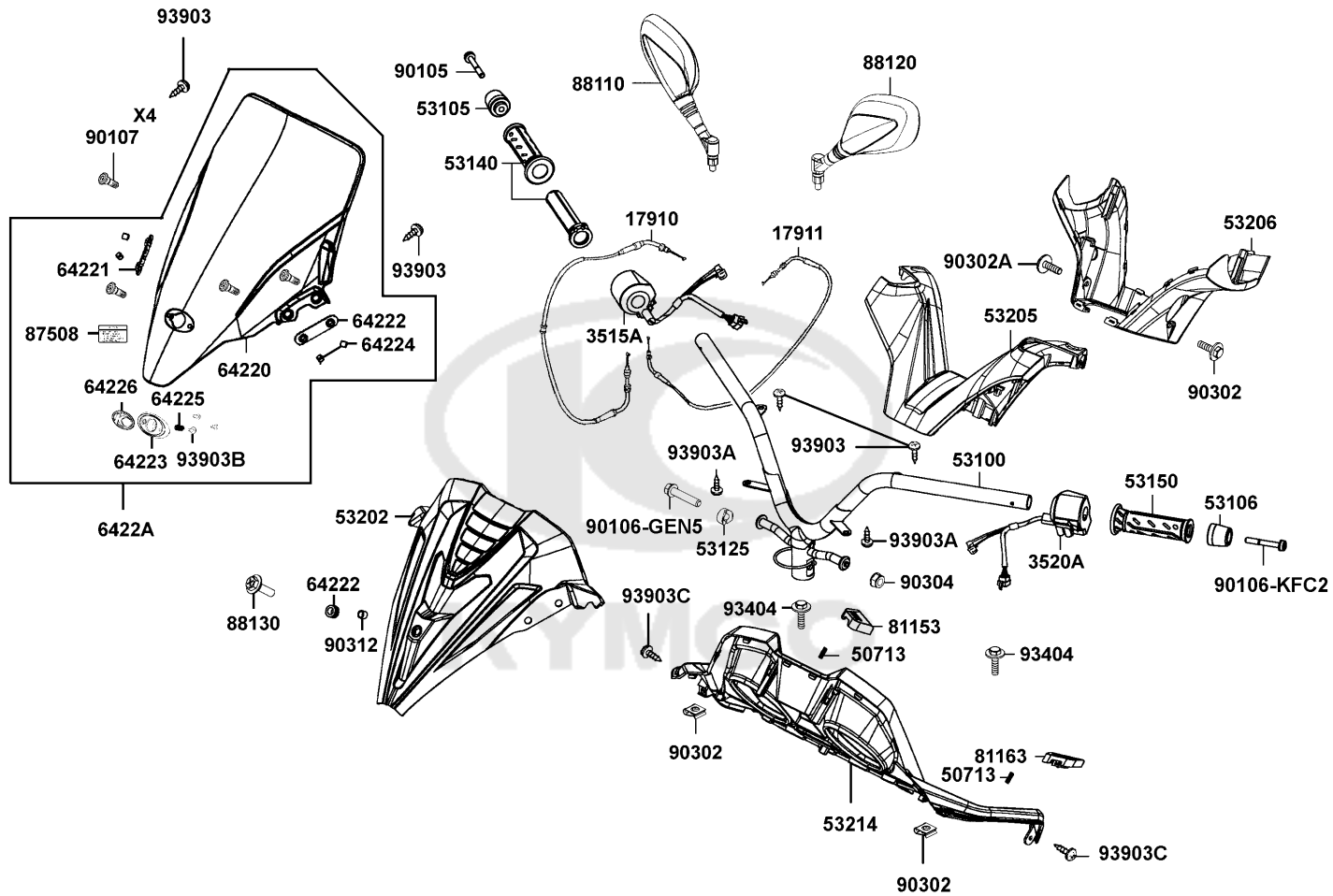
| Sales mark | Ref no | Part no | Description | Reg description | Regd no | F02 |
|------------|--------|---------|-------------|-----------------|---------|------------|
|------------|--------|---------|-------------|-----------------|---------|------------|

| | | | | | | |
|-------|--|----------------|--------------------|--------------------|---|--|
| 37200 | | 37200-ACD5-E01 | METER ASSY.SPEED | METER ASSY.SPEED | 1 | |
| 37211 | | 37211-LEA7-E00 | LENS ASSY | LENS ASSY | 1 | |
| 37213 | | 37213-KKE5-E00 | BUTTON | BUTTON | 3 | |
| 93903 | | 93903-35360 | SCREW TAPPING 5*16 | SCREW TAPPING 5*16 | 5 | |

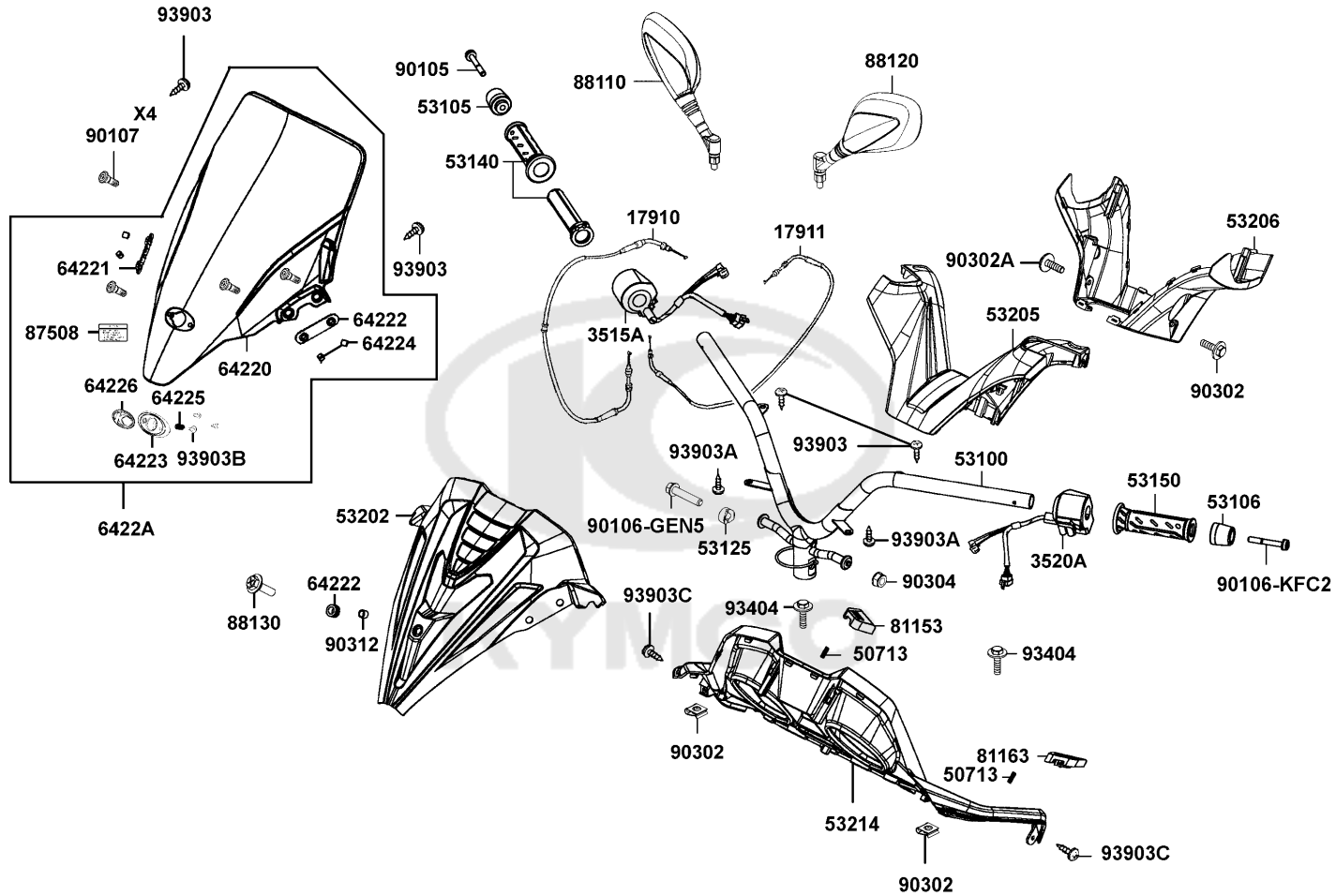




| Sales mark | Ref no | Part no | Description | Reg description | Regd no | F03 |
|------------|--------|----------------|-----------------------------------|-----------------------------------|---------|-----|
| | 17910 | 17910-ACD5-E00 | CABLE A COMP THROT | CABLE A COMP THROT | 1 | |
| | 17911 | 17911-ACD5-E00 | CABLE B COMP THROT | CABLE B COMP THROT | 1 | |
| | 3515A | 3515A-LKF5-B70 | SW. ASSY RH. HANDLE COMP (A.H.C.) | SW. ASSY RH. HANDLE COMP (A.H.C.) | 1 | |
| | 3520A | 3520A-LKF5-E01 | SW. ASSY.. RH. HANDLE COMP. | SW. ASSY.. RH. HANDLE COMP. | 1 | |
| | 50713 | 50713-KEB7-900 | SPRING | SPRING | 2 | |
| | 53100 | 53100-ACD5-E00 | HANDLE COMP STRG | HANDLE COMP STRG | 1 | |
| ** | 53105 | 53105-ACD5-E00 | END R HANDLE | END R HANDLE | 1 | |
| ** | 53106 | 53106-ACD5-E00 | END L HANDLE | END L HANDLE | 1 | |
| | 53125 | 53125-LEA7-E00 | COLLAR HANDLE SET | COLLAR HANDLE SET | 1 | |
| ** | 53140 | 53140-LHJ3-900 | GRIP COMP THROT | GRIP COMP THROT | 1 | |
| ** | 53150 | 53150-LEA6-900 | GRIP COMP L HANDLE | GRIP COMP L HANDLE | 1 | |
| ** | 53202 | 53202-ACD5-E00 | COVER METER FR | COVER METER FR | 1 | |
| ** | 53205 | 53205-ACD5-E00 | COVER HANDLE UP | COVER HANDLE UP | 1 | |
| ** | 53206 | 53206-ACD5-E00 | COVER HANDLE LOW | COVER HANDLE LOW | 1 | |
| ** | 53214 | 53214-ACD5-E00 | COVER METER | COVER METER | 1 | |
| ** | 64220 | 64220-ACD5-E00 | WIND SCREEN | WIND SCREEN | 1 | |
| | 64221 | 64221-LEA7-E00 | RUBBER R WIND SCREEN | RUBBER R WIND SCREEN | 1 | |
| | 64222 | 64222-LEA7-E00 | RUBBER L WIND SCREEN | RUBBER L WIND SCREEN | 2 | |
| ** | 64223 | 64223-LEA7-E00 | PLUG WIND SCREEN | PLUG WIND SCREEN | 1 | |
| | 64224 | 64224-LEA7-E00 | COLLAR WIND SCREEN | COLLAR WIND SCREEN | 4 | |



| Sales mark | Ref no | Part no | Description | Reg description | Regd no | F03 |
|------------|------------|----------------|-------------------------|-------------------------|---------|-----|
| | 64225 | 64225-LEA7-E00 | SPRING COSMETIC K-LOGO | SPRING COSMETIC K-LOGO | 1 | |
| | 64226 | 64226-LEA7-E00 | COSMETIC K-LOGO | COSMETIC K-LOGO | 1 | |
| ** | 6422A | 6422A-ACD5-E00 | WIND SCREEN ASSY | WIND SCREEN ASSY | 1 | |
| ** | 81153 | 81153-ACD5-E00 | COVER R LOCKLESS | COVER R LOCKLESS | 1 | |
| ** | 81163 | 81163-ACD5-E00 | COVER L LOCKLESS | COVER L LOCKLESS | 1 | |
| ** | 87508 | 87508-KKC4-E00 | LABEL CLEANNESS CAUYION | LABEL CLEANNESS CAUYION | 1 | |
| | 88110 | 88110-ACD5-E00 | MIRROR ASSY R BACK | MIRROR ASSY R BACK | 1 | |
| | 88120 | 88120-ACD5-E00 | MIRROR ASSY L BACK | MIRROR ASSY L BACK | 1 | |
| | 88130 | 88130-KEBE-900 | BOLT SPECIAL | BOLT SPECIAL | 1 | |
| | 90105 | 90105-KHB4-900 | BOLT WASH M8*60 | BOLT WASH M8*60 | 1 | |
| | 90106-GEN5 | 90106-GEN5-901 | BOLT FLANGE 10*50 | BOLT FLANGE 10*50 | 1 | |
| | 90106-KFC2 | 90106-KFC2-900 | BOLT SPECIAL 8MM | BOLT SPECIAL 8MM | 1 | |
| | 90107 | 90107-LEA7-E00 | BOLT SPECIAL 8MM | BOLT SPECIAL 8MM | 4 | |
| | 90302 | 90302-LKB9-900 | NUT SPRING 5MM | NUT SPRING 5MM | 2 | |
| | 90302A | 90302-LLB1-E00 | BOLT-WASHER 5*12 | BOLT-WASHER 5*12 | 2 | |
| | 90304 | 90304-LEA1-900 | NUT U FLANGE 10MM | NUT U FLANGE 10MM | 1 | |
| | 90312 | 90312-LLJ3-E00 | COLLAR WIND SCREEN | COLLAR WIND SCREEN | 1 | |
| | 93404 | 93404-06016-06 | BOLT WASHER 6*16 | BOLT WASHER 6*16 | 2 | |
| | 93903 | 93903-25260 | SCREW TAPPING 5*12 | SCREW TAPPING 5*12 | 4 | |
| | 93903A | 93903-35360 | SCREW TAPPING 5*16 | SCREW TAPPING 5*16 | 2 | |



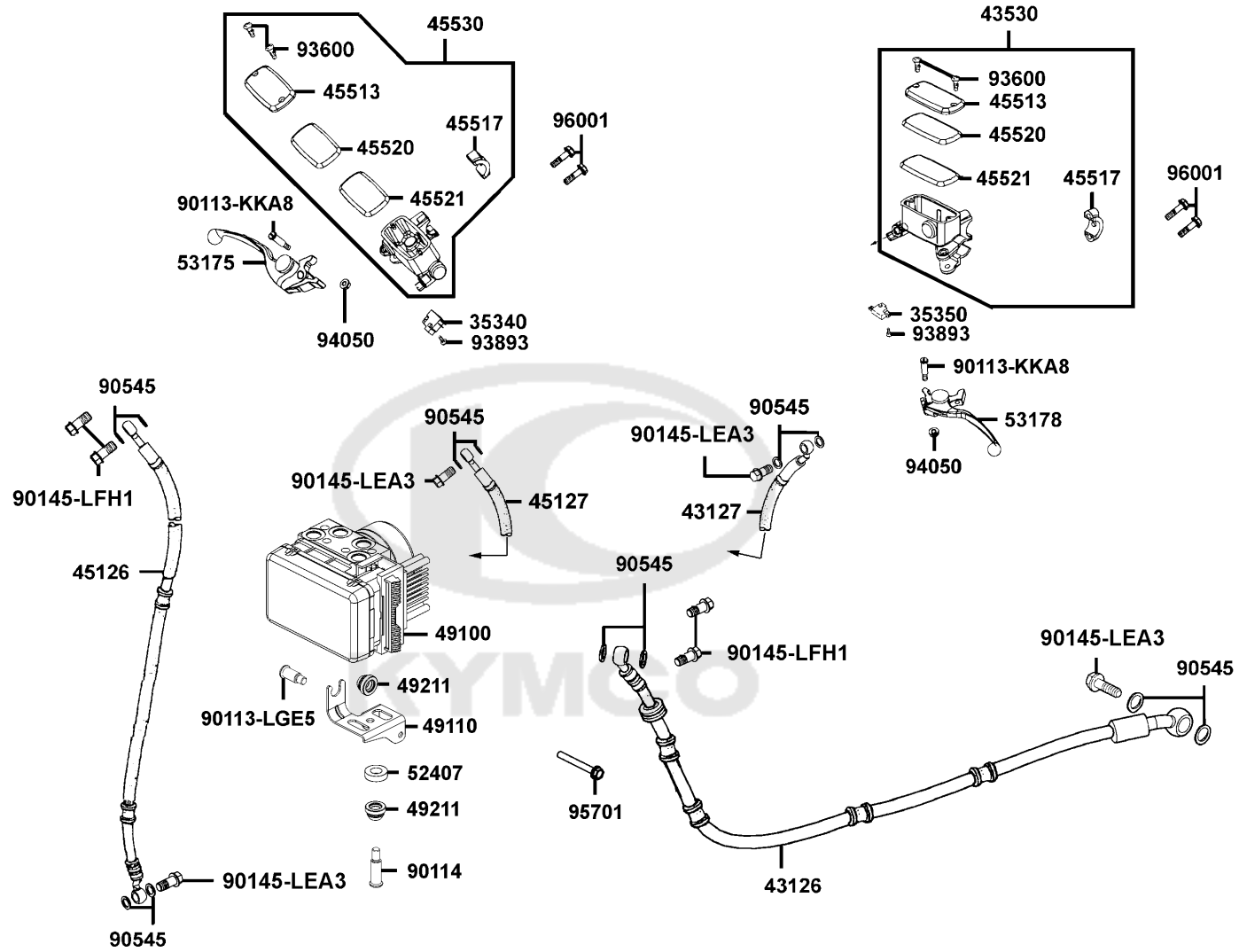
| Sales mark | Ref no | Part no | Description | Reg description | Regd no | F03 |
|------------|--------|---------|-------------|-----------------|---------|------------|
|------------|--------|---------|-------------|-----------------|---------|------------|

| | | | | | | |
|--------|--|----------------|--------------------|--------------------|---|--|
| 93903B | | 93903-KEB7-900 | SCREW WASHER 4*12 | SCREW WASHER 4*12 | 3 | |
| 93903C | | 93903-LHJ8-900 | SCREW TAPPING 5*14 | SCREW TAPPING 5*14 | 2 | |



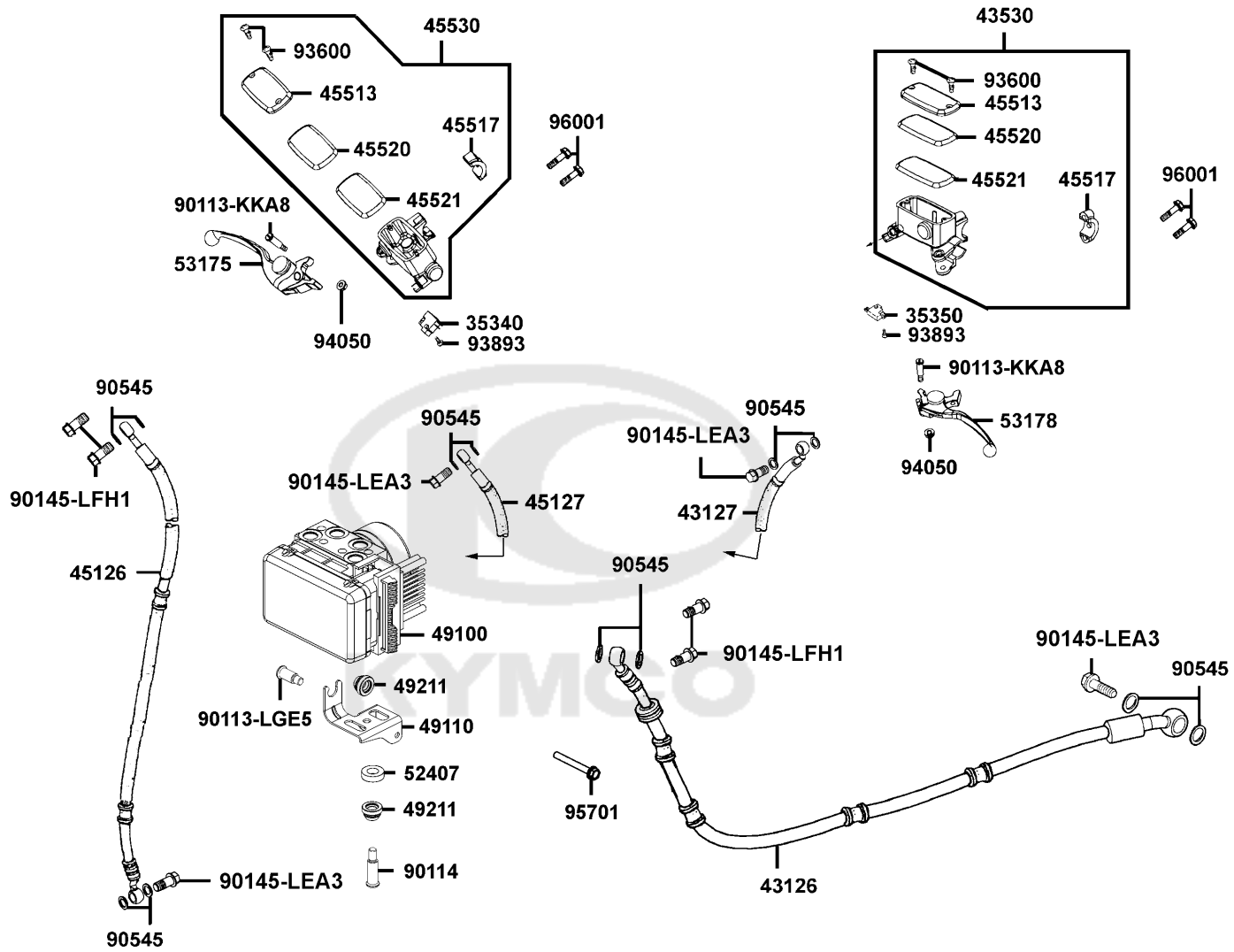
F04

Master Cylinder

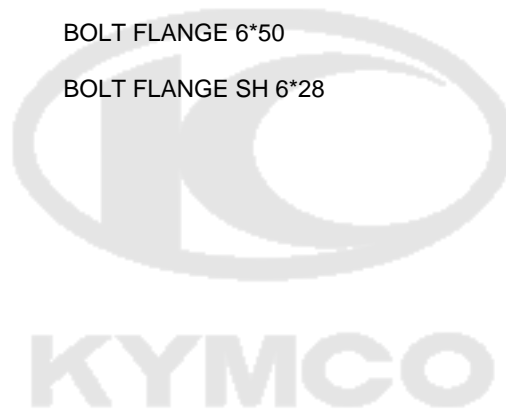


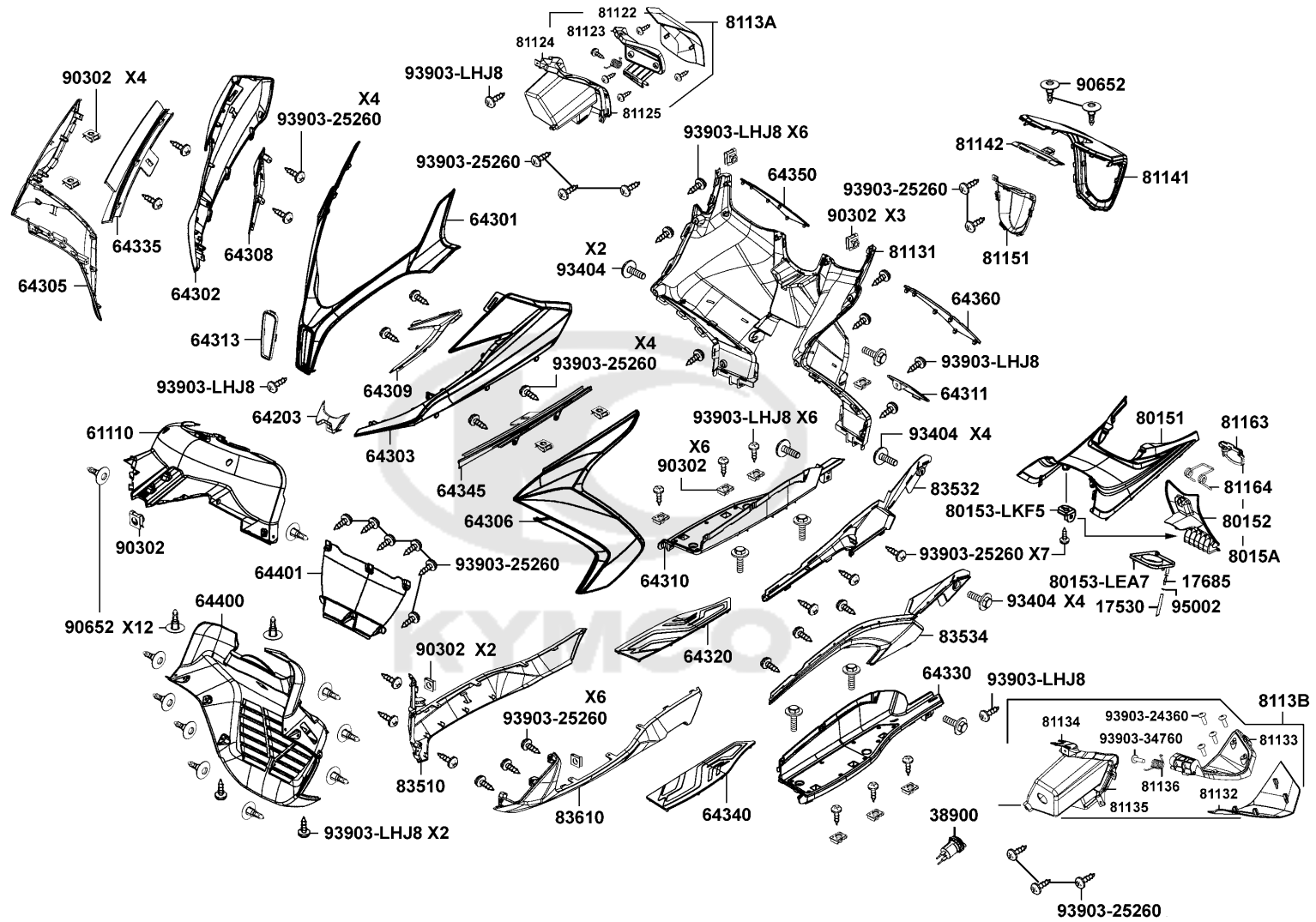
| Sales mark | Ref no | Part no | Description | Reg description | Regd no | F04 |
|------------|------------|----------------|------------------------------|------------------------------|---------|-----|
| | 35340 | 35340-LKF5-E01 | SW ASSY FR STOP | SW ASSY FR STOP | 1 | |
| | 35350 | 35350-LKF5-E01 | SW ASSY RR STOP | SW ASSY RR STOP | 1 | |
| | 43126 | 43126-ACD5-E01 | HOSE ASSY RR BRK (2160MM) | HOSE ASSY RR BRK (2160MM) | 1 | |
| | 43127 | 43127-ACD5-E01 | HOSE ASSY M/C RR BRK(585MM) | HOSE ASSY M/C RR BRK(585MM) | 1 | |
| | 43530 | 43530-LEA7-305 | CYLINDER SET MASTER | CYLINDER SET MASTER | 1 | |
| | 45126 | 45126-ACD5-E01 | HOSE ASSY FR BRK(ABS) 620MM | HOSE ASSY FR BRK(ABS) 620MM | 1 | |
| | 45127 | 45127-ACD5-E01 | HOSE ASSY M/C FR BRK (575MM) | HOSE ASSY M/C FR BRK (575MM) | 1 | |
| | 45513 | 45513-LEA7-E00 | CAP MASTER CYLINDER | CAP MASTER CYLINDER | 2 | |
| | 45517 | 45517-LBA2-E00 | HOLDER M/C | HOLDER M/C | 2 | |
| | 45520 | 45520-KKA8-900 | DIAPHRAGM | DIAPHRAGM | 2 | |
| | 45521 | 45521-LEA7-E00 | PLATE DIAPHRAGM | PLATE DIAPHRAGM | 2 | |
| | 45530 | 45530-LBA2-309 | CYLINDER SET FR MASTER | CYLINDER SET FR MASTER | 1 | |
| | 49100 | 49100-ACD5-E01 | MODULATOR ASSY ABS | MODULATOR ASSY ABS | 1 | |
| | 49110 | 49110-LGE5-E01 | STAY ABS | STAY ABS | 1 | |
| | 49211 | 49211-LFH1-E00 | RUBBER BUSH | RUBBER BUSH | 1 | |
| | 52407 | 52407-LLB1-900 | RUBBER RR CUSH | RUBBER RR CUSH | 1 | |
| ** | 53175 | 53175-LKF5-E00 | LEVER R STRG HANDLE | LEVER R STRG HANDLE | 1 | |
| ** | 53178 | 53178-LKF5-E00 | LEVER L STRG HANDLE | LEVER L STRG HANDLE | 1 | |
| | 90113-KKA8 | 90113-KKA8-900 | BOLT L STEERING HANDLE | BOLT L STEERING HANDLE | 2 | |
| | 90113-LGE5 | 90113-LGE5-E01 | BOLT FLANGE 6X20 ABS | BOLT FLANGE 6X20 ABS | 1 | |

Master Cylinder

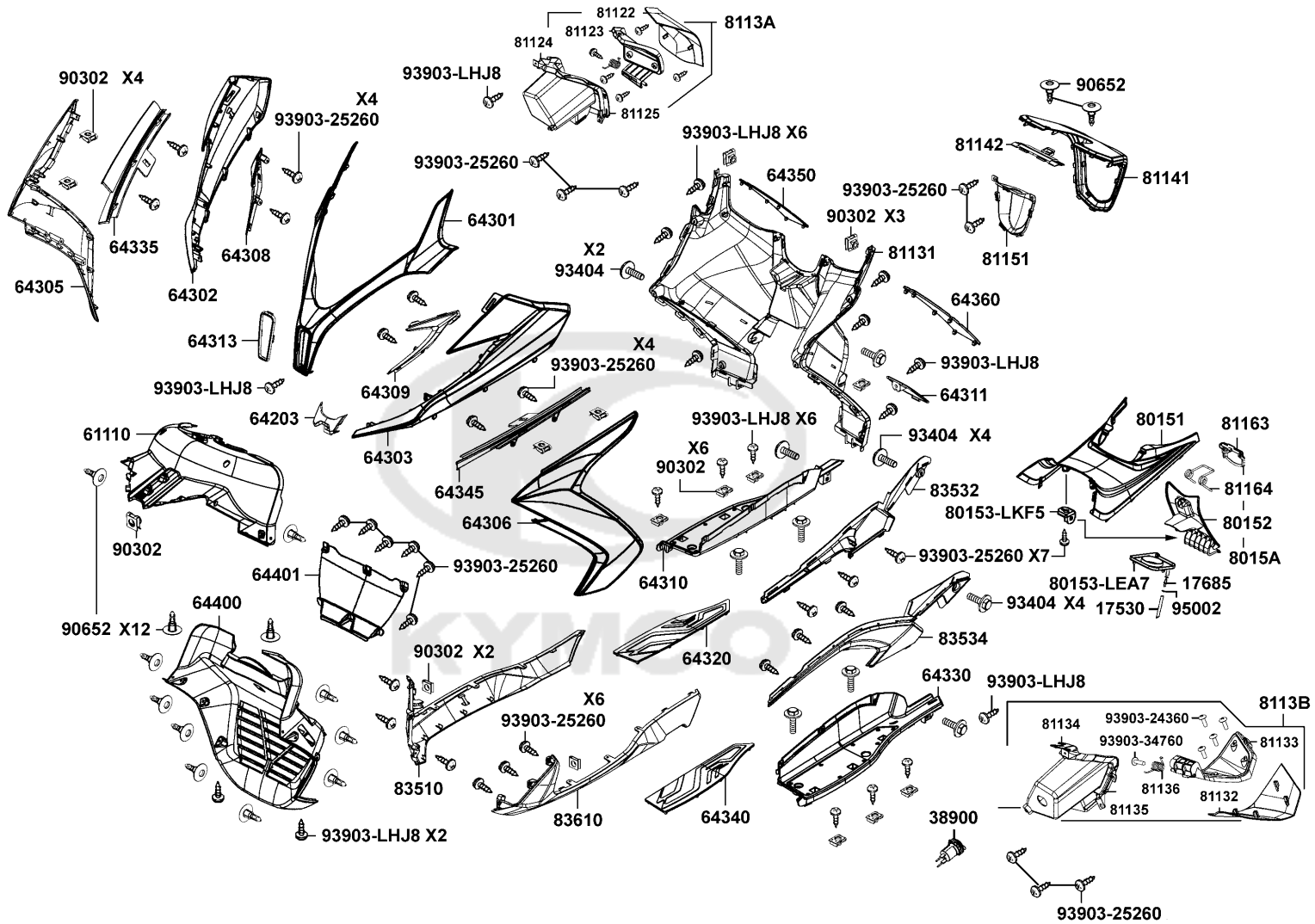


| Sales mark | Ref no | Part no | Description | Reg description | Regd no | F04 |
|------------|--------|----------------|------------------------|------------------------|---------|------------|
| 90114 | | 90114-LGE5-E01 | BOLT FLANGE 6X30.5 ABS | BOLT FLANGE 6X30.5 ABS | 1 | |
| 90145-LEA3 | | 90145-LEA3-E00 | OIL BOLT 10*22 | OIL BOLT 10*22 | 4 | |
| 90145-LFH1 | | 90145-LFH1-E00 | OIL BOLT 10x22 | OIL BOLT 10x22 | 4 | |
| 90545 | | 90545-3L00-001 | WASHER OIL BOLT | WASHER OIL BOLT | 16 | |
| 93600 | | 93600-04012-1G | SCREW FLAT 4*12 | SCREW FLAT 4*12 | 4 | |
| 93893 | | 93893-04012-18 | SCREW WASHER 4*12 | SCREW WASHER 4*12 | 2 | |
| 94050 | | 94050-06060 | NUT FLANGE 6MM | NUT FLANGE 6MM | 2 | |
| 95701 | | 95701-06050-06 | BOLT FLANGE 6*50 | BOLT FLANGE 6*50 | 1 | |
| 96001 | | 96001-06028-06 | BOLT FLANGE SH 6*28 | BOLT FLANGE SH 6*28 | 4 | |

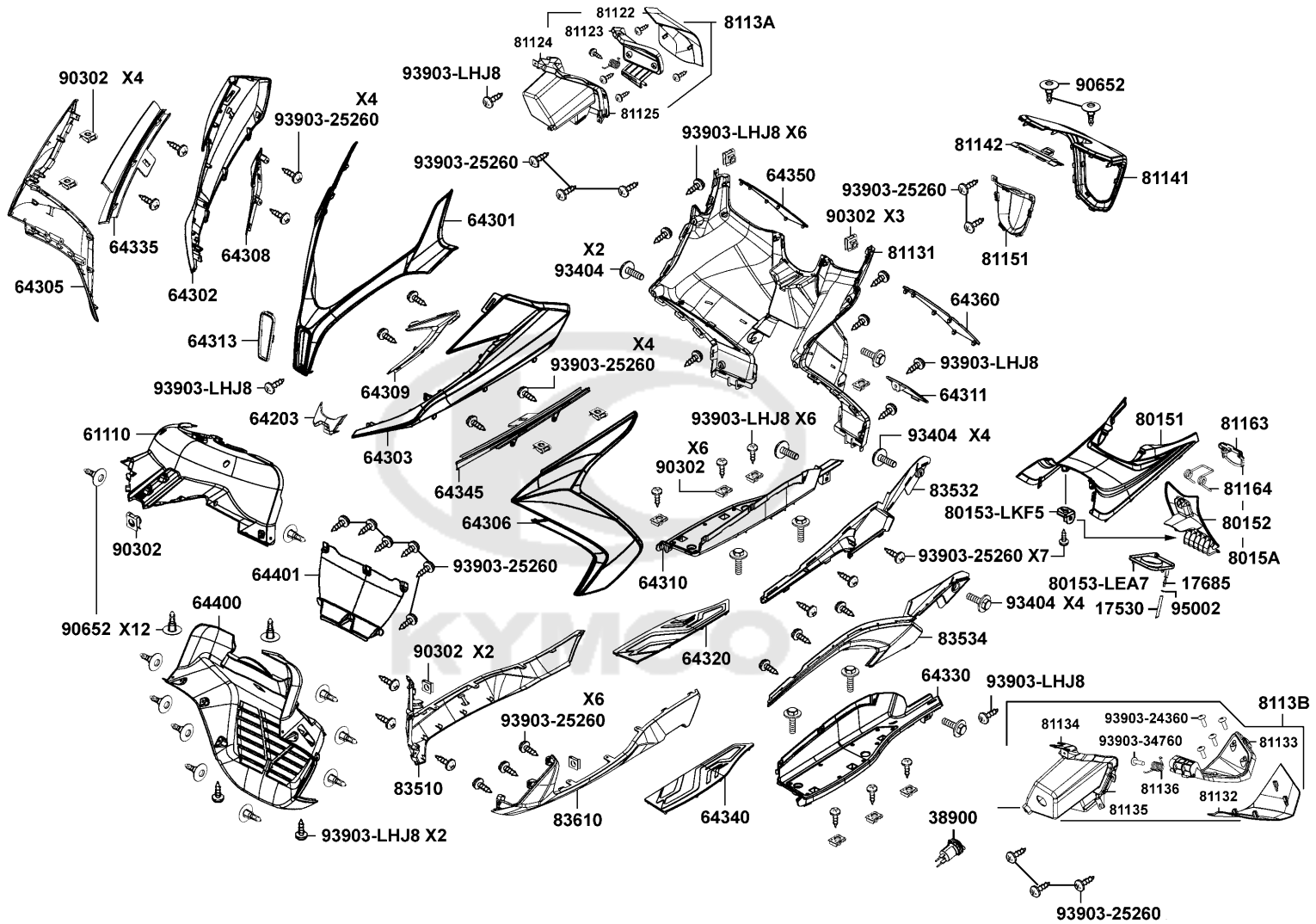




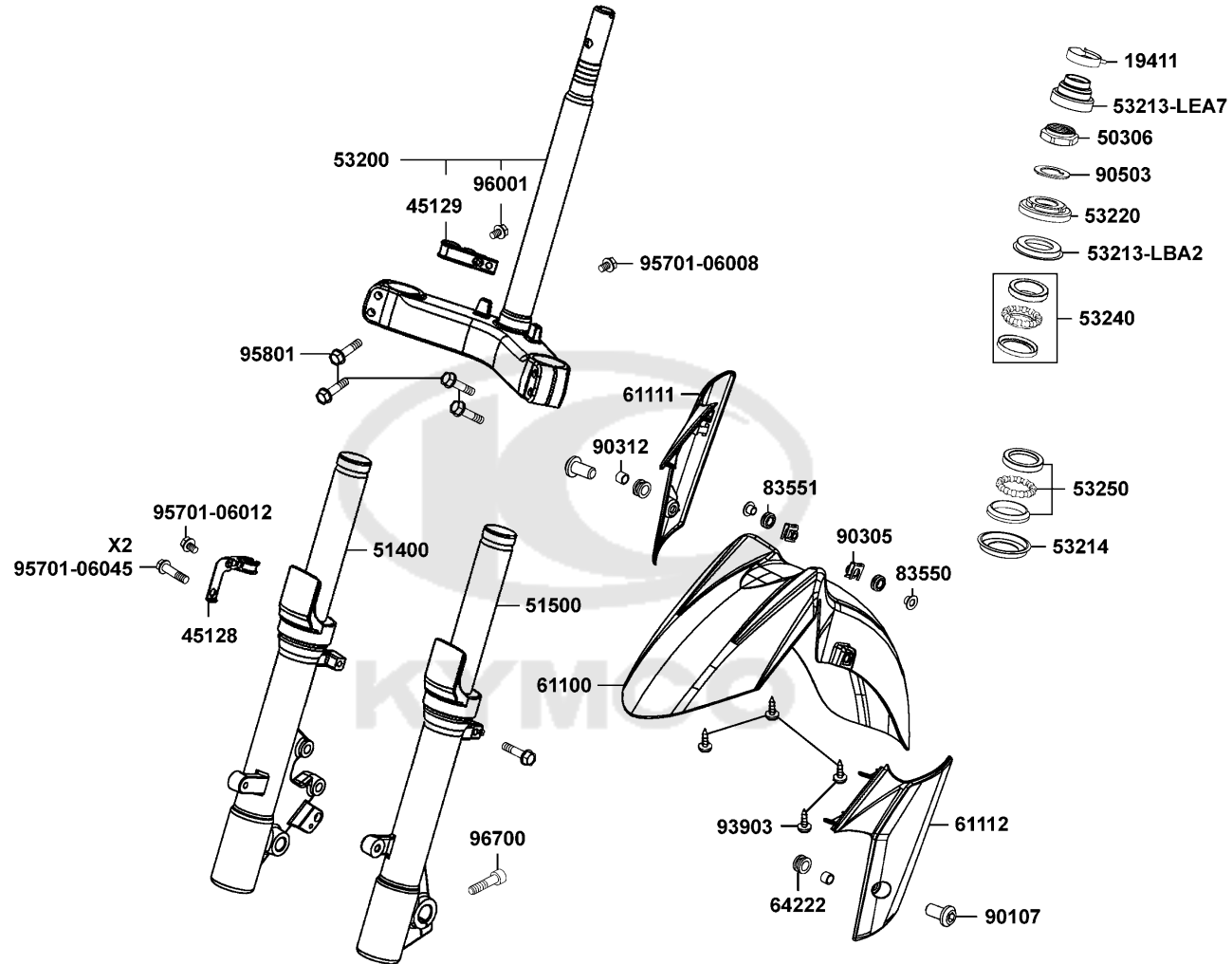
| Sales mark | Ref no | Part no | Description | Reg description | Regd no | F05 |
|------------|--------|----------------|------------------------|------------------------|---------|-----|
| | 17530 | 17530-KGB5-900 | TUBE ASSY DRAIN | TUBE ASSY DRAIN | 1 | |
| | 17685 | 17685-KZCZ-900 | JOINT TUBE | JOINT TUBE | 1 | |
| | 38900 | 38900-ACD5-E00 | CONTROLLER USB CHARGER | CONTROLLER USB CHARGER | 1 | |
| ** | 61110 | 61110-ACD5-E00 | INNER FENDER FRONT | INNER FENDER FRONT | 1 | |
| ** | 64203 | 64203-ACD5-E00 | CENTER COVER FRONT | CENTER COVER FRONT | 1 | |
| ** | 64301 | 64301-ACD5-E00 | COVER FRONT | COVER FRONT | 1 | |
| ** | 64302 | 64302-ACD5-E00 | MOLDING A R SIDE | MOLDING A R SIDE | 1 | |
| ** | 64303 | 64303-ACD5-E00 | MOLDING A L SIDE | MOLDING A L SIDE | 1 | |
| ** | 64305 | 64305-ACD5-E00 | SKIRT R SIDE | SKIRT R SIDE | 1 | |
| ** | 64306 | 64306-ACD5-E00 | SKIRT L SIDE | SKIRT L SIDE | 1 | |
| ** | 64308 | 64308-ACD5-E00 | MOLDING B R SIDE | MOLDING B R SIDE | 1 | |
| ** | 64309 | 64309-ACD5-E00 | MOLDING B L SIDE | MOLDING B L SIDE | 1 | |
| ** | 64310 | 64310-ACD5-E00 | PANEL R FLOOR | PANEL R FLOOR | 1 | |
| ** | 64311 | 64311-ACD5-E00 | LID RESERVE TANK | LID RESERVE TANK | 1 | |
| ** | 64313 | 64313-ACD5-E00 | TOP COVER FRONT | TOP COVER FRONT | 1 | |
| ** | 64320 | 64320-ACD5-E00 | MAT R FLOOR | MAT R FLOOR | 1 | |
| ** | 64330 | 64330-ACD5-E00 | PANEL L FLOOR | PANEL L FLOOR | 1 | |
| ** | 64335 | 64335-ACD5-E00 | COVER R SIDE SKIRT | COVER R SIDE SKIRT | 1 | |
| ** | 64340 | 64340-ACD5-E00 | MAT L FLOOR | MAT L FLOOR | 1 | |
| ** | 64345 | 64345-ACD5-E00 | COVER L SIDE SKIRT | COVER L SIDE SKIRT | 1 | |



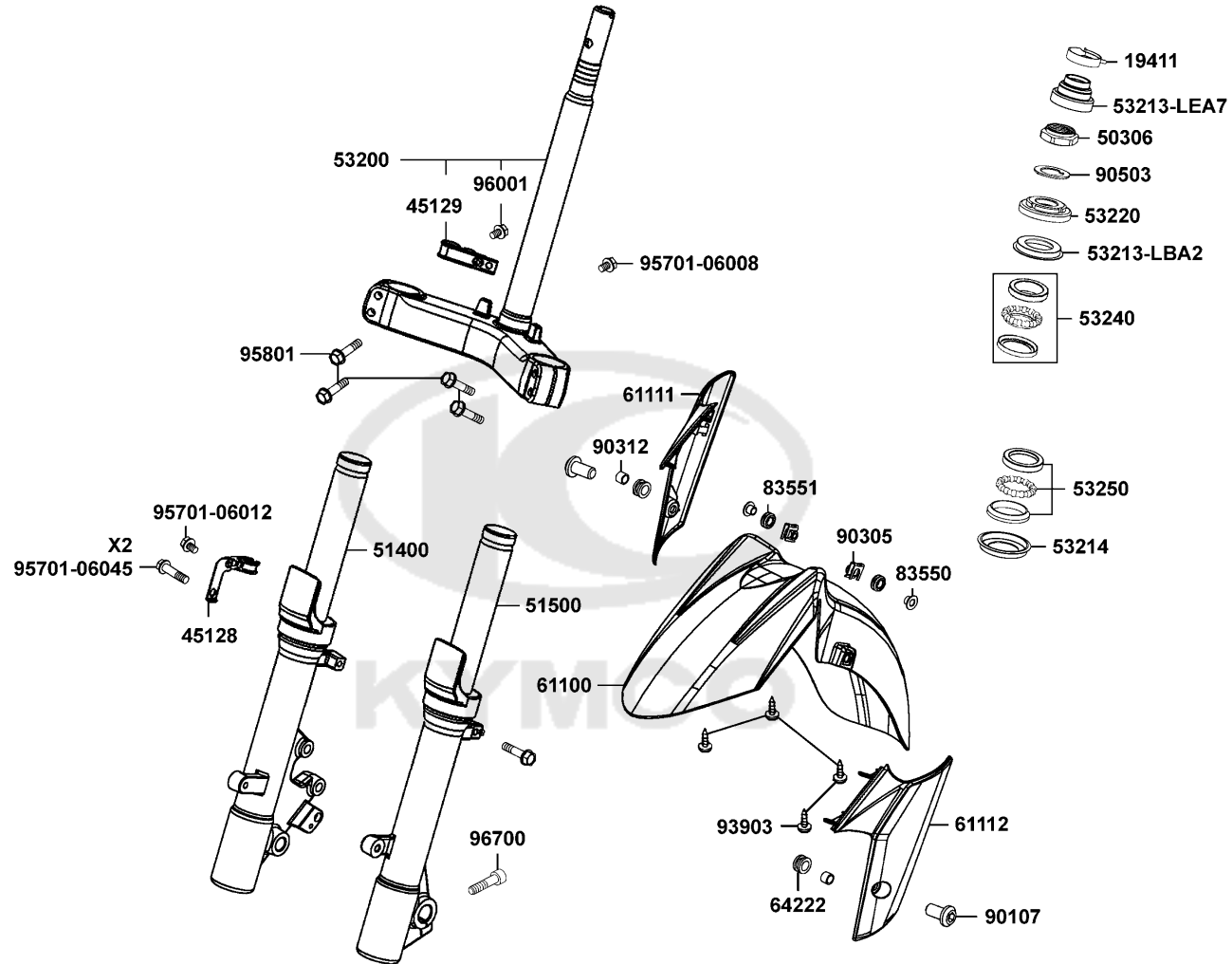
| Sales mark | Ref no | Part no | Description | Reg description | Regd no | F05 |
|------------|------------|----------------|-------------------------|-------------------------|---------|-----|
| ** | 64350 | 64350-ACD5-E00 | MAT R LEG SHIELD | MAT R LEG SHIELD | 1 | |
| ** | 64360 | 64360-ACD5-E00 | MAT L LEG SHIELD | MAT L LEG SHIELD | 1 | |
| ** | 64400 | 64400-ACD5-E00 | COWL UNDER | COWL UNDER | 1 | |
| | 64401 | 64401-ZZA6-E00 | MESH UNDER COWL | MESH UNDER COWL | 1 | |
| ** | 80151 | 80151-ACD5-E00 | COVER CENTER | COVER CENTER | 1 | |
| ** | 80152 | 80152-ACD5-E00 | LID FUEL CAP MAINT | LID FUEL CAP MAINT | 1 | |
| | 80153-LEA7 | 80153-LEA7-E00 | RUBBER FUEL CAP | RUBBER FUEL CAP | 1 | |
| | 80153-LKF5 | 80153-LKF5-E00 | STAY FUEL COVER | STAY FUEL COVER | 1 | |
| ** | 8015A | 8015A-ACD5-E00 | LID ASSY FUEL CAP MAINT | LID ASSY FUEL CAP MAINT | 1 | |
| ** | 81122 | 81122-ACD5-E00 | LIDR FR INNER BOX | LIDR FR INNER BOX | 1 | |
| ** | 81123 | 81123-ACD5-E00 | COVER R INNER LID | COVER R INNER LID | 1 | |
| ** | 81124 | 81124-ACD5-E00 | BOX R FR INNER BOX | BOX R FR INNER BOX | 1 | |
| | 81125 | 81125-ACD5-E00 | SEAL R FR INNER BOX | SEAL R FR INNER BOX | 1 | |
| ** | 81131 | 81131-ACD5-E00 | LEG SHIELD | LEG SHIELD | 1 | |
| ** | 81132 | 81132-ACD5-E00 | LID L FR INNER BOX | LID L FR INNER BOX | 1 | |
| ** | 81133 | 81133-ACD5-E00 | COVER L INNER LID | COVER L INNER LID | 1 | |
| ** | 81134 | 81134-ACD5-E00 | BOX L FR INNER BOX | BOX L FR INNER BOX | 1 | |
| | 81135 | 81135-ACD5-E00 | SEAL L FR INNER BOX | SEAL L FR INNER BOX | 1 | |
| | 81136 | 81136-LEA7-E00 | SPRING FR INNER BOX | SPRING FR INNER BOX | 1 | |
| ** | 8113A | 8113A-ACD5-E00 | BOX ASSY.R FRONT | BOX ASSY.R FRONT | 1 | |



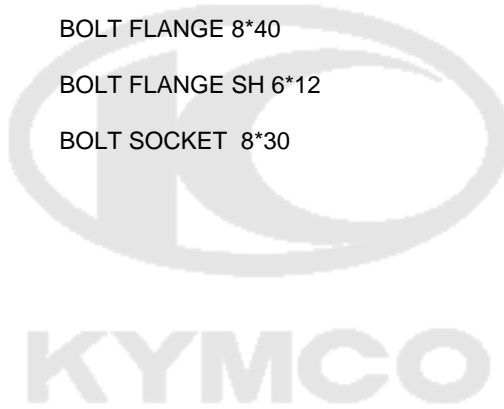
| Sales mark | Ref no | Part no | Description | Reg description | Regd no | F05 |
|------------|-------------|----------------|-----------------------|-----------------------|---------|-----|
| ** | 8113B | 8113B-ACD5-E00 | BOX ASSY.L FRONT | BOX ASSY.L FRONT | 1 | |
| ** | 81141 | 81141-ACD5-E00 | LEG SHIELD UP | LEG SHIELD UP | 14 | |
| ** | 81142 | 81142-ACD5-E00 | LEG SHIELD UP A | LEG SHIELD UP A | 1 | |
| ** | 81151 | 81151-ACD5-E00 | COVER KEY | COVER KEY | 1 | |
| | 81163 | 81163-LKJ1-900 | LID LATCH LEG SHIELD | LID LATCH LEG SHIELD | 1 | |
| | 81164 | 81164-LKJ1-900 | LID SPRING LEG SHIELD | LID SPRING LEG SHIELD | 1 | |
| ** | 83510 | 83510-ACD5-E00 | COVER R SIDE | COVER R SIDE | 1 | |
| ** | 83532 | 83532-ACD5-E00 | BOARD B R SIDE | BOARD B R SIDE | 1 | |
| ** | 83534 | 83534-ACD5-E00 | BOARD B L SIDE | BOARD B L SIDE | 1 | |
| ** | 83610 | 83610-ACD5-E00 | COVER L SIDE | COVER L SIDE | 1 | |
| | 90302 | 90302-LKB9-900 | NUT SPRING 5MM | NUT SPRING 5MM | 16 | |
| | 90652 | 90652-LFB5-900 | CLIP,MUDGUARD | CLIP,MUDGUARD | 14 | |
| | 93404 | 93404-06016-06 | BOLT WASHER 6*16 | BOLT WASHER 6*16 | 10 | |
| | 93903-24360 | 93903-24360 | SCREW TAPPING 4*12 | SCREW TAPPING 4*12 | 8 | |
| | 93903-25260 | 93903-25260 | SCREW TAPPING 5*12 | SCREW TAPPING 5*12 | 35 | |
| | 93903-34760 | 93903-34760 | SCREW TAPPING 4*30 | SCREW TAPPING 4*30 | 2 | |
| | 93903-LHJ8 | 93903-LHJ8-900 | SCREW TAPPING 5*14 | SCREW TAPPING 5*14 | 18 | |
| | 95002 | 95002-02080 | CLIP B8 TUBE | CLIP B8 TUBE | 2 | |



| Sales mark | Ref no | Part no | Description | Reg description | Regd no | F06 |
|------------|------------|----------------|---------------------------|---------------------------|---------|-----|
| | 19411 | 19411-LFG2-E00 | CLIP ASSY AIR/C DUCT | CLIP ASSY AIR/C DUCT | 1 | |
| | 45128 | 45128-LBA2-920 | CLAMPER FR BRK HOSE | CLAMPER FR BRK HOSE | 1 | |
| | 45129 | 45129-LBA2-900 | CLAMPER FR BRK HOSE | CLAMPER FR BRK HOSE | 1 | |
| | 50306 | 50306-1F96-001 | NUT STRG STEM LOCK | NUT STRG STEM LOCK | 1 | |
| ** | 51400 | 51400-ACD5-E00 | FORK ASSY FR R | FORK ASSY FR R | 1 | |
| ** | 51500 | 51500-ACD5-E00 | FORK ASSY FR L | FORK ASSY FR L | 1 | |
| | 53200 | 53200-ACD5-E00 | STEM COMP STRG | STEM COMP STRG | 1 | |
| | 53213-LBA2 | 53213-LBA2-E00 | DUST SEAL STRG HEAD TOP | DUST SEAL STRG HEAD TOP | 1 | |
| | 53213-LEA7 | 53213-LEA7-E00 | DUST SEAL. STRG | DUST SEAL. STRG | 1 | |
| | 53214 | 53214-LBA2-E00 | DUST SEAL STRG (HEAD) | DUST SEAL STRG (HEAD) | 1 | |
| | 53220 | 53220-LBA2-E00 | THREAD COMP STRG HEAD TOP | THREAD COMP STRG HEAD TOP | 1 | |
| | 53240 | 53240-LEA7-90A | BEARING TOP STRG | BEARING TOP STRG | 1 | |
| | 53250 | 53250-LEA7-90A | BEARING BOT STRG | BEARING BOT STRG | 1 | |
| ** | 61100 | 61100-ACD5-E00 | FENDER FRONT | FENDER FRONT | 1 | |
| ** | 61111 | 61111-ACD5-E00 | FENDER COVER R SIDE | FENDER COVER R SIDE | 1 | |
| ** | 61112 | 61112-ACD5-E00 | FENDER COVER L SIDE | FENDER COVER L SIDE | 1 | |
| | 64222 | 64222-LLJ3-E00 | RUBBER WIND SCREEN | RUBBER WIND SCREEN | 2 | |
| | 83550 | 83550-KEC8-900 | COLLAR | COLLAR | 2 | |
| | 83551 | 83551-KEC8-900 | GROMMET COVER | GROMMET COVER | 2 | |
| | 90107 | 90107-LEA7-E00 | BOLT SPECIAL 8MM | BOLT SPECIAL 8MM | 2 | |

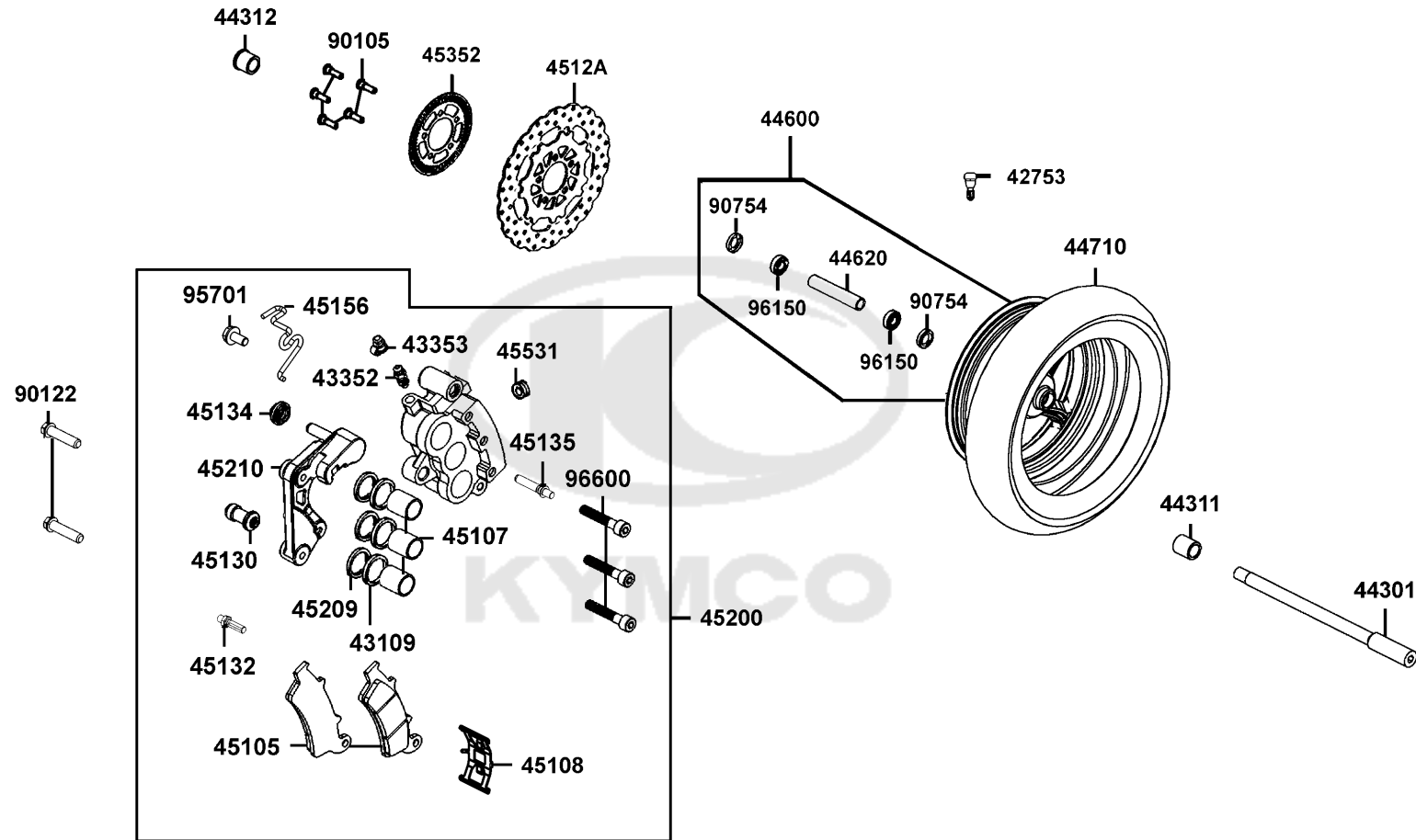


| Sales mark | Ref no | Part no | Description | Reg description | Regd no | F06 |
|-------------|--------|----------------|----------------------|----------------------|---------|------------|
| 90305 | | 90305-LBA2-E00 | NUT CLIP 6MM | NUT CLIP 6MM | 2 | |
| 90312 | | 90312-LLJ3-E01 | COLLAR WIND SCREEN | COLLAR WIND SCREEN | 2 | |
| 90503 | | 90503-LEA7-E00 | WASHER STRG STEM NUT | WASHER STRG STEM NUT | 1 | |
| 93903 | | 93903-25260 | SCREW TAPPING 5*12 | SCREW TAPPING 5*12 | 4 | |
| 95701-06008 | | 95701-06008-06 | BOLT FLANGE 6*8 | BOLT FLANGE 6*8 | 1 | |
| 95701-06012 | | 95701-06012-06 | BOLT FLANGE 6*12 | BOLT FLANGE 6*12 | 1 | |
| 95701-06045 | | 95701-06045-06 | BOLT FLANGE 6*45 | BOLT FLANGE 6*45 | 2 | |
| 95801 | | 95801-08040-06 | BOLT FLANGE 8*40 | BOLT FLANGE 8*40 | 1 | |
| 96001 | | 96001-06012-06 | BOLT FLANGE SH 6*12 | BOLT FLANGE SH 6*12 | 1 | |
| 96700 | | 96700-KED9-900 | BOLT SOCKET 8*30 | BOLT SOCKET 8*30 | 1 | |



F07

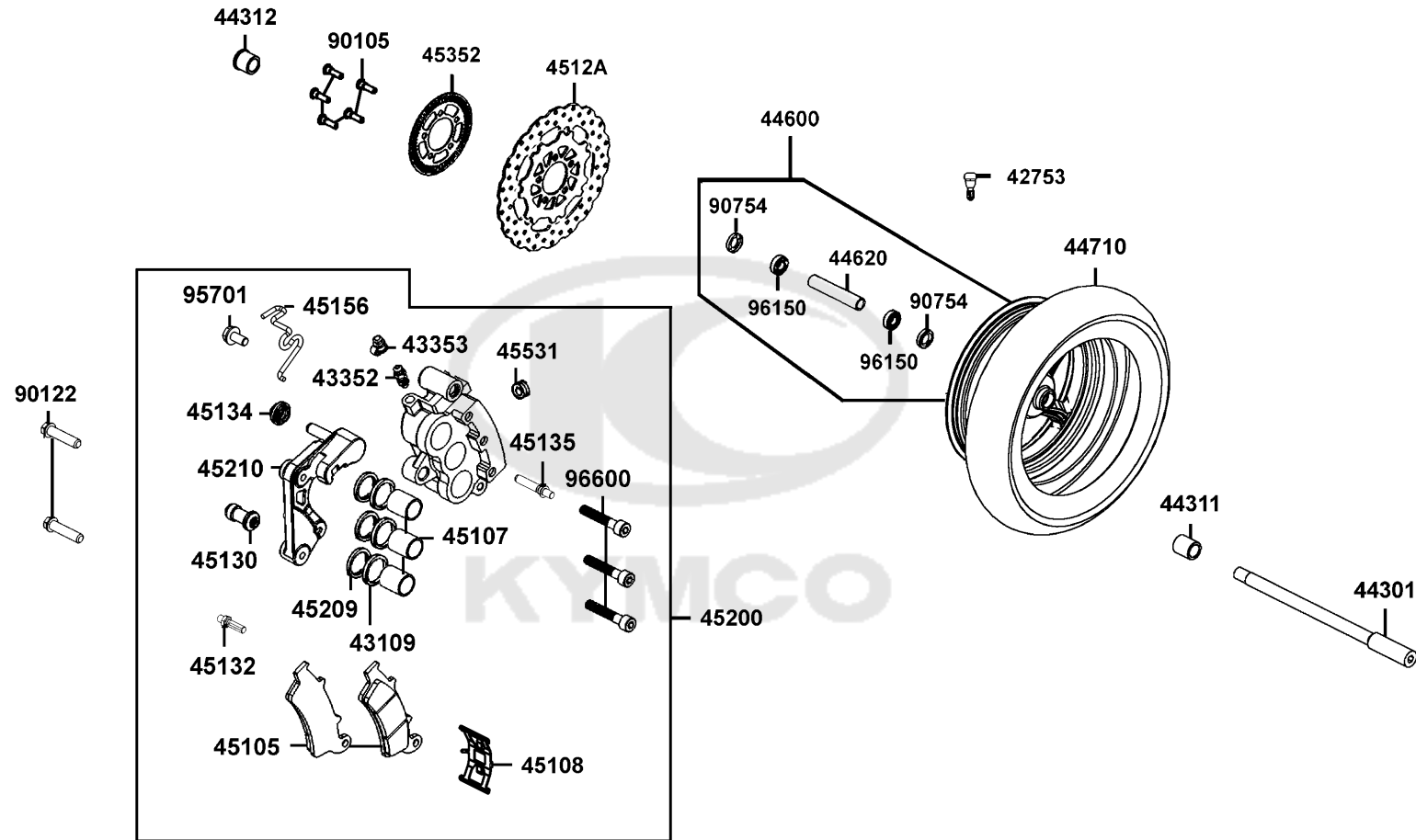
Front Wheel



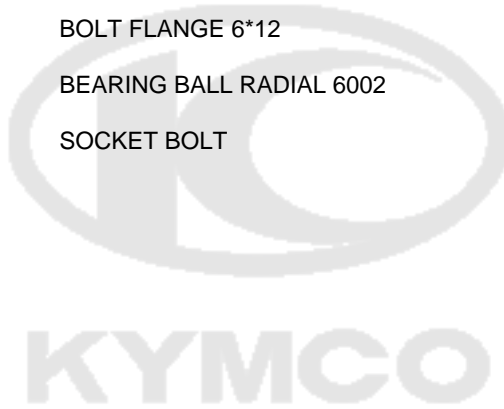
| Sales mark | Ref no | Part no | Description | Reg description | Regd no | F07 |
|------------|--------|----------------|--------------------------|--------------------------|---------|-----|
| | 42753 | 42753-KNBN-90B | VALAE RIM (TR412) | VALAE RIM (TR412) | 1 | |
| | 43109 | 43109-GBE2-007 | SEAL PISTON | SEAL PISTON | 3 | |
| | 43352 | 43352-KED9-900 | BLEEDER | BLEEDER | 1 | |
| | 43353 | 43353-KED9-900 | CAP BLEEDER | CAP BLEEDER | 1 | |
| | 44301 | 44301-LEA7-E00 | AXLE FR WHEEL M14*282MM | AXLE FR WHEEL M14*282MM | 1 | |
| | 44311 | 44311-LEA7-E00 | COLLAR FR WHEEL SIDE | COLLAR FR WHEEL SIDE | 1 | |
| | 44312 | 44312-LEA7-E00 | COLLAR FR WHEEL SIDE | COLLAR FR WHEEL SIDE | 1 | |
| ** | 44600 | 44600-LEA7-305 | WHEEL ASSY FR | WHEEL ASSY FR | 1 | |
| | 44620 | 44620-LEA7-E00 | COLLAR FR WHEEL DISTANCE | COLLAR FR WHEEL DISTANCE | 1 | |
| | 44710 | 44710-ACD5-E00 | TIRE ASSY FR | TIRE ASSY FR | 1 | |
| | 45105 | 45105-LGE5-305 | PAD SET | PAD SET | 1 | |
| | 45107 | 45107-LGE5-E00 | PIN HANGER | PIN HANGER | 3 | |
| | 45108 | 45108-LGE5-E00 | SPRING PAD | SPRING PAD | 1 | |
| | 4512A | 4512A-LEA7-E00 | DISK COMP., FR BRAKE | DISK COMP., FR BRAKE | 1 | |
| | 45130 | 45130-LGE5-E00 | PUSH BOOT PIN | PUSH BOOT PIN | 1 | |
| | 45132 | 45132-KED9-900 | PIN BOLT | PIN BOLT | 1 | |
| | 45134 | 45134-KED9-900 | BOOT B | BOOT B | 1 | |
| | 45135 | 45135-LGE5-E00 | PIN BOLT A | PIN BOLT A | 1 | |
| | 45156 | 45156-LKG7-E00 | CLIP SENSOR WIRE | CLIP SENSOR WIRE | 1 | |
| ** | 45200 | 45200-LKG7-E00 | CALIPER ASSY, FR | CALIPER ASSY, FR | 1 | |

F07

Front Wheel

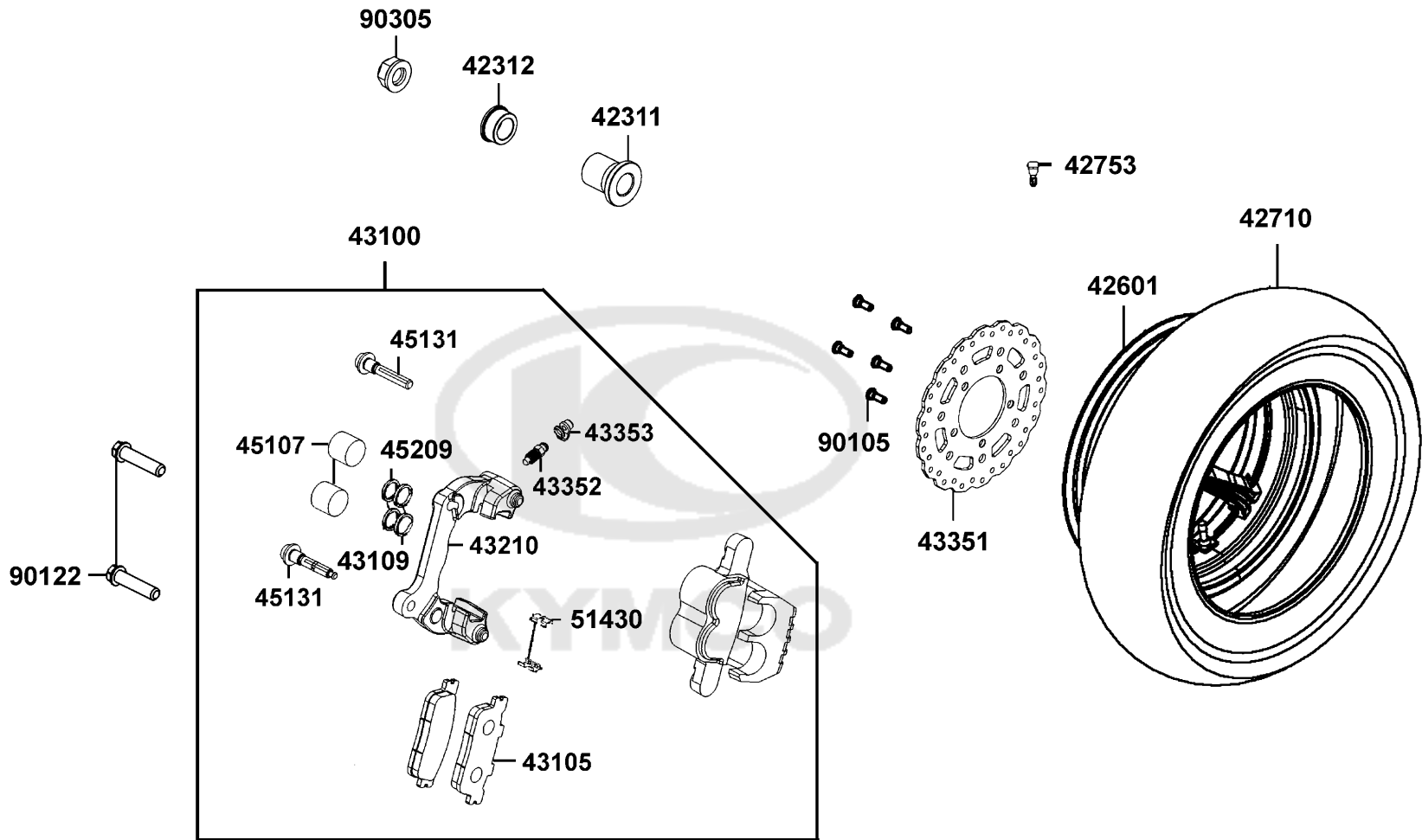


| Sales mark | Ref no | Part no | Description | Reg description | Regd no | F07 |
|------------|--------|----------------|--------------------------|--------------------------|---------|------------|
| 45209 | | 45209-GBE2-007 | SEAL PISTON | SEAL PISTON | 1 | |
| 45210 | | 45210-LKG7-305 | BRACKET ASSY FR | BRACKET ASSY FR | 1 | |
| 45352 | | 45352-LEA7-E00 | TOOTHED RING SENSOR | TOOTHED RING SENSOR | 1 | |
| 45531 | | 45531-KED9-900 | PLUG | PLUG | 1 | |
| 90105 | | 90105-LEA7-E00 | BOLT FR DISK 8x30 | BOLT FR DISK 8x30 | 5 | |
| 90122 | | 90122-LEA7-E00 | BOLT FLANGE 10x42(Cr) | BOLT FLANGE 10x42(Cr) | 2 | |
| 90754 | | 90754-LLJ3-E00 | DUST SEAL | DUST SEAL | 2 | |
| 95701 | | 95701-06012-06 | BOLT FLANGE 6*12 | BOLT FLANGE 6*12 | 1 | |
| 96150 | | 96150-60020-10 | BEARING BALL RADIAL 6002 | BEARING BALL RADIAL 6002 | 2 | |
| 96600 | | 96600-LGE5-E00 | SOCKET BOLT | SOCKET BOLT | 3 | |



F08

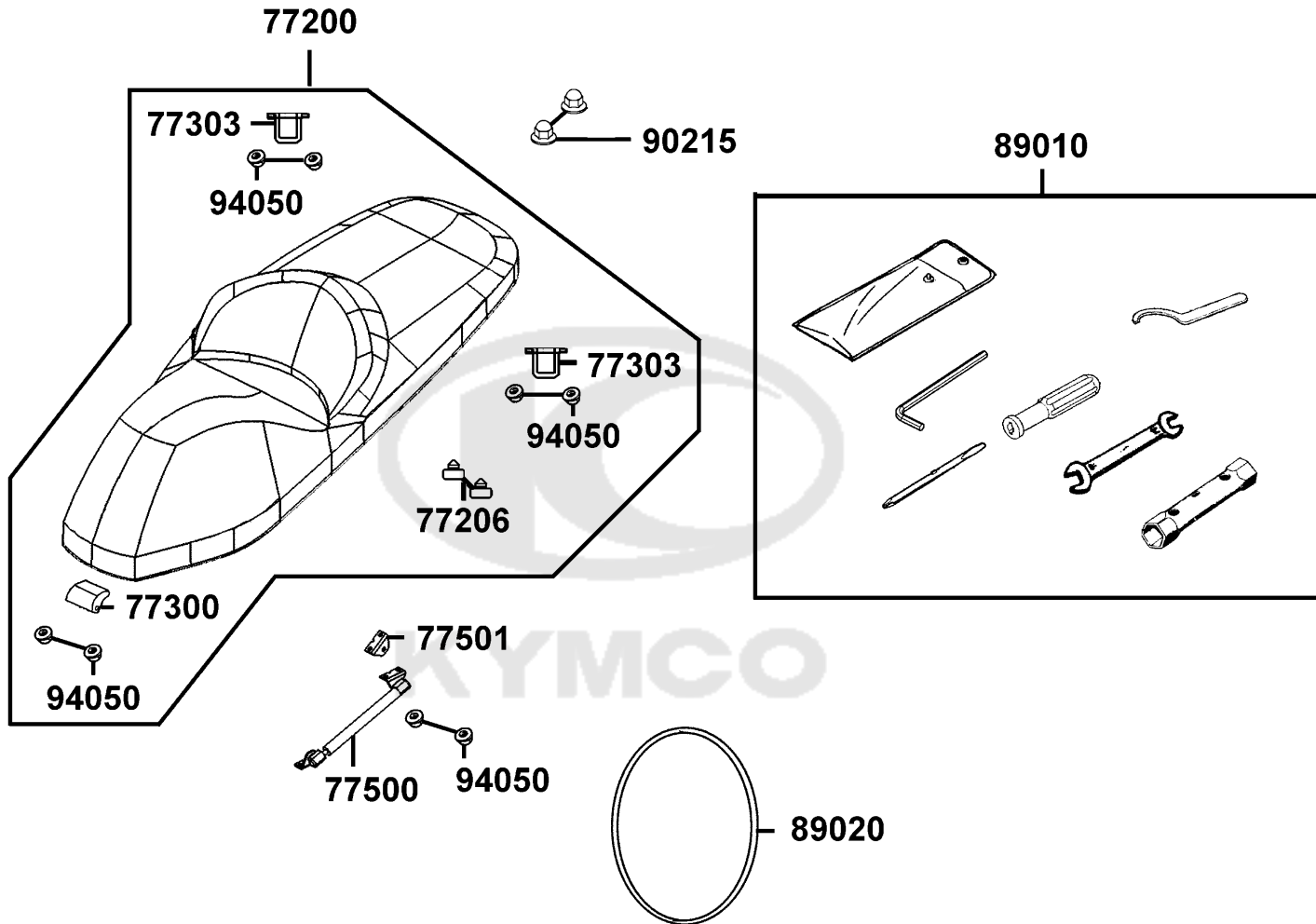
Rear Wheel



| Sales mark | Ref no | Part no | Description | Reg description | Regd no | F08 |
|------------|--------|----------------|-----------------------------|--|---------|-----|
| | 42311 | 42311-LEA7-E00 | COLLAR RR AXLE SIDE A **(1) | COLLAR RR AXLE SIDE A **(1) C.2009.05.05 | 1 | |
| | 42312 | 42312-LEA7-E00 | COLLAR RR AXLE SIDE | COLLAR RR AXLE SIDE | 1 | |
| ** | 42601 | 42601-LEA7-E00 | WHEEL COMP RR | WHEEL COMP RR | 1 | |
| | 42710 | 42710-ACD5-E00 | TIRE ASSY RR | TIRE ASSY RR | 1 | |
| | 42753 | 42753-KNBN-90B | VALAE RIM (TR412) | VALAE RIM (TR412) | 1 | |
| ** | 43100 | 43100-LGE5-E01 | CALIPER ASSY RR | CALIPER ASSY RR | 1 | |
| | 43105 | 43105-LGE5-306 | PAD SET | PAD SET | 1 | |
| | 43109 | 43109-MCA3-006 | PACKING | PACKING | 2 | |
| | 43210 | 43210-LGE5-E00 | BRACKET FR CALIPER | BRACKET FR CALIPER | 1 | |
| | 43351 | 43351-LKG7-E00 | DISK RR BRAKE | DISK RR BRAKE | 1 | |
| | 43352 | 43352-KKD6-E90 | SCREW BLEEDER | SCREW BLEEDER | 1 | |
| | 43353 | 43353-4A61-77A | CAP BLEEDER | CAP BLEEDER | 1 | |
| | 45107 | 45107-LLJ3-E00 | PISTON | PISTON | 2 | |
| | 45131 | 45131-LDH1-E00 | PIN BOLT | PIN BOLT | 2 | |
| | 45209 | 45209-KED9-900 | SEAL PISTON | SEAL PISTON | 2 | |
| | 51430 | 51430-LGE5-E02 | SLIDE PAD | SLIDE PAD | 2 | |
| | 90105 | 90105-LEA7-E00 | BOLT FR DISK 8x30 | BOLT FR DISK 8x30 | 5 | |
| | 90122 | 90122-LEA7-E00 | BOLT FLANGE 10x42(Cr) | BOLT FLANGE 10x42(Cr) | 2 | |
| | 90305 | 90305-KKAK-900 | NUT U 16MM | NUT U 16MM | 1 | |

F09

Seat

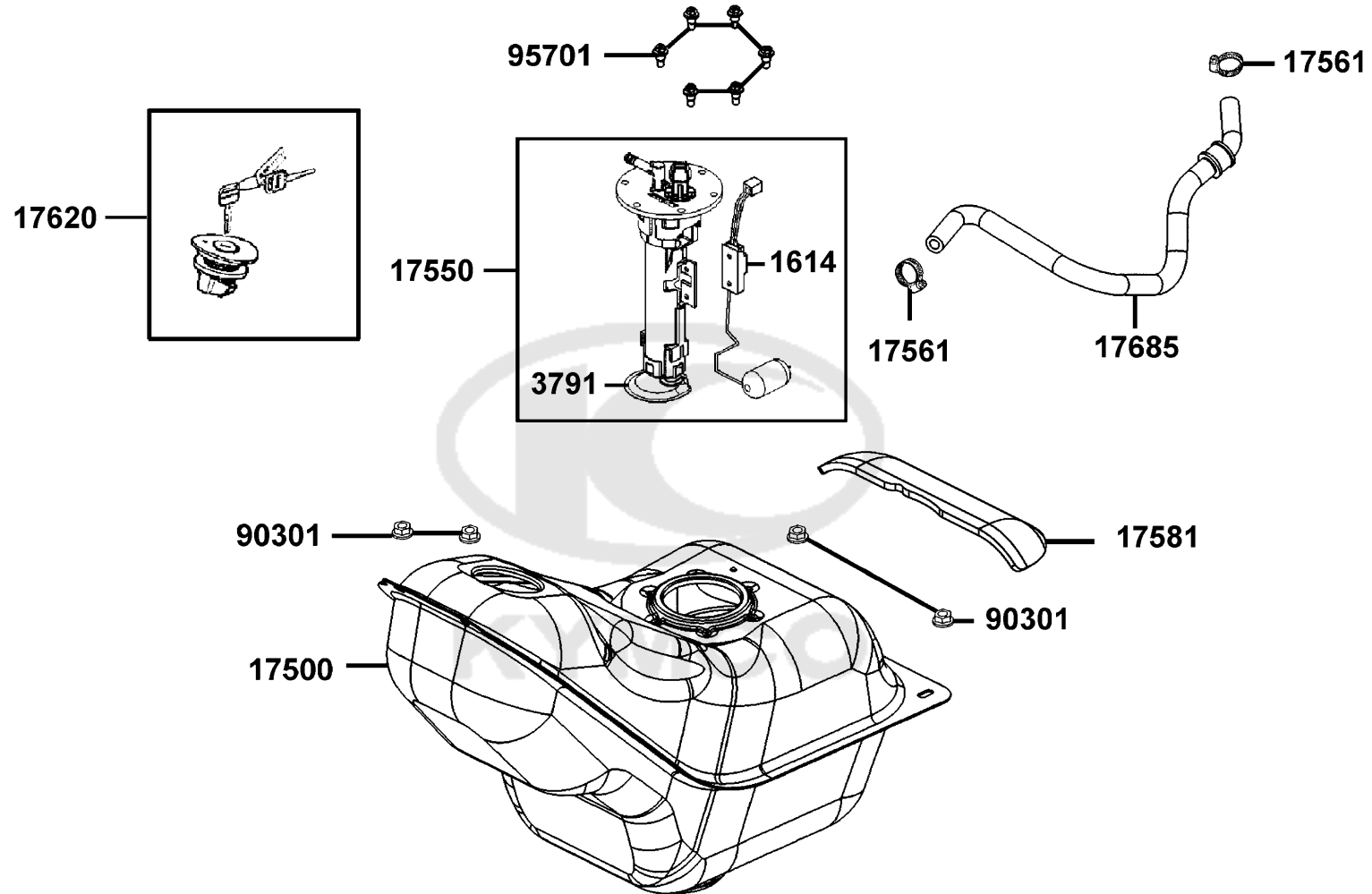


| Sales mark | Ref no | Part no | Description | Reg description | Regd no | F09 |
|------------|--------|----------------|-----------------------|-----------------------|---------|------------|
| ** | 77200 | 77200-ACD5-309 | REPLACEMENT ASSY SEAT | REPLACEMENT ASSY SEAT | 1 | |
| | 77206 | 77206-KEB7-900 | RUBBER SEAT CUSH | RUBBER SEAT CUSH | 2 | |
| | 77300 | 77300-ACD5-E00 | HINGE COMP SEAT | HINGE COMP SEAT | 1 | |
| | 77303 | 77303-ZZA6-E00 | HOOK SEAT LOCK | HOOK SEAT LOCK | 1 | |
| | 77500 | 77500-LEA7-E00 | DAMPER CAS | DAMPER CAS | 1 | |
| | 77501 | 77501-LEA7-E00 | STAY ASSY GAS | STAY ASSY GAS | 1 | |
| | 89010 | 89010-ACD5-E00 | TOOL SET | TOOL SET | 1 | |
| | 89020 | 89020-KKC4-900 | BAND TOOL SET | BAND TOOL SET | 1 | |
| | 90215 | 90215-KKC4-900 | NUT CAP 6MM | NUT CAP 6MM | 2 | |
| | 94050 | 94050-06080 | NUT FLANGE 6MM | NUT FLANGE 6MM | 8 | |

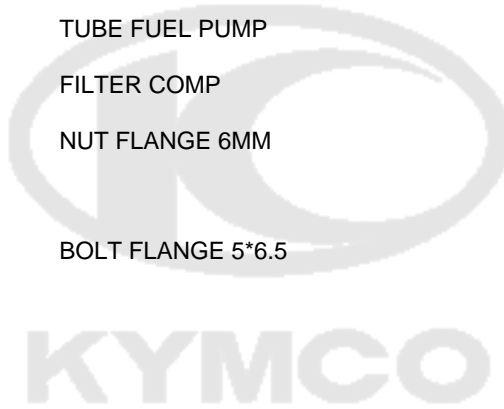


F10

Fuel Tank

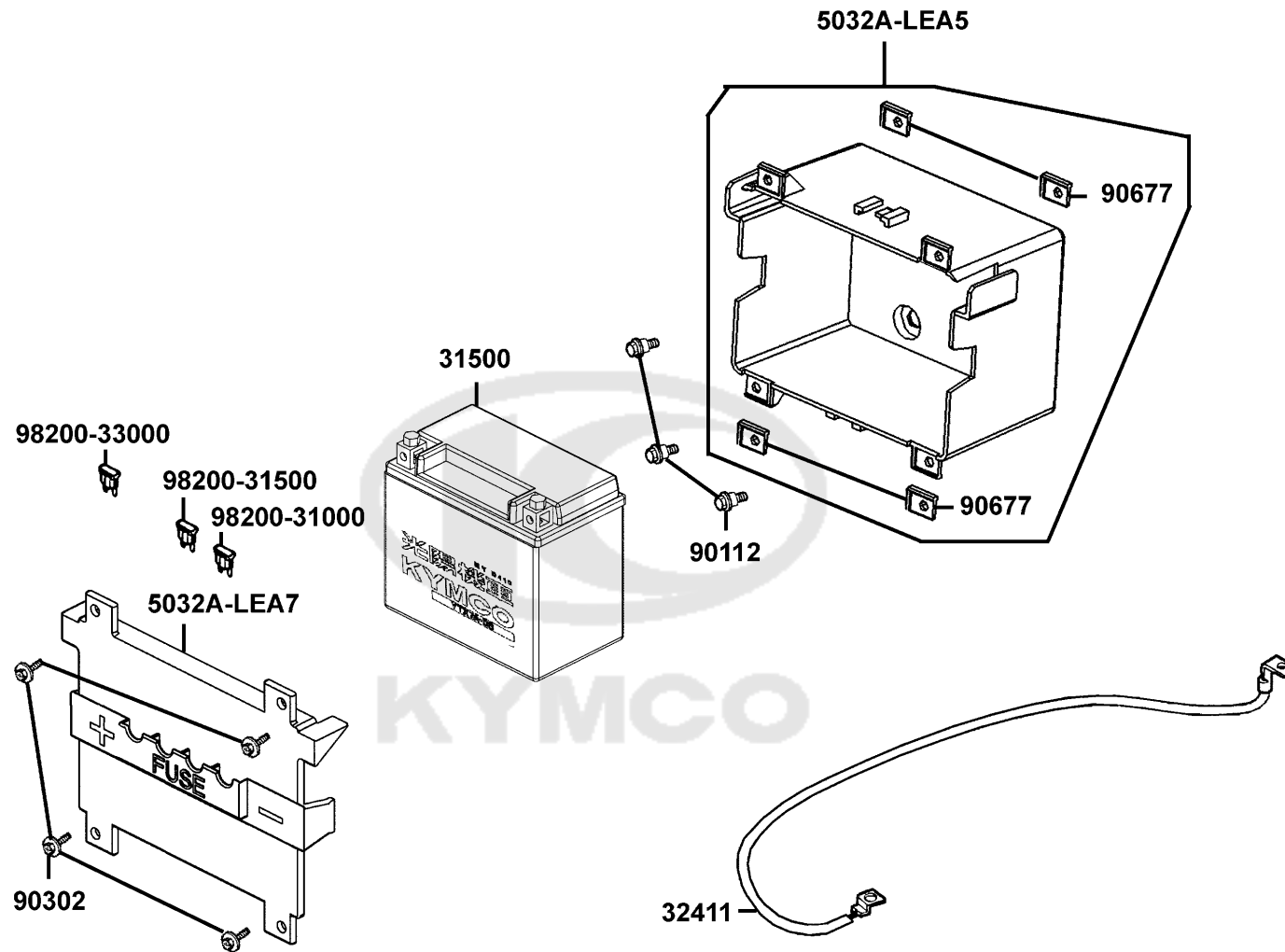


| Sales mark | Ref no | Part no | Description | Reg description | Regd no | F10 |
|------------|--------|-------------------|------------------------|------------------------|---------|------------|
| 1614 | | 1614-A22C-0000-Y | FUEL LEVER SENSOR COMP | FUEL LEVER SENSOR COMP | 1 | |
| 17500 | | 17500-LEA7-E00 | TANK COMP.FUEL | TANK COMP.FUEL | 1 | |
| 17550 | | 17550-LEA7-800 | FUEL PUMP MODULE ASSY | FUEL PUMP MODULE ASSY | 1 | |
| 17561 | | 17561-LHG8-E00 | CLIP 13.0 | CLIP 13.0 | 2 | |
| 17581 | | 17581-LEA7-E00 | SPONGE FUEL TANK | SPONGE FUEL TANK | 1 | |
| 17620 | | 17620-LEA7-315-M1 | CAP COMP FUEL FILLER | CAP COMP FUEL FILLER | 1 | |
| 17620 | | 17620-LEA7-315-M2 | CAP COMP FUEL FILLER | CAP COMP FUEL FILLER | 1 | |
| 17685 | | 17685-LEA7-E00 | TUBE FUEL PUMP | TUBE FUEL PUMP | 1 | |
| 3791 | | 3791-HN80-0000 | FILTER COMP | FILTER COMP | 1 | |
| 90301 | | 90301-6D34-671 | NUT FLANGE 6MM | NUT FLANGE 6MM | 4 | |
| 95701 | | 95701-LDF2-800 | BOLT FLANGE 5*6.5 | BOLT FLANGE 5*6.5 | 6 | |

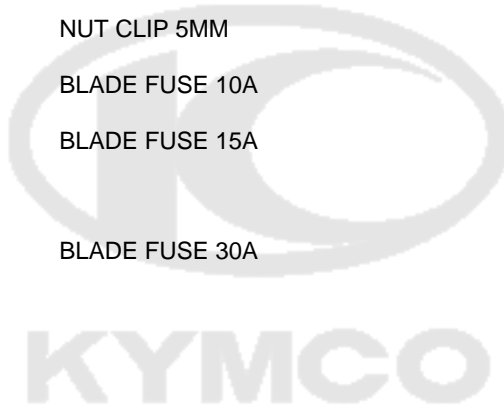


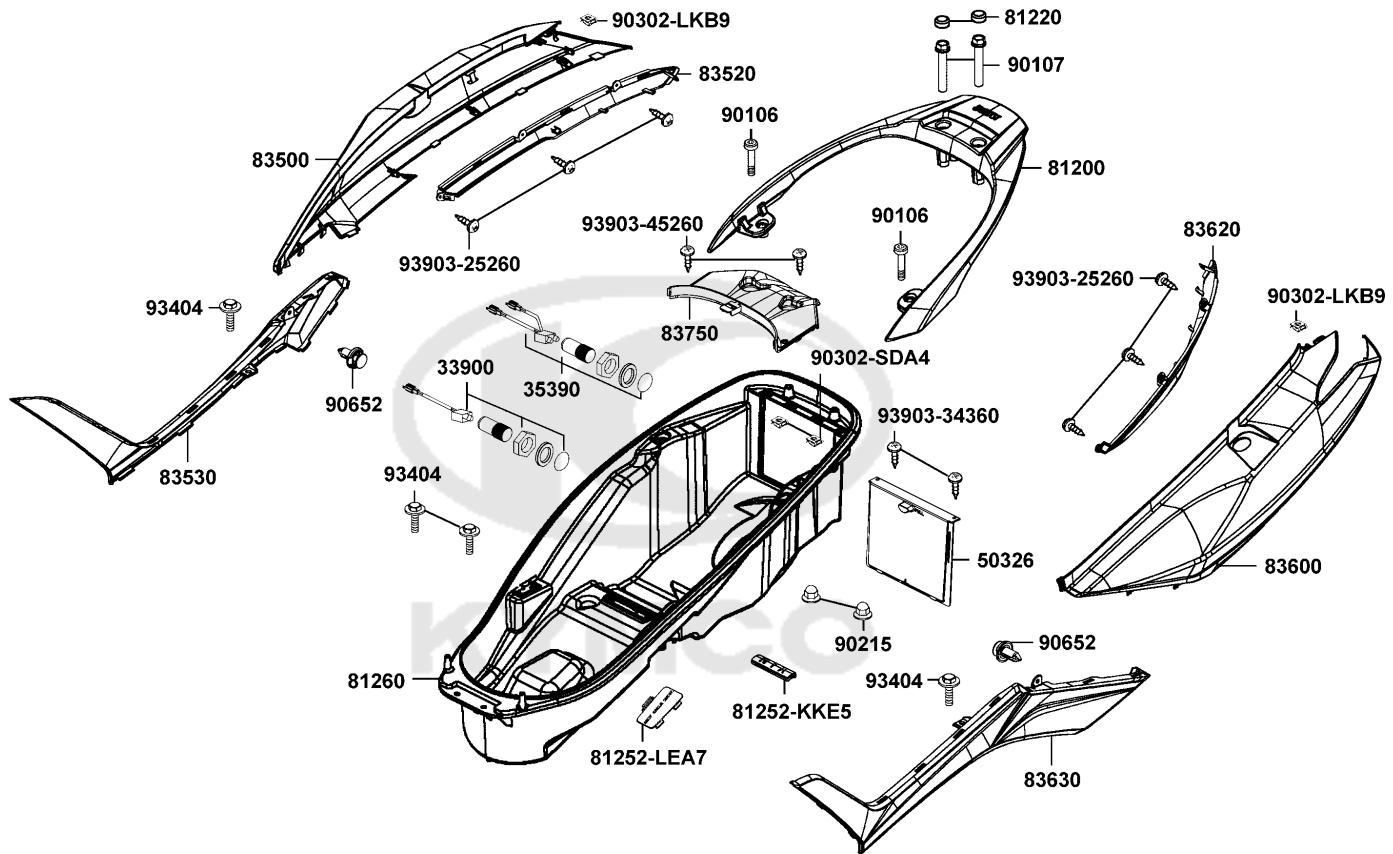
F11

Battery



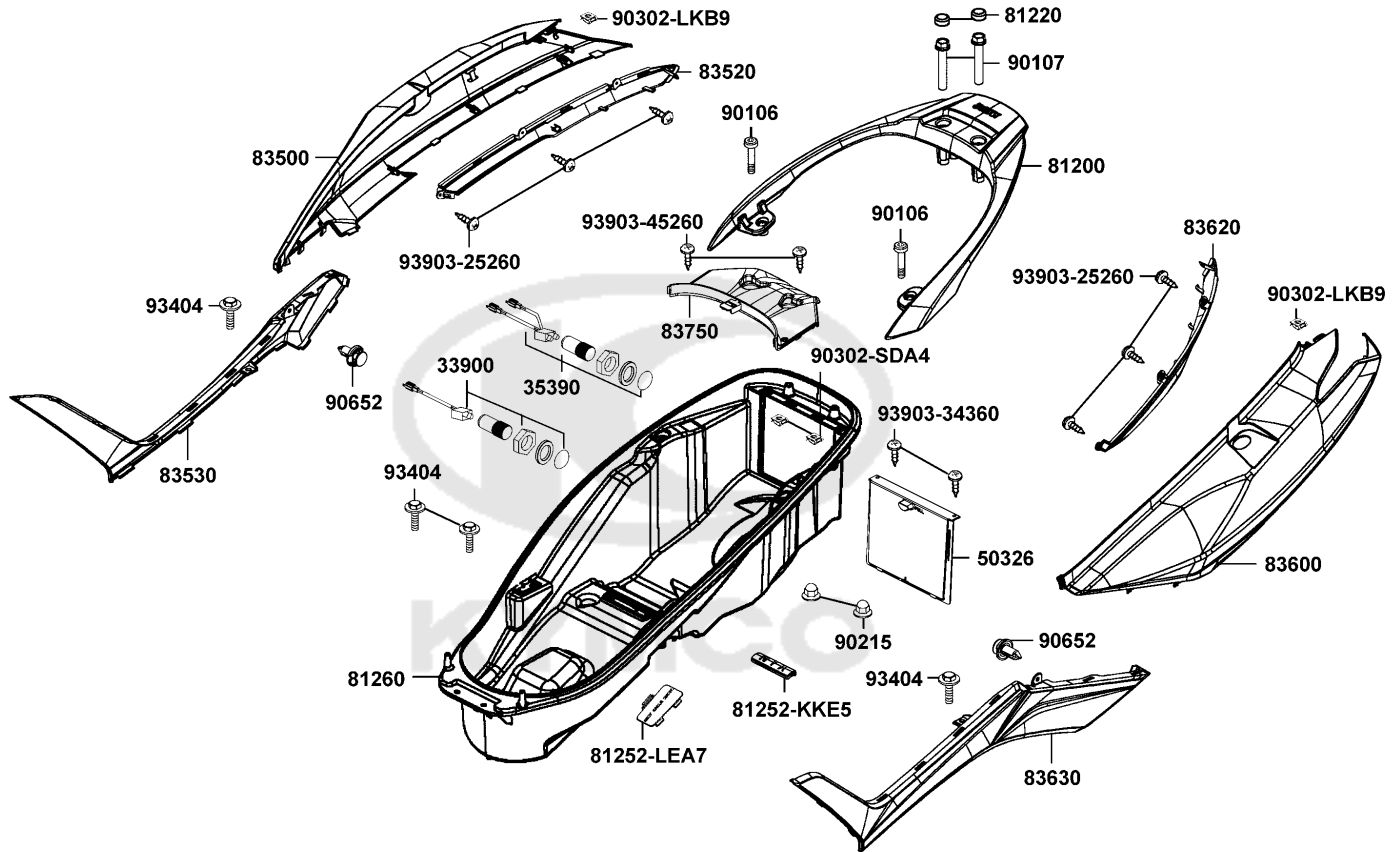
| Sales mark | Ref no | Part no | Description | Reg description | Regd no | F11 |
|------------|-------------|----------------|--------------------|--------------------|---------|-----|
| | 31500 | 31500-LEA6-900 | BATTERY YT12A-BS | BATTERY YT12A-BS | 1 | |
| | 31500 | 31500-LEA6-90B | BATTERY GT12A-BS | BATTERY GT12A-BS | 1 | |
| | 32411 | 32411-ACD5-E00 | CABLE BAT | CABLE BAT | 1 | |
| | 5032A-LEA5 | 5032A-LEA5-E00 | CASE ASSY BATTERY | CASE ASSY BATTERY | 1 | |
| | 5032A-LEA7 | 5032A-LEA7-E00 | COVER ASSY BATTERY | COVER ASSY BATTERY | 1 | |
| | 90112 | 90112-KNBN-901 | BOLT FLANGE 6MM | BOLT FLANGE 6MM | 3 | |
| | 90302 | 90302-GFY6-940 | BOLT-WASH 5*16 | BOLT-WASH 5*16 | 4 | |
| | 90677 | 90677-GAR1-004 | NUT CLIP 5MM | NUT CLIP 5MM | 1 | |
| | 98200-31000 | 98200-31000 | BLADE FUSE 10A | BLADE FUSE 10A | 1 | |
| | 98200-31500 | 98200-31500 | BLADE FUSE 15A | BLADE FUSE 15A | 1 | |
| | 98200-33000 | 98200-33000 | BLADE FUSE 30A | BLADE FUSE 30A | 1 | |





| Sales mark | Ref no | Part no | Description | Reg description | Regd no | F12 |
|------------|------------|----------------|--------------------------|--------------------------|---------|-----|
| | 33900 | 33900-LKF5-E00 | LIGHT ASSY LUGGAGE BOX | LIGHT ASSY LUGGAGE BOX | 1 | |
| | 35390 | 35390-LKF5-E00 | SENSOR LUGGAGE BOX LIGHT | SENSOR LUGGAGE BOX LIGHT | 1 | |
| ** | 50326 | 50326-LGJ8-900 | COVER.BATTERY LUGGAGE | COVER.BATTERY LUGGAGE | 1 | |
| ** | 81200 | 81200-ACD5-E00 | CARRIER REAR | CARRIER REAR | 1 | |
| ** | 81220 | 81220-LKG7-E00 | CAP RR GRIP | CAP RR GRIP | 1 | |
| | 81252-KKE5 | 81252-KKE5-E00 | PLUG LUGGAGE BOX | PLUG LUGGAGE BOX | 1 | |
| | 81252-LEA7 | 81252-LEA7-E00 | COVER P.D.A. MAINT | COVER P.D.A. MAINT | 1 | |
| ** | 81260 | 81260-ACD5-E00 | BOX ASSY LUGGAGE | BOX ASSY LUGGAGE | 1 | |
| ** | 83500 | 83500-ACD5-E00 | COVER R BODY | COVER R BODY | 1 | |
| ** | 83520 | 83520-ACD5-E00 | RR MOLDING R SIDE | RR MOLDING R SIDE | 1 | |
| ** | 83530 | 83530-ACD5-E00 | BOARD A R SIDE | BOARD A R SIDE | 1 | |
| ** | 83600 | 83600-ACD5-E00 | COVER L BODY | COVER L BODY | 1 | |
| ** | 83620 | 83620-ACD5-E00 | RR MOLDING L SIDE | RR MOLDING L SIDE | 1 | |
| ** | 83630 | 83630-ACD5-E00 | BOARD A L SIDE | BOARD A L SIDE | 1 | |
| ** | 83750 | 83750-ACD5-E00 | COVER A RR CENTER | COVER A RR CENTER | 1 | |
| | 90106 | 90106-KFAF-900 | BOLT SPECIAL | BOLT SPECIAL | 4 | |
| | 90107 | 90107-ACD5-E00 | BOLT SPECIAL 8MM | BOLT SPECIAL 8MM | 2 | |
| | 90215 | 90215-KKC4-900 | NUT CAP 6MM | NUT CAP 6MM | 2 | |
| | 90302-LKB9 | 90302-LKB9-900 | NUT SPRING 5MM | NUT SPRING 5MM | 2 | |
| | 90302-SDA4 | 90302-SDA4-004 | NUT SPRING 4MM | NUT SPRING 4MM | 2 | |

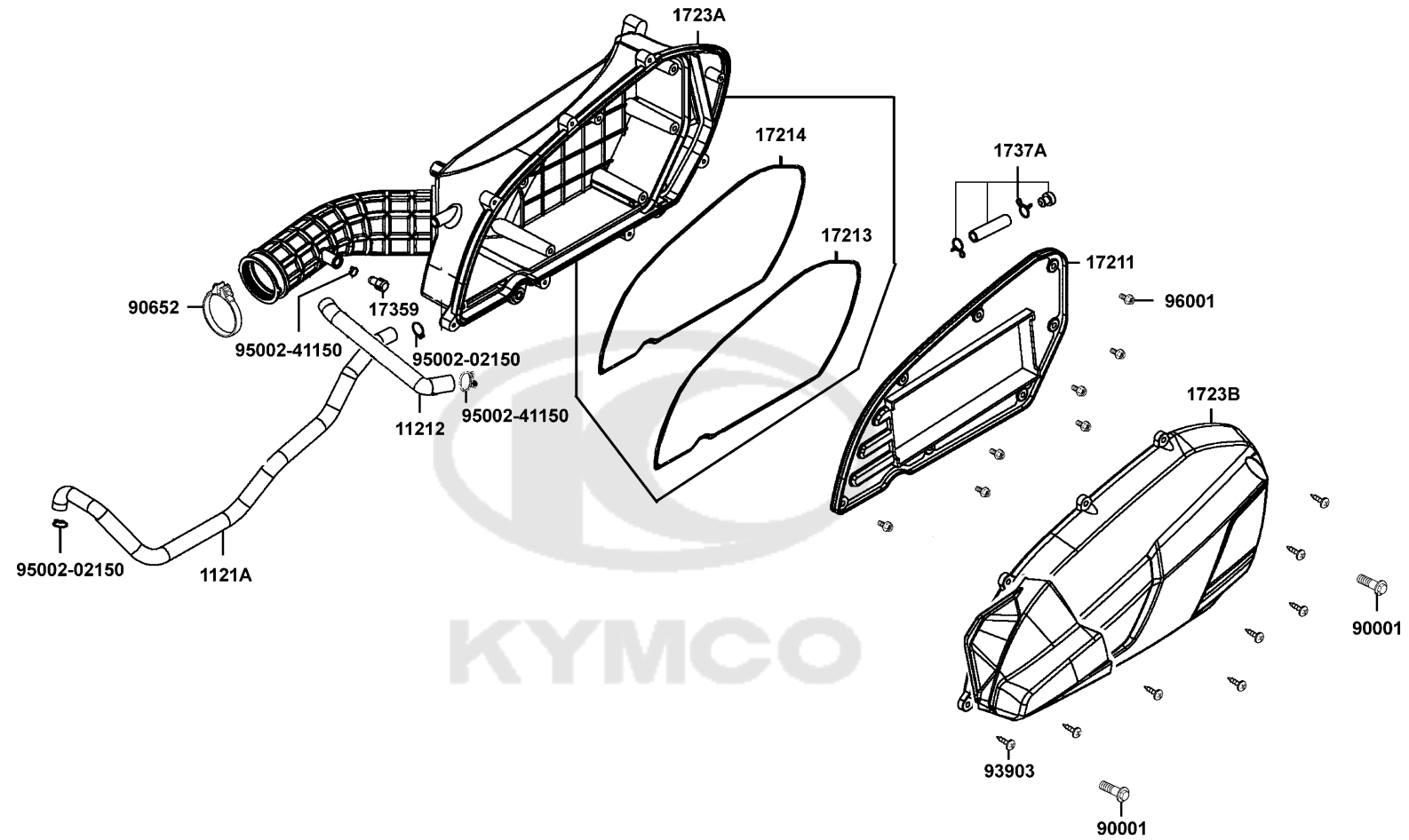
Body Cover Luggage Box



| Sales mark | Ref no | Part no | Description | Reg description | Regd no | F12 |
|------------|--------|---------|-------------|-----------------|---------|------------|
|------------|--------|---------|-------------|-----------------|---------|------------|

| | | | | | | |
|-------------|--|----------------|------------------------|------------------------|---|--|
| 90652 | | 90652-LCA4-E00 | CLIP MUDGUARD | CLIP MUDGUARD | 2 | |
| 93404 | | 93404-06016-06 | BOLT WASHER 6*16 | BOLT WASHER 6*16 | 4 | |
| 93903-25260 | | 93903-25260 | SCREW TAPPING 5*12 | SCREW TAPPING 5*12 | 6 | |
| 93903-34360 | | 93903-34360 | SCREW TAPPING 4*12 (G) | SCREW TAPPING 4*12 (G) | 2 | |
| 93903-45260 | | 93903-45260 | SCREW TAPPING 5*12 | SCREW TAPPING 5*12 | 2 | |

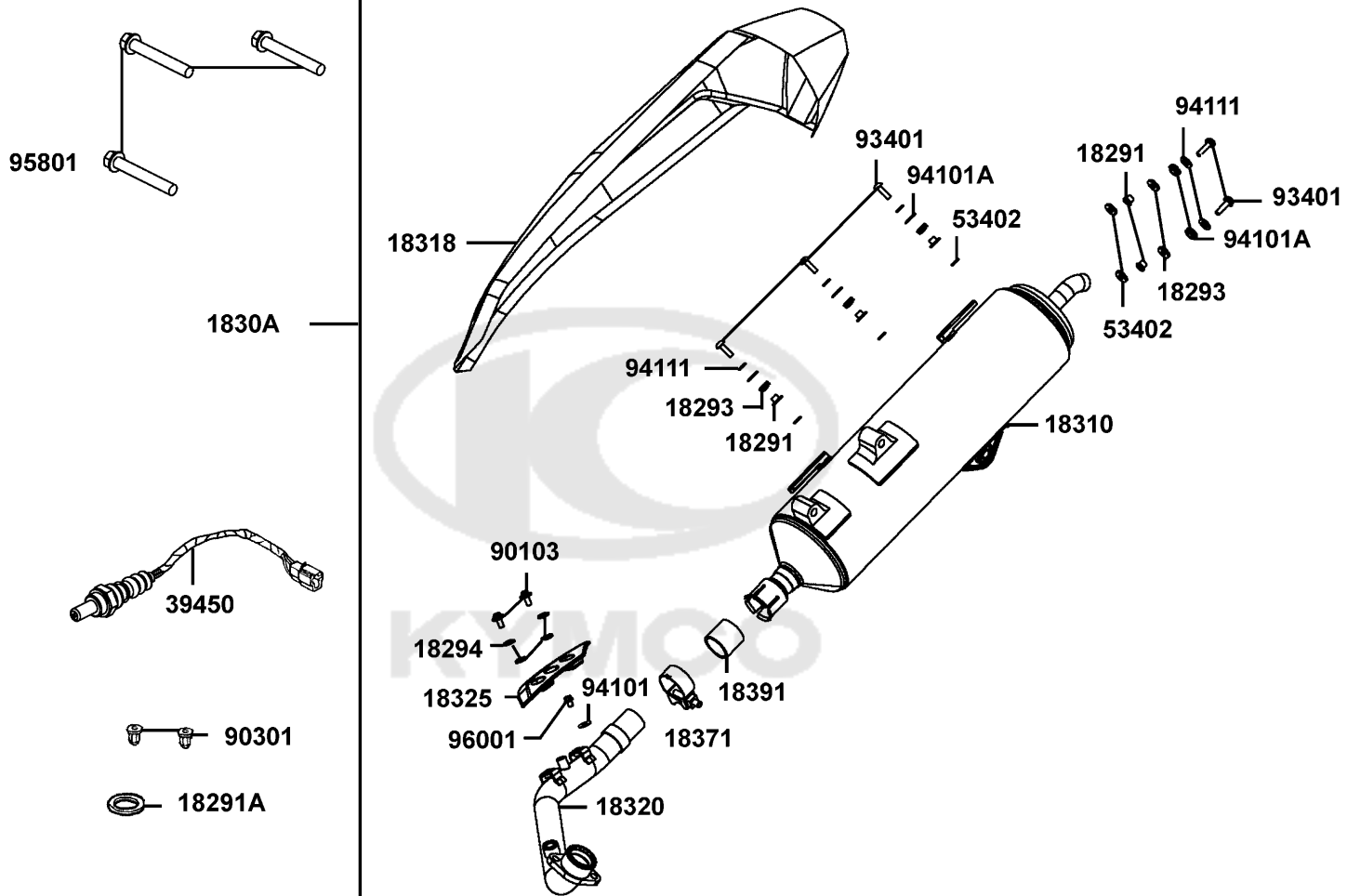




| Sales mark | Ref no | Part no | Description | Reg description | Regd no | F13 |
|-------------|--------|----------------|----------------------|----------------------|---------|------------|
| 11212 | | 11212-LEA7-E00 | TUBE AIR/C BLOW-BY | TUBE AIR/C BLOW-BY | 1 | |
| 1121A | | 1121A-LEA7-E00 | TUBE BREATHER | TUBE BREATHER | 1 | |
| 17211 | | 17211-LEA7-E00 | ELEMENT AIR/C | ELEMENT AIR/C | 1 | |
| 17213 | | 17213-LEA7-E01 | SEAL ELEMENT AIR/C | SEAL ELEMENT AIR/C | 1 | |
| 17214 | | 17214-LEA7-E00 | SEAL CASE AIR/C | SEAL CASE AIR/C | 1 | |
| 1723A | | 1723A-ACD5-E00 | CASE ASSY AIR/C | CASE ASSY AIR/C | 1 | |
| 1723B | | 1723B-ACD5-E00 | COVER COMP AIR/C | COVER COMP AIR/C | 1 | |
| 17359 | | 17359-4K19-671 | JOINT BREATHER TUBE | JOINT BREATHER TUBE | 1 | |
| 1737A | | 1737A-KUDU-900 | V TUBE ASSY | V TUBE ASSY | 1 | |
| 90001 | | 90001-GBHB-681 | BOLT FLANGE SHF 6*28 | BOLT FLANGE SHF 6*28 | 2 | |
| 90652 | | 90652-KHE7-900 | BAND CONNECTING TUBE | BAND CONNECTING TUBE | 1 | |
| 93903 | | 93903-25460 | SCREW TAPPING 5*20 | SCREW TAPPING 5*20 | 8 | |
| 95002-02150 | | 95002-02150 | CLIP B14.5 TUBE | CLIP B14.5 TUBE | 2 | |
| 95002-41150 | | 95002-41150-00 | CLIP D11.5 TUBE | CLIP D11.5 TUBE | 3 | |
| 96001 | | 96001-GFY6-900 | BOLT SPECIAL 5X10 | BOLT SPECIAL 5X10 | 7 | |

F14

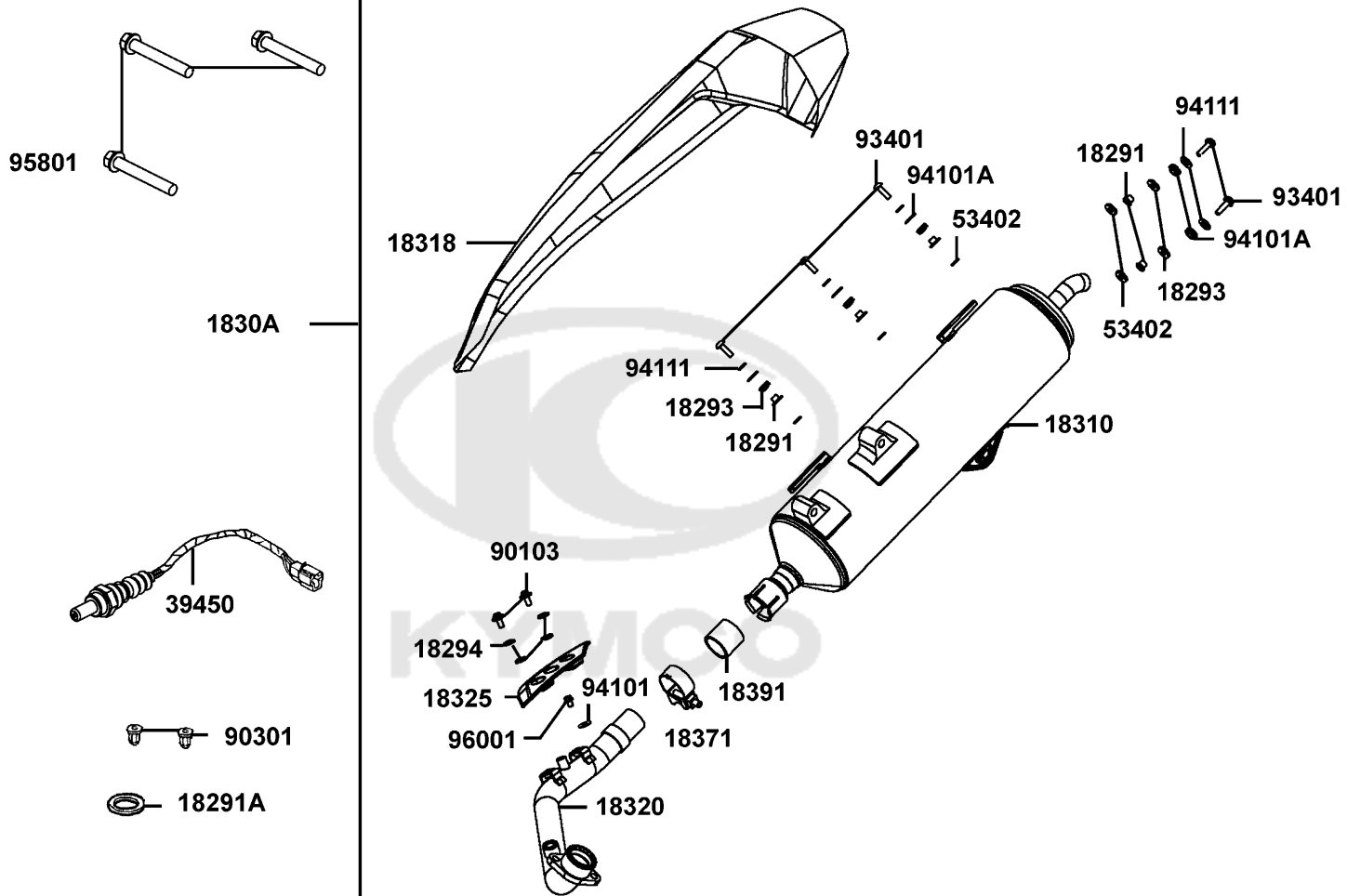
Exhaust Muffler



| Sales mark | Ref no | Part no | Description | Reg description | Regd no | F14 |
|------------|--------|----------------|-------------------------|-------------------------|---------|-----|
| | 18291 | 18291-LKG2-90A | COLLAR | COLLAR | 5 | |
| | 18291A | 18291-PWB1-900 | SEAL EXHAUST PIPE | SEAL EXHAUST PIPE | 1 | |
| | 18293 | 18293-LHJ8-900 | RUBBER PKG PROTR | RUBBER PKG PROTR | 5 | |
| | 18294 | 18294-KTCT-900 | PACKING PROTECTOR | PACKING PROTECTOR | 4 | |
| ** | 1830A | 1830A-ACD5-E00 | MUFFLER ASSY. EXH. | MUFFLER ASSY. EXH. | 1 | |
| | 18310 | 18310-ACD5-E00 | MUFFLER COMP | MUFFLER COMP | 1 | |
| ** | 18318 | 18318-ACD5-E00 | PROTECTOR MUFFLER | PROTECTOR MUFFLER | 1 | |
| | 18320 | 18320-ACD5-E00 | PIPE EXHAUST | PIPE EXHAUST | 1 | |
| ** | 18325 | 18325-ACD5-E00 | PROTECTOR EXHAUST | PROTECTOR EXHAUST | 1 | |
| | 18371 | 18371-ACD5-E00 | BAND MUFFLER | BAND MUFFLER | 1 | |
| | 18391 | 18391-ACD5-E00 | GASKET | GASKET | 1 | |
| | 39450 | 39450-LEA6-800 | O2 SENSOR | O2 SENSOR | 1 | |
| | 53402 | 53402-LBE1-900 | WASHER SWING ARM | WASHER SWING ARM | 5 | |
| | 90103 | 90103-LGE5-E00 | BOLT WASHER 6X14 | BOLT WASHER 6X14 | 2 | |
| | 90301 | 90301-GFY6-901 | NUT (HEX) CAP 8MM | NUT (HEX) CAP 8MM | 2 | |
| | 93401 | 93401-LEA7-900 | BOLT WASHER 6X13 | BOLT WASHER 6X13 | 5 | |
| | 94101 | 94101-06700 | WASHER PLAIN 6MM | WASHER PLAIN 6MM | 1 | |
| | 94101A | 94101-LEA2-900 | WASHER PLAIN 6.5*18*105 | WASHER PLAIN 6.5*18*105 | 5 | |
| | 94111 | 94111-06700 | WASHER SPG 6MM | WASHER SPG 6MM | 5 | |
| | 95801 | 95801-10060-06 | BOLT FLANGE 10*60 | BOLT FLANGE 10*60 | 3 | |

F14

Exhaust Muffler



| Sales mark | Ref no | Part no | Description | Reg description | Regd no | F14 |
|------------|--------|---------|-------------|-----------------|---------|------------|
|------------|--------|---------|-------------|-----------------|---------|------------|

96001

96001-06008-07

BOLT FLANGE SH 6*8

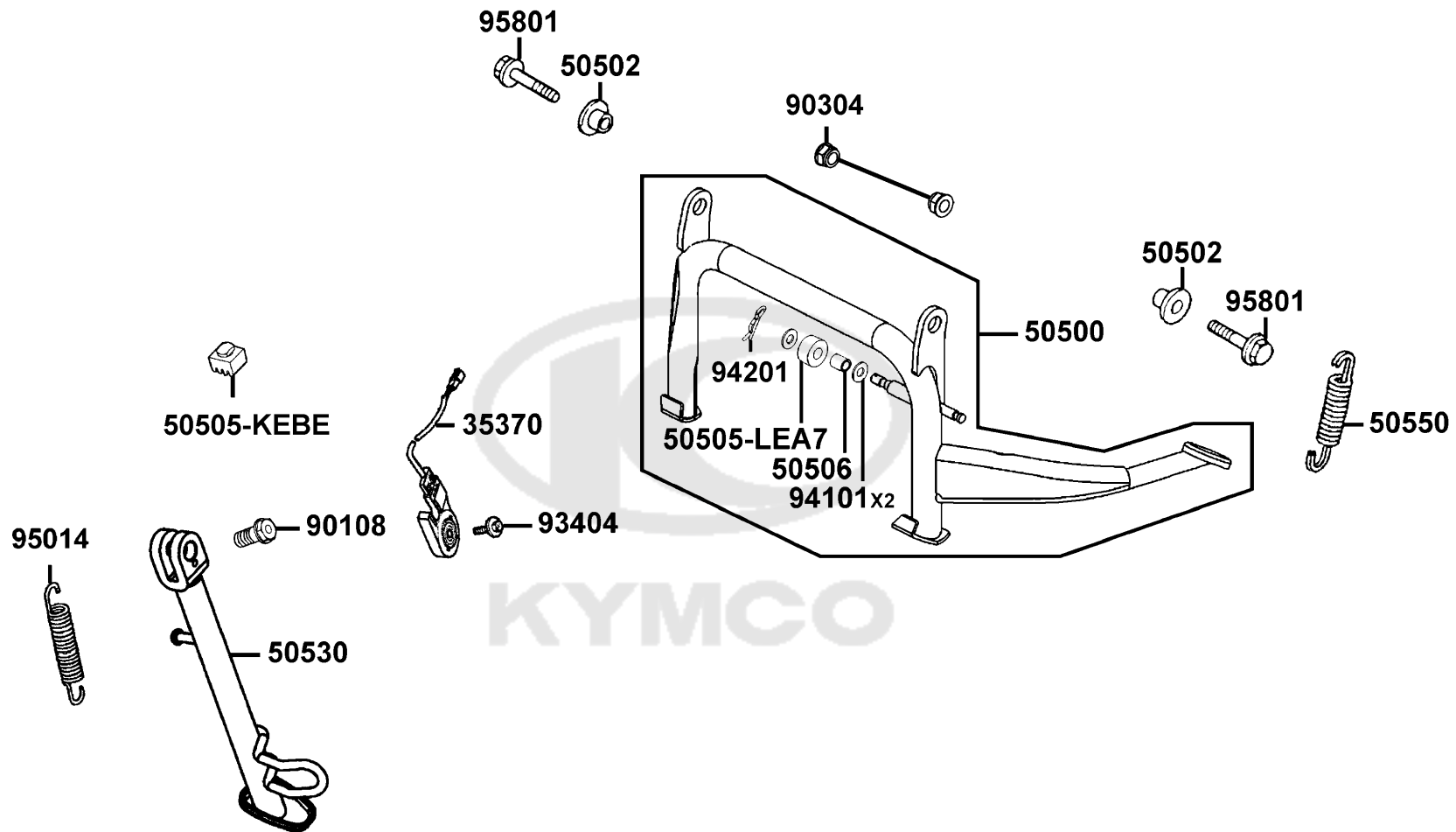
BOLT FLANGE SH 6*8

1



F15

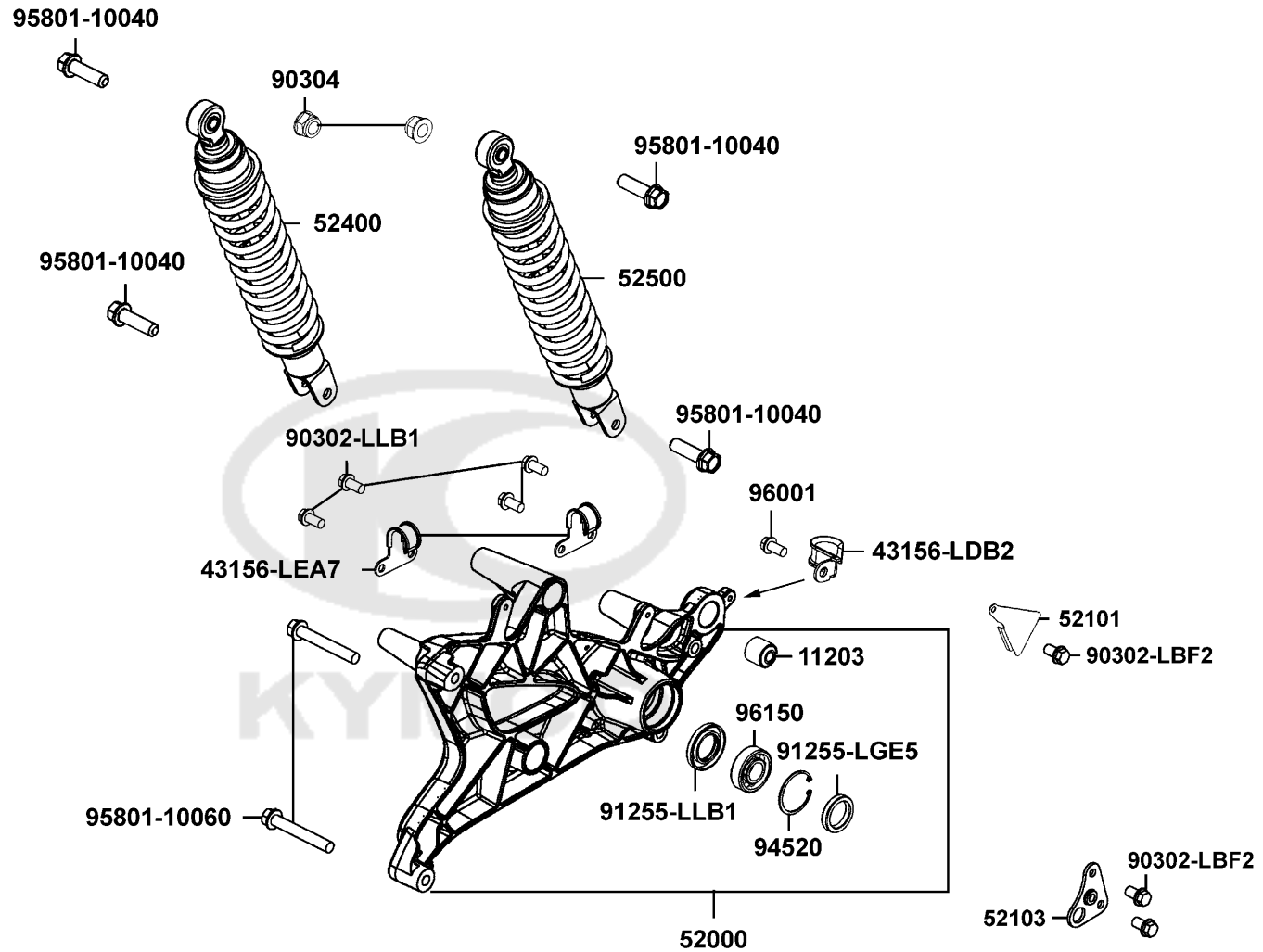
Stand



| Sales mark | Ref no | Part no | Description | Reg description | Regd no | F15 |
|------------|--------|----------------|------------------------|------------------------|---------|------------|
| 35370 | | 35370-LLJ3-E00 | SW UNIT SIDE STAND | SW UNIT SIDE STAND | 1 | |
| 50500 | | 50500-ACD5-E00 | STAND COMP MAIN | STAND COMP MAIN | 1 | |
| 50502 | | 50502-LDF7-E10 | COLLAR MAIN STAND | COLLAR MAIN STAND | 2 | |
| 50505-KEBE | | 50505-KEBE-900 | STOPPER RUBBER | STOPPER RUBBER | 1 | |
| 50505-LEA7 | | 50505-LEA7-E00 | STOPPER RUBBER | STOPPER RUBBER | 1 | |
| 50506 | | 50506-KHE7-E00 | COLLAR STOPPER RUBBER | COLLAR STOPPER RUBBER | 1 | |
| 50530 | | 50530-ZZA6-E00 | BAR SIDE STAND | BAR SIDE STAND | 1 | |
| 50550 | | 50550-KKC2-E00 | SPG ASSY MAIN STAND | SPG ASSY MAIN STAND | 1 | |
| 90108 | | 90108-KKC4-900 | SCREW SIDE STAND PIVOT | SCREW SIDE STAND PIVOT | 1 | |
| 90304 | | 90304-LEA1-900 | NUT U FLANGE 10MM | NUT U FLANGE 10MM | 2 | |
| 93404 | | 93404-06016-06 | BOLT WASHER 6*16 | BOLT WASHER 6*16 | 1 | |
| 94101 | | 94101-08600 | WASH PLAIN 8MM | WASH PLAIN 8MM | 2 | |
| 94201 | | 94201-20180 | PIN SPLIT 2.0*18 | PIN SPLIT 2.0*18 | 1 | |
| 95014 | | 95014-72204 | SPG B1 SIDE STAND | SPG B1 SIDE STAND | 1 | |
| 95801 | | 95801-10030-06 | BOLT FLANGE 10*30(G) | BOLT FLANGE 10*30(G) | 2 | |

F16

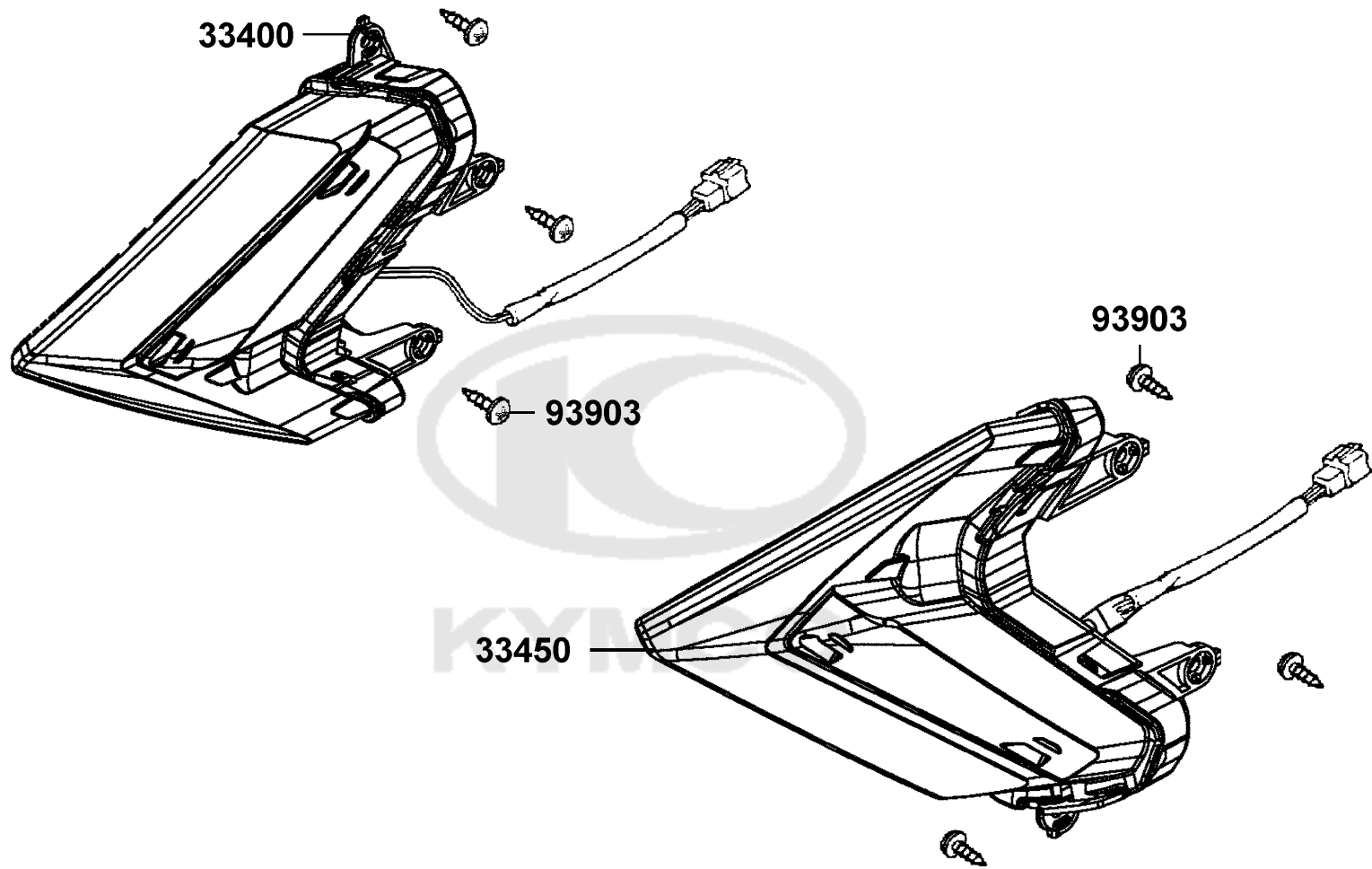
Rr Cushion



| Sales mark | Ref no | Part no | Description | Reg description | Regd no | F16 |
|------------|-------------|----------------|--------------------------|--------------------------|---------|-----|
| | 11203 | 11203-LBA2-E00 | RUB BUSH L CASE | RUB BUSH L CASE | 1 | |
| | 43156-LDB2 | 43156-LDB2-900 | CLAMPER HOSE RR | CLAMPER HOSE RR | 1 | |
| | 43156-LEA7 | 43156-LEA7-E00 | CLAMPER HOSE RR | CLAMPER HOSE RR | 2 | |
| ** | 52000 | 52000-ACD5-E00 | FORK ASSY RR | FORK ASSY RR | 1 | |
| | 52101 | 52101-LGE5-E01 | STAY RR SPEED SENSOR | STAY RR SPEED SENSOR | 1 | |
| | 52103 | 52103-ACD5-E01 | STAY ABS SENSOR | STAY ABS SENSOR | 1 | |
| ** | 52400 | 52400-ACD5-E00 | CUSHION ASSY RR R/H | CUSHION ASSY RR R/H | 1 | |
| ** | 52500 | 52500-ACD5-E00 | CUSHION ASSY RR L/H | CUSHION ASSY RR L/H | 1 | |
| | 90302-LBF2 | 90302-LBF2-900 | BOLT-WASH M5*10 | BOLT-WASH M5*10 | 3 | |
| | 90302-LLB1 | 90302-LLB1-E00 | BOLT-WASHER 5*12 | BOLT-WASHER 5*12 | 2 | |
| | 90304 | 90304-LEA1-900 | NUT U FLANGE 10MM | NUT U FLANGE 10MM | 2 | |
| | 91255-LGE5 | 91255-LGE5-E00 | OIL SEAL 30*48*7 | OIL SEAL 30*48*7 | 1 | |
| | 91255-LLB1 | 91255-LLB1-900 | OIL SEAL 30*40*7 | OIL SEAL 30*40*7 | 1 | |
| | 94520 | 94520-47000 | CIR CLIP IN 47 | CIR CLIP IN 47 | 1 | |
| | 95801-10040 | 95801-10040-06 | BOLT FLANGE 10*40 | BOLT FLANGE 10*40 | 4 | |
| | 95801-10060 | 95801-10060-06 | BOLT FLANGE 10*60 | BOLT FLANGE 10*60 | 2 | |
| | 96001 | 96001-06012-06 | BOLT FLANGE SH 6*12 | BOLT FLANGE SH 6*12 | 1 | |
| | 96150 | 96150-62040-10 | BEARING BALL RADIAL 6204 | BEARING BALL RADIAL 6204 | 1 | |

F17

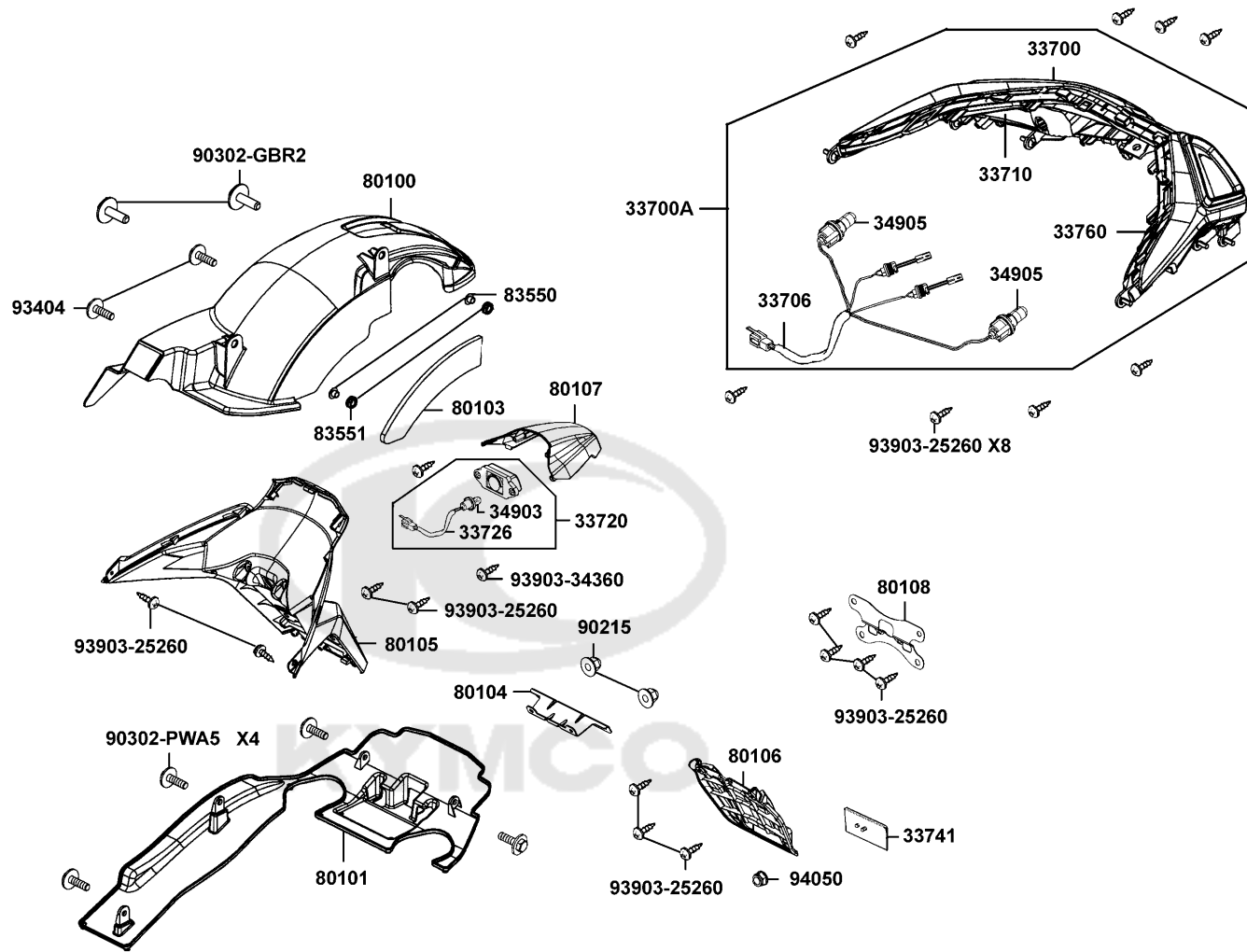
Front Winker



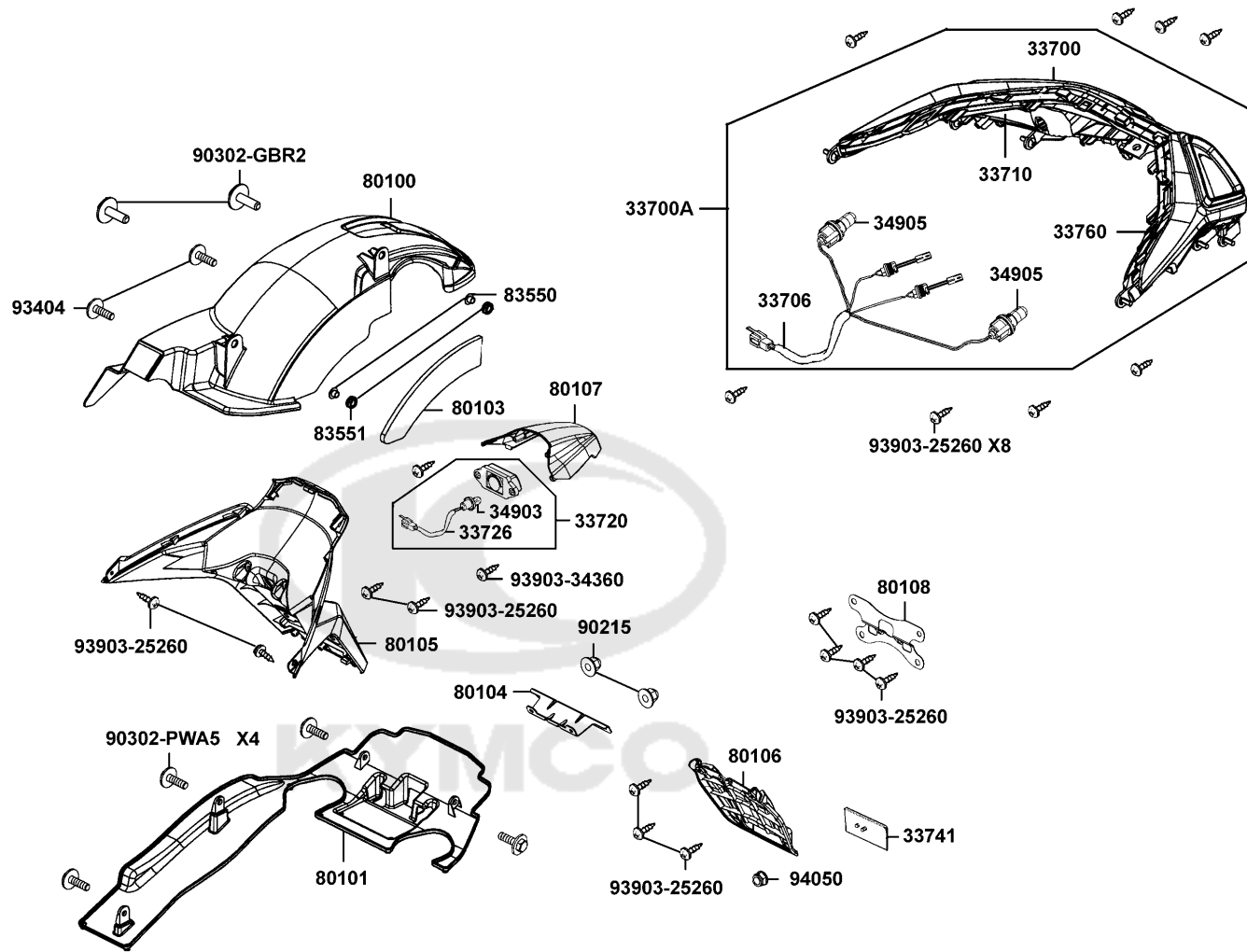
| Sales mark | Ref no | Part no | Description | Reg description | Regd no | F17 |
|------------|--------|---------|-------------|-----------------|---------|------------|
|------------|--------|---------|-------------|-----------------|---------|------------|

| | | | | | | |
|-------|--|----------------|--------------------|--------------------|---|--|
| 33400 | | 33400-ACD5-E00 | WINKER ASSY R FR | WINKER ASSY R FR | 1 | |
| 33450 | | 33450-ACD5-E00 | WINKER ASSY L FR | WINKER ASSY L FR | 1 | |
| 93903 | | 93903-25260 | SCREW TAPPING 5*12 | SCREW TAPPING 5*12 | 6 | |



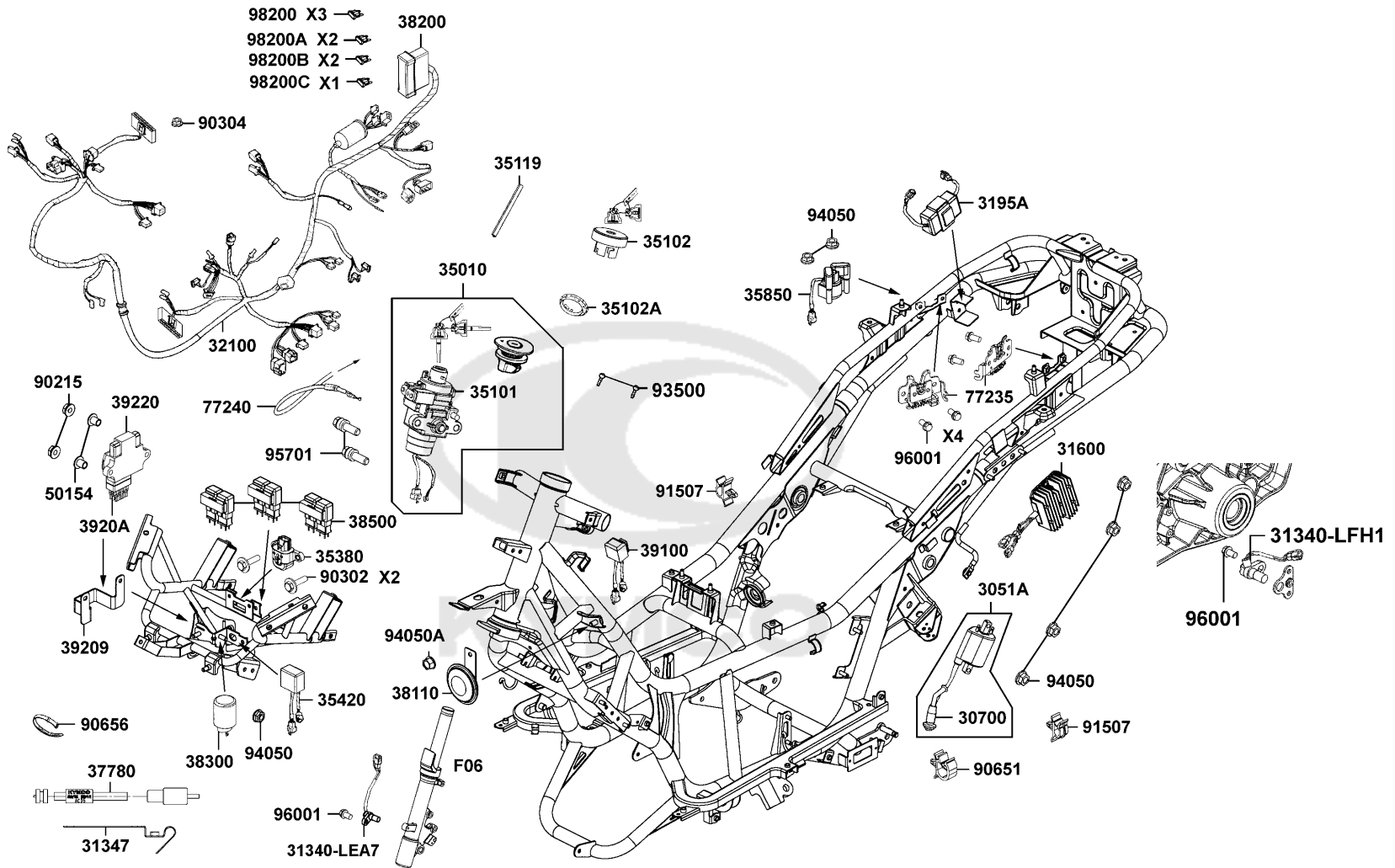


| Sales mark | Ref no | Part no | Description | Reg description | Regd no | F18 |
|------------|--------|----------------|---------------------|---------------------|---------|-----|
| | 33700 | 33700-ACD5-315 | LIGHT UNIT | LIGHT UNIT | 1 | |
| | 33700A | 33700-ACD5-E00 | LIGHT ASSY RR COMB | LIGHT ASSY RR COMB | 1 | |
| | 33706 | 33706-ACD5-E00 | SOCKET COMP | SOCKET COMP | 1 | |
| | 33710 | 33710-ACD5-315 | LIGHT ASSY R TAIL | LIGHT ASSY R TAIL | 1 | |
| | 33720 | 33720-LBB5-E00 | LIGHT ASSY LICENSE | LIGHT ASSY LICENSE | 1 | |
| | 33726 | 33726-LBB5-E00 | SCOKET COMP | SCOKET COMP | 1 | |
| | 33741 | 33741-KHC5-M00 | REFLEX REFLECTOR | REFLEX REFLECTOR | 1 | |
| | 33760 | 33760-ACD5-315 | LIGHT ASSY L TAIL | LIGHT ASSY L TAIL | 1 | |
| | 34903 | 34903-KPCP-900 | BULB POSITION | BULB POSITION | 1 | |
| | 34905 | 34905-LCA5-E00 | BULB WINKER | BULB WINKER | 2 | |
| ** | 80100 | 80100-ACD5-E00 | FENDER RR TIRE | FENDER RR TIRE | 1 | |
| ** | 80101 | 80101-ACD5-E00 | FENDER A RR | FENDER A RR | 1 | |
| | 80103 | 80103-LEA7-E00 | SPONGE TAPE FENDER | SPONGE TAPE FENDER | 1 | |
| | 80104 | 80104-LKG7-E00 | STAY NO. PLATE | STAY NO. PLATE | 1 | |
| ** | 80105 | 80105-ACD5-E00 | FENDER REAR | FENDER REAR | 1 | |
| ** | 80106 | 80106-LKF5-E00 | RR FENDER LOW | RR FENDER LOW | 1 | |
| ** | 80107 | 80107-LKF5-E00 | COVER LICENSE LIGHT | COVER LICENSE LIGHT | 1 | |
| | 80108 | 80108-LKG7-E00 | STAY RR FENDER | STAY RR FENDER | 1 | |
| | 83550 | 83550-KEC8-900 | COLLAR | COLLAR | 2 | |
| | 83551 | 83551-KEC8-900 | GROMMET COVER | GROMMET COVER | 2 | |

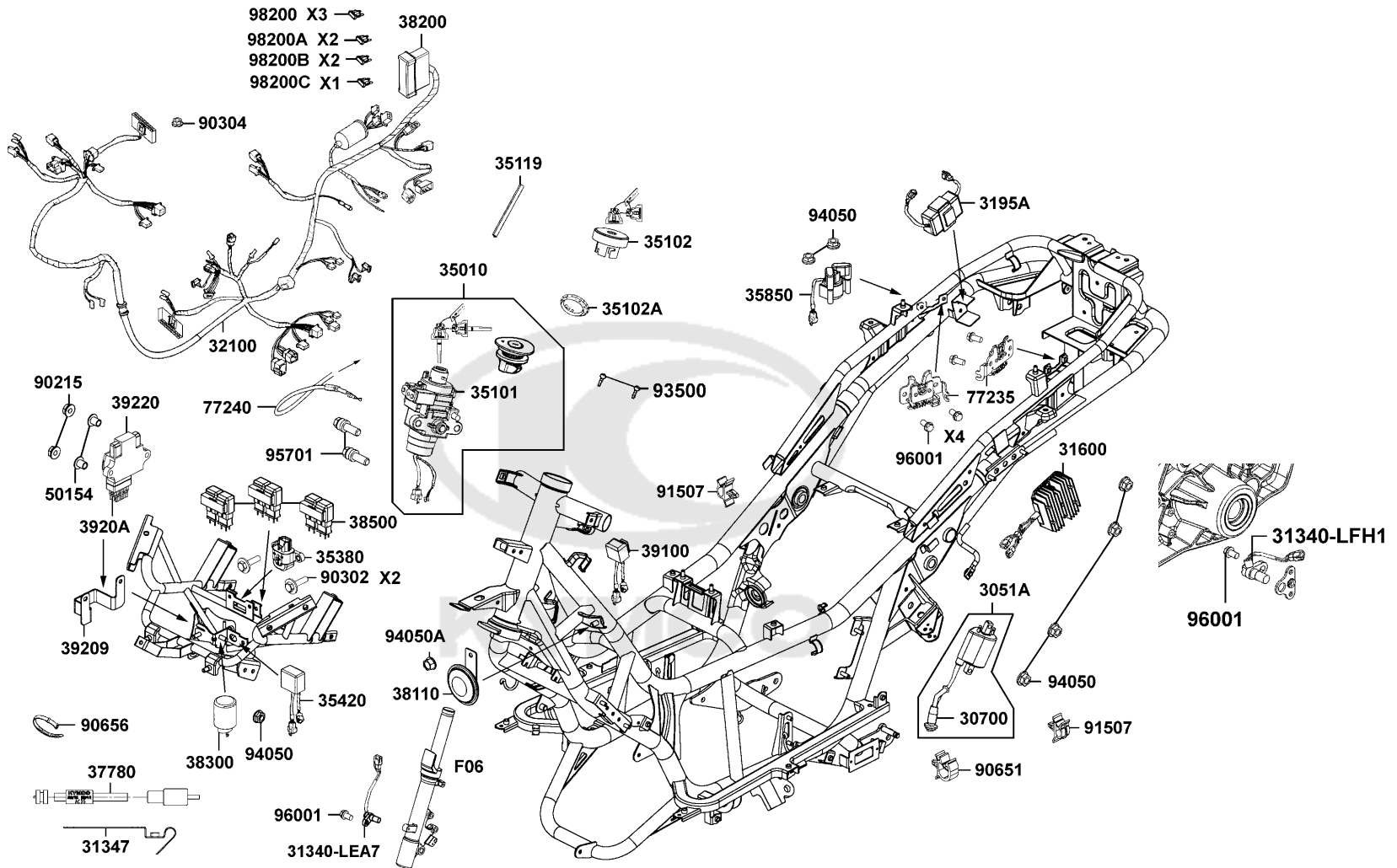


| Sales mark | Ref no | Part no | Description | Reg description | Regd no | F18 |
|-------------|--------|----------------|------------------------|------------------------|---------|------------|
| 90215 | | 90215-KKC4-900 | NUT CAP 6MM | NUT CAP 6MM | 2 | |
| 90302-GBR2 | | 90302-GBR2-001 | BOLT WASH 5*16 | BOLT WASH 5*16 | 2 | |
| 90302-PWA5 | | 90302-PWA5-900 | BOLT-WASH 5*12 | BOLT-WASH 5*12 | 4 | |
| 93404 | | 93404-06016-06 | BOLT WASHER 6*16 | BOLT WASHER 6*16 | 2 | |
| 93903-25260 | | 93903-25260 | SCREW TAPPING 5*12 | SCREW TAPPING 5*12 | 19 | |
| 93903-34360 | | 93903-34360 | SCREW TAPPING 4*12 (G) | SCREW TAPPING 4*12 (G) | 2 | |
| 94050 | | 94050-05080 | NUT FLANGE 5MM | NUT FLANGE 5MM | 1 | |

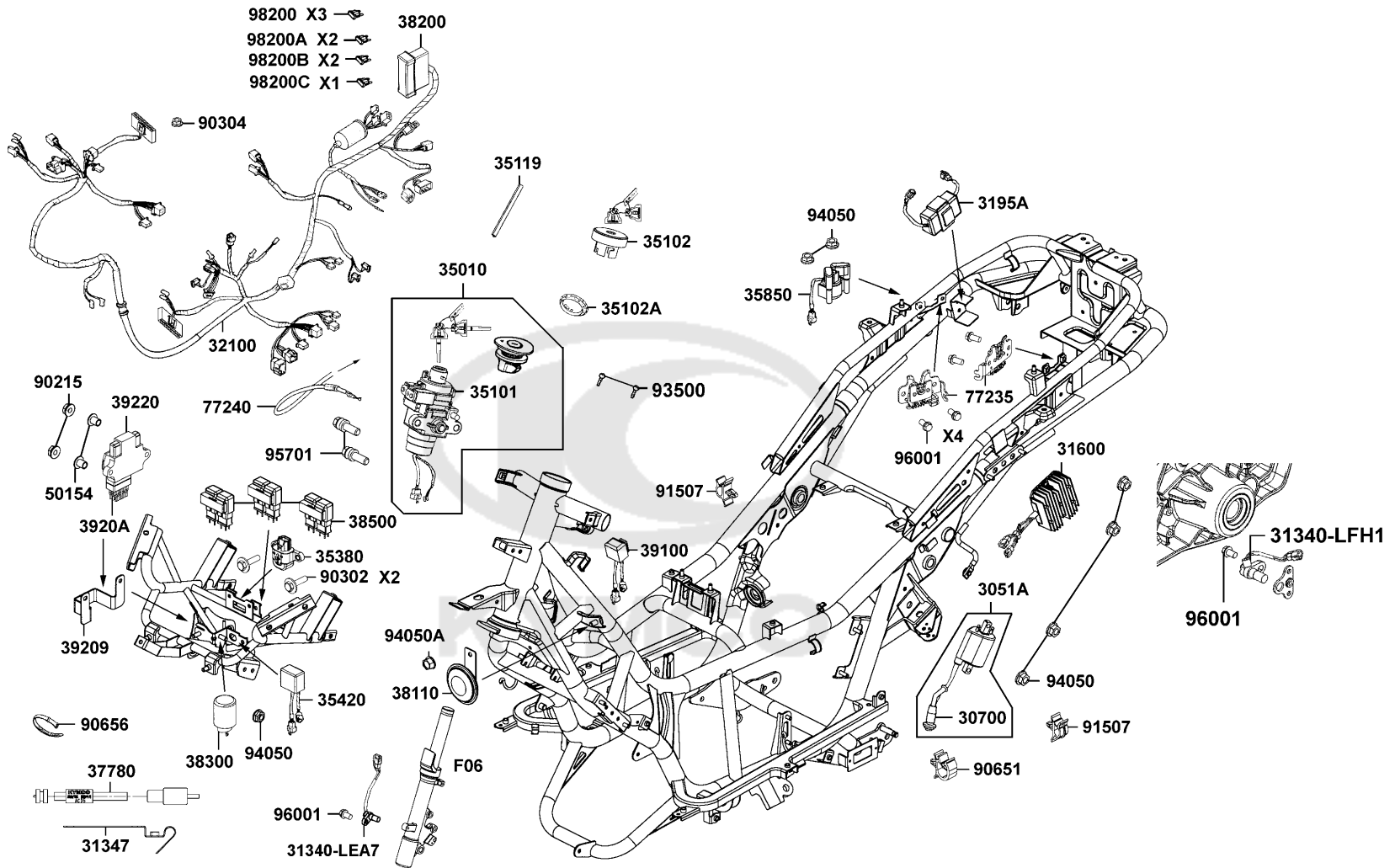




| Sales mark | Ref no | Part no | Description | Reg description | Regd no | F19 |
|------------|--------|----------------|---------------------------|---------------------------|---------|------------|
| 3051A | | 3051A-LKF5-E00 | COIL ASSY. IGN | COIL ASSY. IGN | 1 | |
| 30700 | | 30700-KKE3-900 | CAP ASSY NOISE SUPPRESOR | CAP ASSY NOISE SUPPRESOR | 1 | |
| 31340-LEA7 | | 31340-LEA7-E00 | SENSOR FR WHEEL SPEED | SENSOR FR WHEEL SPEED | 1 | |
| 31340-LFH1 | | 31340-LFH1-E00 | SENSOR RR WHEEL SPEED | SENSOR RR WHEEL SPEED | 1 | |
| 31347 | | 31347-ACD5-E00 | CLAMPER SPEED SENSOR | CLAMPER SPEED SENSOR | 1 | |
| 31600 | | 31600-PRB8-900 | REG RECT COMP | REG RECT COMP | 1 | |
| 3195A | | 3195A-ACD5-E00 | CONTROL ASSY..HAZARD | CONTROL ASSY..HAZARD | 1 | |
| 32100 | | 32100-ACD5-E01 | HARNES WIRE | HARNES WIRE | 1 | |
| 35010 | | 35010-ACD5-315 | KEY SET COMB | KEY SET COMB | 1 | |
| 35101 | | 35101-ACD5-315 | KEY SET LOCK& COMB | KEY SET LOCK& COMB | 1 | |
| 35102 | | 35102-ACD5-315 | SHUTTER SET MAGNETIC LOCK | SHUTTER SET MAGNETIC LOCK | 1 | |
| 35102A | | 35102-ACD5-E00 | COLLAR MAIN SW | COLLAR MAIN SW | 1 | |
| 35119 | | 35119-KHC4-90B | COVER SEAT CABLE | COVER SEAT CABLE | 1 | |
| 35380 | | 35380-ABE1-E00 | SENSOR. ANGLE DETECT | SENSOR. ANGLE DETECT | 1 | |
| 35420 | | 35420-LEA7-E00 | CONTROLLER,OIL LAMP | CONTROLLER,OIL LAMP | 1 | |
| 35850 | | 35850-KHB4-90A | SET START MAG | SET START MAG | 1 | |
| 35850 | | 35850-KHB4-90B | SET START MAG | SET START MAG | 1 | |
| 37780 | | 37780-ACD5-E00 | SENSOR ASSY. ROOM TEMP | SENSOR ASSY. ROOM TEMP | 1 | |
| 38110 | | 38110-KHB4-E0A | HORN COMP | HORN COMP | 1 | |
| 38200 | | 38200-KHE7-900 | BOX COMP FUSE | BOX COMP FUSE | 1 | |

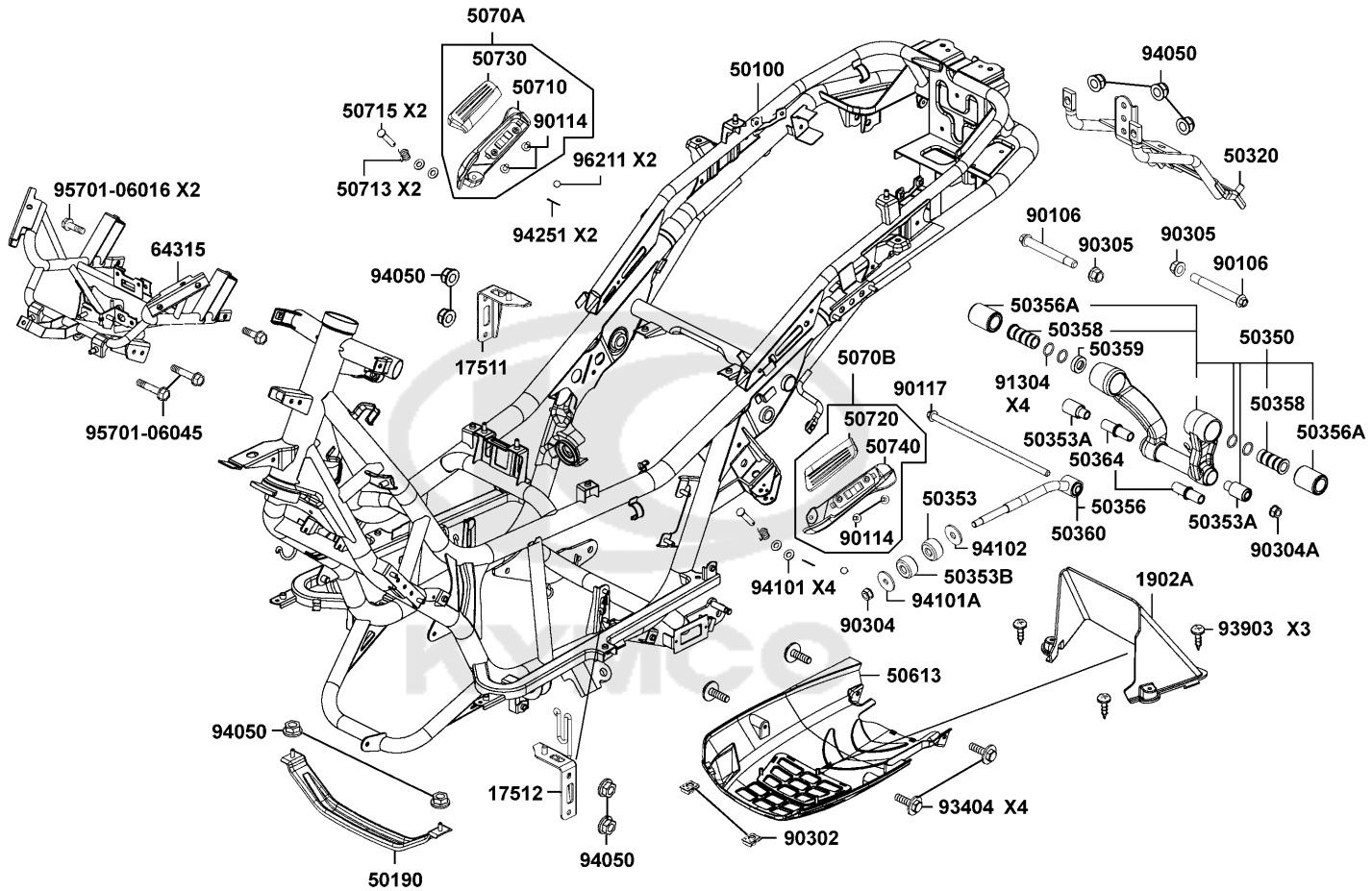


| Sales mark | Ref no | Part no | Description | Reg description | Regd no | F19 |
|------------|--------|----------------|----------------------|----------------------|---------|------------|
| | 38300 | 38300-LFB6-700 | RELAY ASSY WINKER | RELAY ASSY WINKER | 1 | |
| | 38500 | 38500-LFB6-90A | RELAY ASSY LIGHT | RELAY ASSY LIGHT | 3 | |
| | 38500 | 38500-LFB6-90B | RELAY ASSY LIGHT | RELAY ASSY LIGHT | 3 | |
| | 39100 | 39100-ACD5-E00 | EMI FILTER FAN MOTOR | EMI FILTER FAN MOTOR | 1 | |
| | 39209 | 39209-ZZA6-E00 | STAY ECU | STAY ECU | 1 | |
| | 3920A | 3920A-ACD5-E00 | ASSY ECU | ASSY ECU | 1 | |
| | 39220 | 39220-LKG2-900 | CUSHION ECU | CUSHION ECU | 1 | |
| | 50154 | 50154-KKE3-900 | COLLAR ECU | COLLAR ECU | 2 | |
| | 77235 | 77235-ZZA6-E00 | SEAT CATCH COMP | SEAT CATCH COMP | 2 | |
| | 77240 | 77240-ACD5-E00 | CABLE ASSY SEAT LOCK | CABLE ASSY SEAT LOCK | 1 | |
| | 90215 | 90215-ALK5-900 | NUT CAP 6MM | NUT CAP 6MM | 2 | |
| | 90302 | 90302-GFY6-940 | BOLT-WASH 5*16 | BOLT-WASH 5*16 | 2 | |
| | 90304 | 90304-ZZA6-E00 | NUT CAP 6MM | NUT CAP 6MM | 1 | |
| | 90651 | 90651-LEA2-900 | CLIP. TUBE | CLIP. TUBE | 1 | |
| ** | 90656 | 90656-KUDU-900 | BAND HARNESS WIRE | BAND HARNESS WIRE | 8 | |
| | 91507 | 91507-LEA7-E00 | CLIP | CLIP | 1 | |
| | 93500 | 93500-KHC4-90A | SCREW PAN 5*10 | SCREW PAN 5*10 | 2 | |
| | 94050 | 94050-06060 | NUT FLANGE 6MM | NUT FLANGE 6MM | 7 | |
| | 94050A | 94050-08060 | NUT FLANGE 8MM | NUT FLANGE 8MM | 1 | |
| | 95701 | 95701-LEA5-E00 | BOLT TORQUE 8*25 | BOLT TORQUE 8*25 | 2 | |

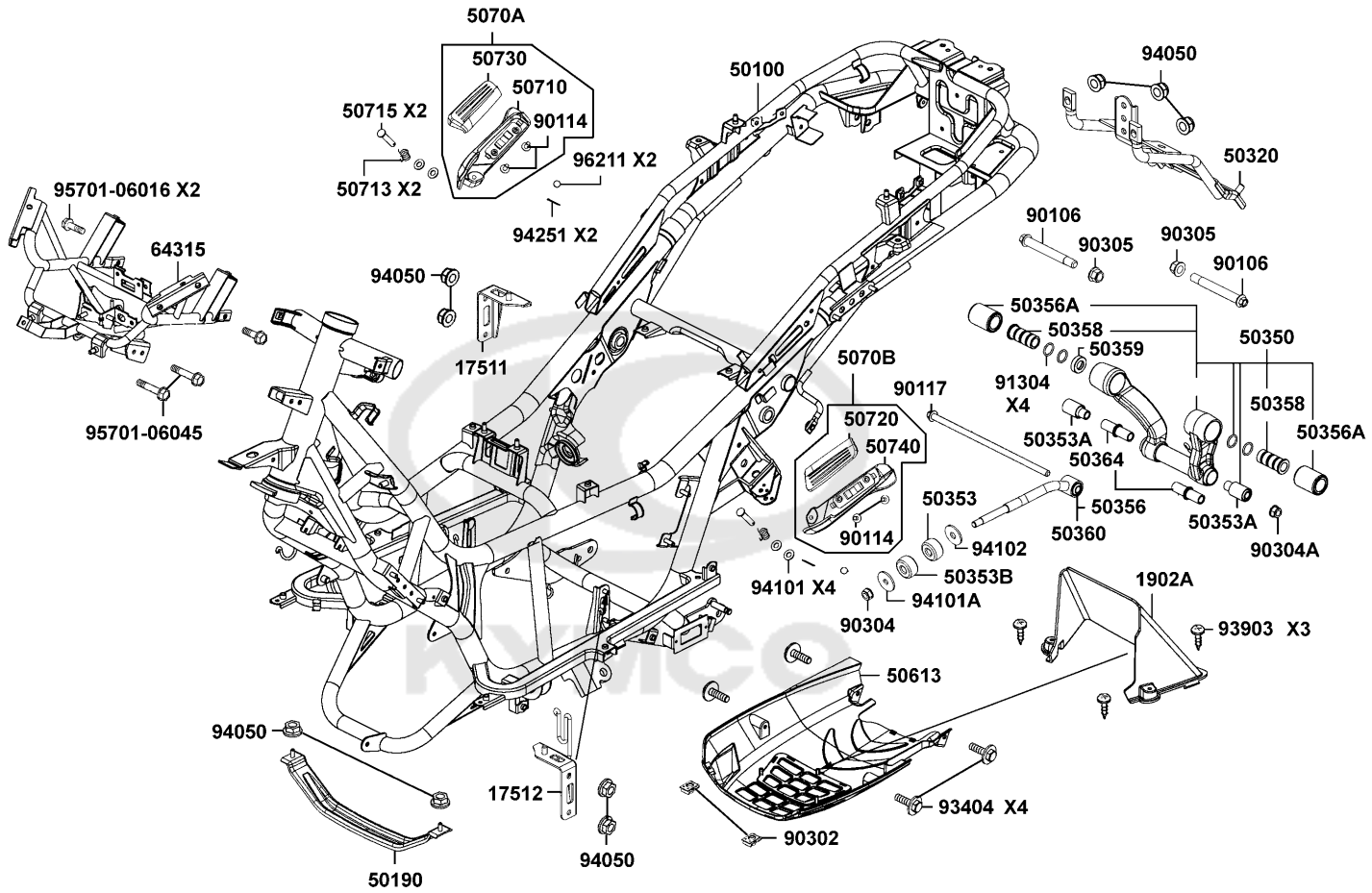


| Sales mark | Ref no | Part no | Description | Reg description | Regd no | F19 |
|------------|--------|----------------|---------------------|---------------------|---------|------------|
| 96001 | | 96001-06012-06 | BOLT FLANGE SH 6*12 | BOLT FLANGE SH 6*12 | 2 | |
| 98200 | | 98200-31000 | BLADE FUSE 10A | BLADE FUSE 10A | 3 | |
| 98200A | | 98200-31500 | BLADE FUSE 15A | BLADE FUSE 15A | 2 | |
| 98200B | | 98200-32500 | BLADE FUSE 25A | BLADE FUSE 25A | 2 | |
| 98200C | | 98200-33000 | BLADE FUSE 30A | BLADE FUSE 30A | 1 | |

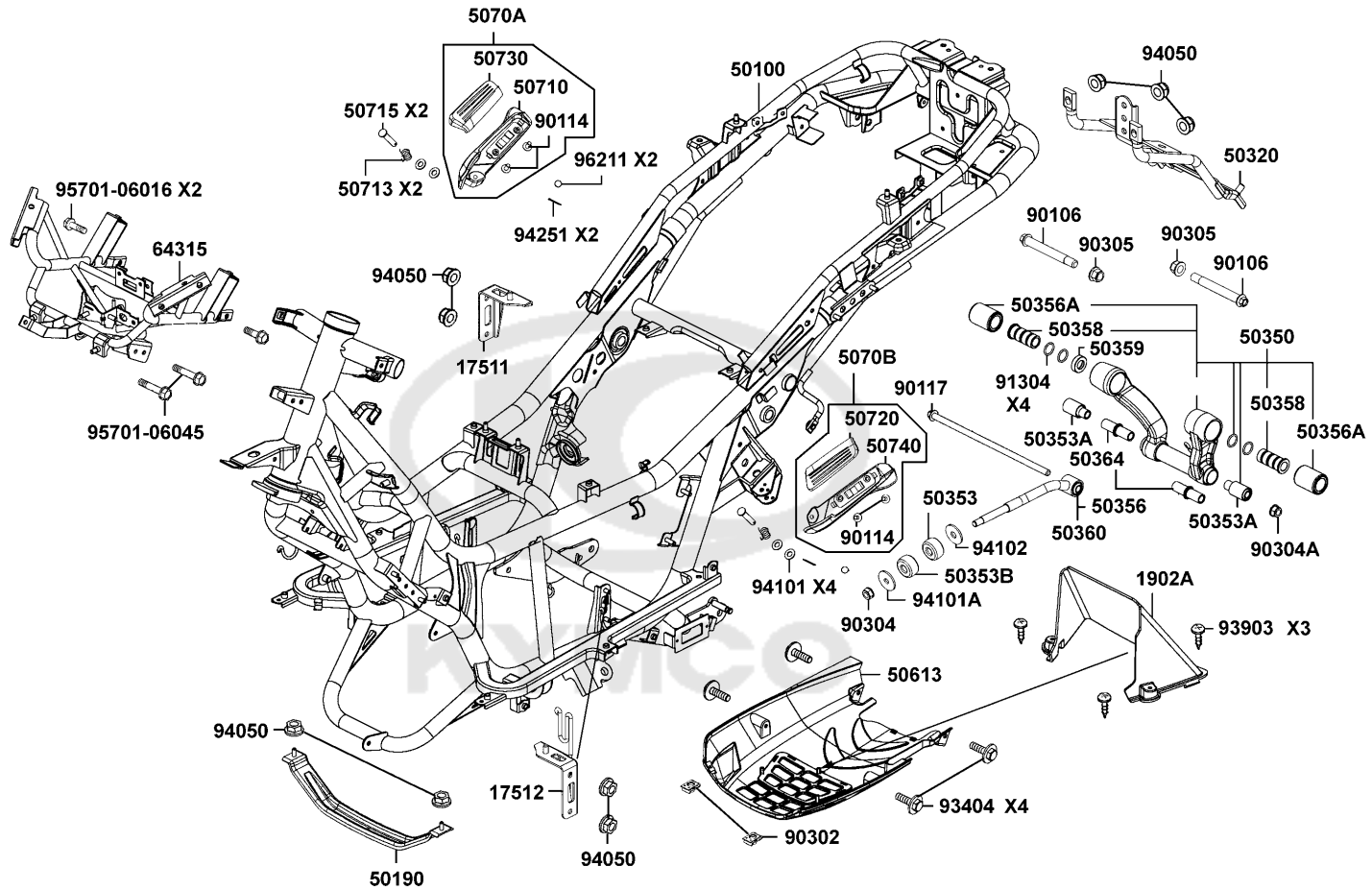




| Sales mark | Ref no | Part no | Description | Reg description | Regd no | F20 |
|------------|--------|----------------|------------------------|------------------------|---------|-----|
| | 17511 | 17511-ACD5-E00 | STAY R FUEL TANK | STAY R FUEL TANK | 1 | |
| | 17512 | 17512-ACD5-E00 | STAY L FUEL TANK | STAY L FUEL TANK | 1 | |
| | 1902A | 1902A-ACD5-E00 | COVER ASSY RADIATOR | COVER ASSY RADIATOR | 1 | |
| | 50100 | 50100-ACD5-E00 | BODY COMP FRAME | BODY COMP FRAME | 1 | |
| | 50190 | 50190-LEA7-E00 | PROTECTOR UNDER COVER | PROTECTOR UNDER COVER | 1 | |
| | 50320 | 50320-ACD5-E00 | STAY REAR FENDER | STAY REAR FENDER | 1 | |
| | 50350 | 50350-ACD5-E00 | HANGER ASSY ENG | HANGER ASSY ENG | 1 | |
| | 50353 | 50353-ACD5-E00 | RUBBER STOPPER | RUBBER STOPPER | 1 | |
| | 50353A | 50353-KGN7-901 | BUSH A ENG HANGER | BUSH A ENG HANGER | 2 | |
| | 50353B | 50353-LEA7-E00 | RUBBER STOPPER | RUBBER STOPPER | 1 | |
| | 50356 | 50356-LEA7-E01 | RUB BUSH ENG HANGER | RUB BUSH ENG HANGER | 1 | |
| | 50356A | 50356-LHG7-E00 | RUBBER BUSH ENG HANGER | RUBBER BUSH ENG HANGER | 2 | |
| | 50358 | 50358-LKF5-E01 | BUSH INNER SWING LOCK | BUSH INNER SWING LOCK | 1 | |
| | 50359 | 50359-LKF5-E01 | COLLAR | COLLAR | 1 | |
| | 50360 | 50360-ACD5-E00 | TIE ROD ASSY ENG | TIE ROD ASSY ENG | 1 | |
| | 50364 | 50364-KHE7-E00 | COLLAR B ENG HANGER | COLLAR B ENG HANGER | 2 | |
| ** | 50613 | 50613-ACD5-E00 | COVER UNDER | COVER UNDER | 1 | |
| ** | 5070A | 5070A-ACD5-E00 | BAR ASSY R RR STEP | BAR ASSY R RR STEP | 1 | |
| ** | 5070B | 5070B-ACD5-E00 | BAR ASSY L RR STEP | BAR ASSY L RR STEP | 1 | |
| ** | 50710 | 50710-ACD5-E00 | BAR R RR STEP | BAR R RR STEP | 1 | |

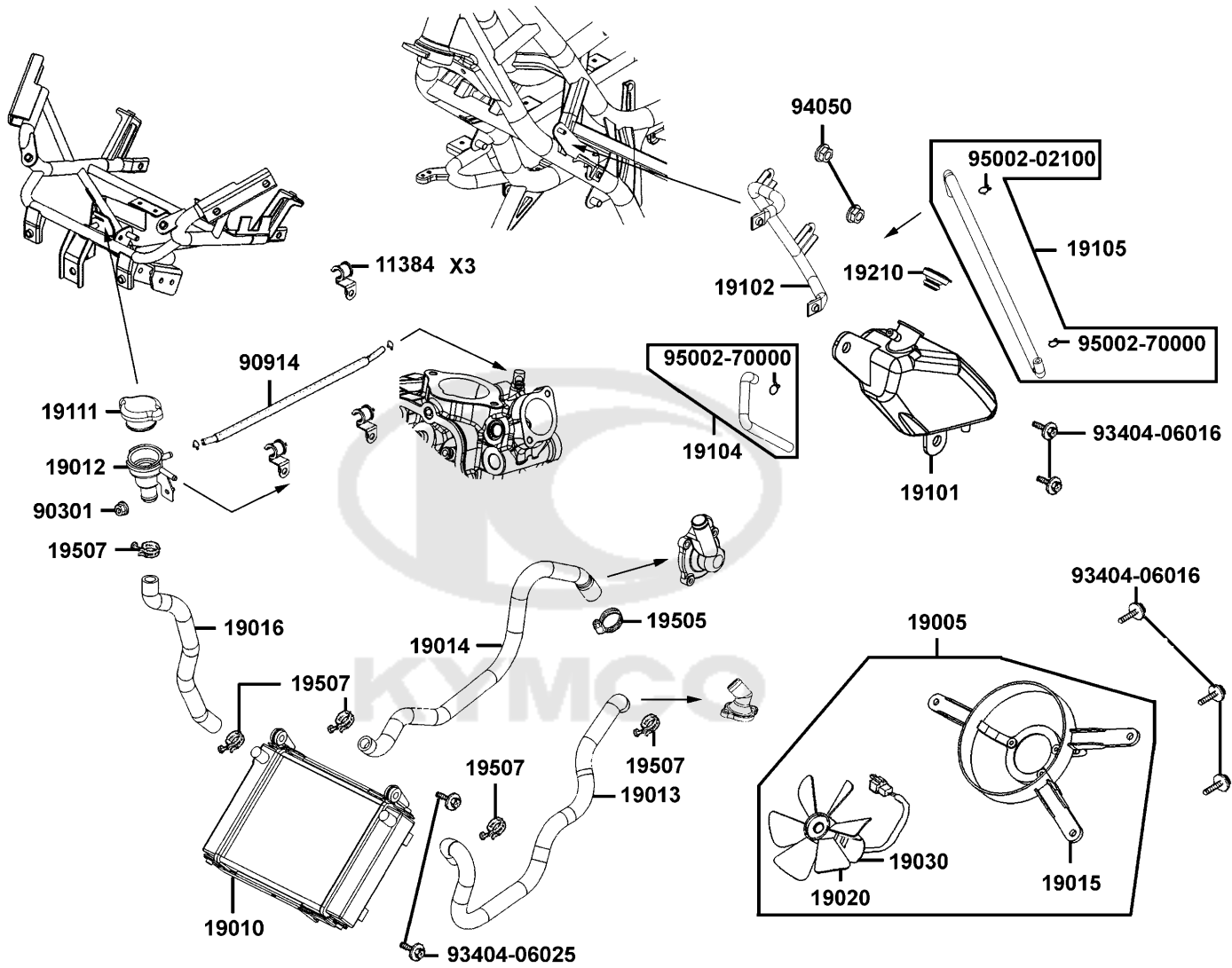


| Sales mark | Ref no | Part no | Description | Reg description | Regd no | F20 |
|------------|--------|----------------|--------------------------|--------------------------|---------|-----|
| | 50713 | 50713-KEB7-900 | SPRING | SPRING | 2 | |
| | 50715 | 50715-KEB7-900 | PIN RR STEP | PIN RR STEP | 2 | |
| ** | 50720 | 50720-ACD5-E00 | BAR L RR STEP | BAR L RR STEP | 1 | |
| | 50730 | 50730-LKG7-E00 | RUEEER COMP R RR STEP | RUEEER COMP R RR STEP | 1 | |
| | 50740 | 50740-LKG7-E00 | RUBBER COMP L RR STEP | RUBBER COMP L RR STEP | 1 | |
| | 64315 | 64315-ACD5-E00 | BRKT FR COVER | BRKT FR COVER | 1 | |
| | 90106 | 90106-LKF5-E00 | BOLT FLANGE 15X122(M14) | BOLT FLANGE 15X122(M14) | 2 | |
| | 90114 | 90114-KED9-900 | SCREW PAN 6*12 | SCREW PAN 6*12 | 4 | |
| | 90117 | 90117-KED9-950 | BOLT FLANGER 10*265 | BOLT FLANGER 10*265 | 1 | |
| | 90302 | 90302-LKB9-900 | NUT SPRING 5MM | NUT SPRING 5MM | 2 | |
| | 90304 | 90304-LBD4-900 | NUT U FLANGE 10MM | NUT U FLANGE 10MM | 1 | |
| | 90304A | 90304-LEA1-900 | NUT U FLANGE 10MM | NUT U FLANGE 10MM | 1 | |
| | 90305 | 90305-LBD4-900 | NUT U 14MM | NUT U 14MM | 2 | |
| | 91304 | 91304-LGE5-E00 | O-RING 17.8x2.4 | O-RING 17.8x2.4 | 4 | |
| | 93404 | 93404-06016-06 | BOLT WASHER 6*16 | BOLT WASHER 6*16 | 4 | |
| | 93903 | 93903-25260 | SCREW TAPPING 5*12 | SCREW TAPPING 5*12 | 3 | |
| | 94050 | 94050-06060 | NUT FLANGE 6MM | NUT FLANGE 6MM | 9 | |
| | 94101 | 94101-06000 | WASHER PLAIN 6MM | WASHER PLAIN 6MM | 4 | |
| | 94101A | 94101-LBA2-E00 | WASHER PLATE 10.5*38*3.0 | WASHER PLATE 10.5*38*3.0 | 1 | |
| | 94102 | 94102-LBA2-E00 | WASHER PLAIN 38*12.5*3 | WASHER PLAIN 38*12.5*3 | 1 | |



| Sales mark | Ref no | Part no | Description | Reg description | Regd no | F20 |
|-------------|----------------|----------------|----------------------|----------------------|---------|------------|
| 94251 | 94251-08400 | 94251-08400 | PIN LOCK 8MM | PIN LOCK 8MM | 2 | |
| 95701-06016 | 95701-06016-06 | 95701-06016-06 | BOLT FLANGE 6*16 (K) | BOLT FLANGE 6*16 (K) | 2 | |
| 95701-06045 | 95701-06045-06 | 95701-06045-06 | BOLT FLANGE 6*45 | BOLT FLANGE 6*45 | 2 | |
| 96211 | 96211-08000 | 96211-08000 | BALL STEEL #8 | BALL STEEL #8 | 2 | |

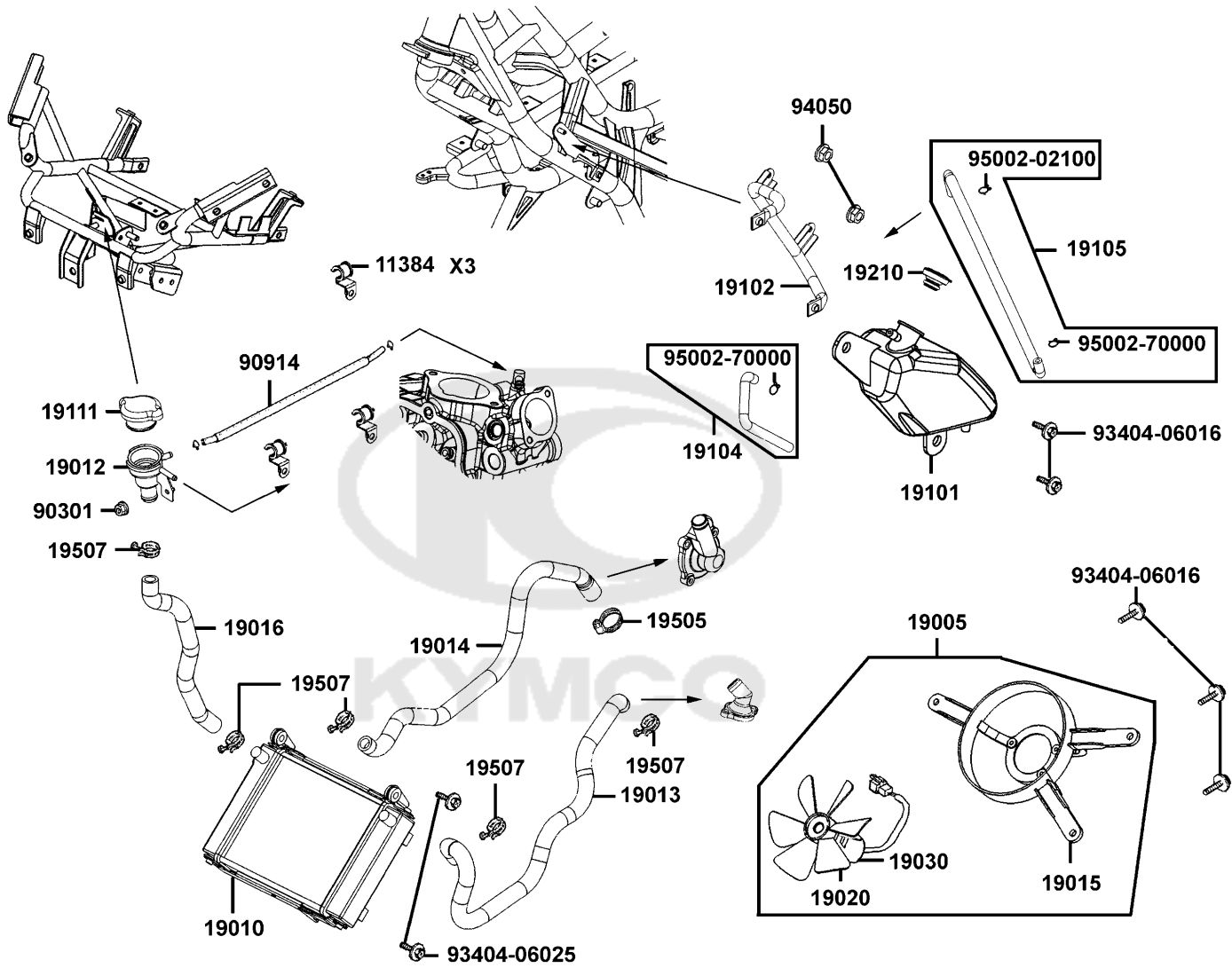





| Sales mark | Ref no | Part no | Description | Reg description | Regd no | F21 |
|------------|--------|----------------|---------------------|---------------------|---------|-----|
| 11384 | | 11384-LEA7-E05 | CLIP WATER PIPE | CLIP WATER PIPE | 3 | |
| 19005 | | 19005-KKC4-900 | SHROUD ASSY | SHROUD ASSY | 1 | |
| 19010 | | 19010-ACD5-E00 | RADIATOR COMP. | RADIATOR COMP. | 1 | |
| 19012 | | 19012-LEA7-E05 | UNIT RADIATOR | UNIT RADIATOR | 1 | |
| 19013 | | 19013-ACD5-E00 | HOSE WATER INLET | HOSE WATER INLET | 1 | |
| 19014 | | 19014-ACD5-E00 | HOSE WATER OUTLET | HOSE WATER OUTLET | 1 | |
| 19015 | | 19015-KKC4-900 | SHROUD COMP | SHROUD COMP | 1 | |
| 19016 | | 19016-LEA7-E01 | HOSE WATER-UNIT CAP | HOSE WATER-UNIT CAP | 1 | |
| 19020 | | 19020-KED9-900 | FAN COOLING | FAN COOLING | 1 | |
| 19030 | | 19030-KHD8-900 | MOTOR ASSY FAN | MOTOR ASSY FAN | 1 | |
| 19101 | | 19101-ACD5-E00 | TANK RESERVE | TANK RESERVE | 1 | |
| 19102 | | 19102-ACD5-E00 | STAY.RES TANK | STAY.RES TANK | 1 | |
| 19104 | | 19104-ACD5-E00 | HOSE ASSY DRAIN | HOSE ASSY DRAIN | 1 | |
| 19105 | | 19105-LEA7-E00 | HOSE ASSY RESERVE | HOSE ASSY RESERVE | 1 | |
| 19111 | | 19111-PRB3-900 | CAP COMP RADIATOR | CAP COMP RADIATOR | 1 | |
| 19210 | | 19210-KKC4-900 | CAP RESERVE TANK | CAP RESERVE TANK | 1 | |
| 19505 | | 19505-LBA2-E00 | CLAMP WATER HOSE | CLAMP WATER HOSE | 1 | |
| 19507 | | 19507-LDB5-E00 | CLAMP D 28 | CLAMP D 28 | 5 | |
| 90301 | | 90301-6D34-671 | NUT FLANGE 6MM | NUT FLANGE 6MM | 1 | |
| 90914 | | 90914-LEA7-E05 | TUBE ASSY WATER | TUBE ASSY WATER | 1 | |

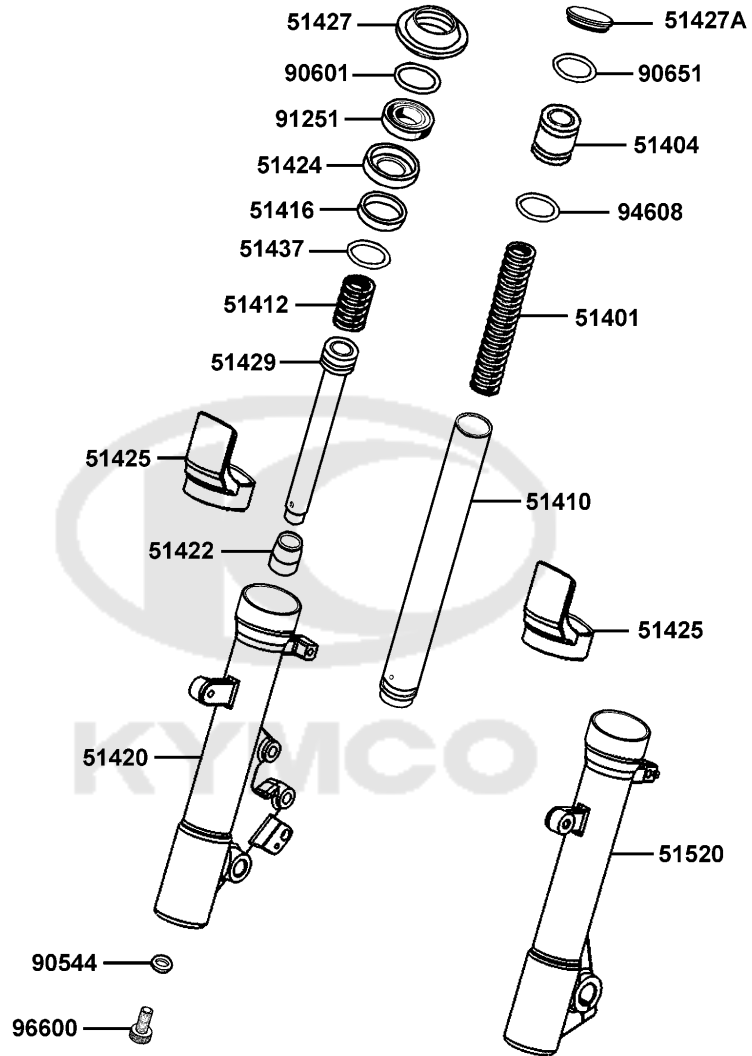
F21

Radiator



| Sales mark | Ref no | Part no | Description | Reg description | Regd no | F21 |
|---|-------------|----------------|------------------|------------------|---------|------------|
| | 93404-06016 | 93404-06016-06 | BOLT WASHER 6*16 | BOLT WASHER 6*16 | 5 | |
| | 93404-06025 | 93404-06025-06 | BOLT WASHER 6*25 | BOLT WASHER 6*25 | 2 | |
| | 94050 | 94050-06080 | NUT FLANGE 6MM | NUT FLANGE 6MM | 2 | |
| | 95002-02100 | 95002-02100 | CLIP B15 TUBE | CLIP B15 TUBE | 1 | |
| | 95002-70000 | 95002-70000 | CLIP C11 TUBE | CLIP C11 TUBE | 2 | |
|  | | | | | | |

Separated Parts Of Fr Fork



| Sales mark | Ref no | Part no | Description | Reg description | Regd no | F22 |
|------------|--------|----------------|-----------------------|-----------------------|---------|-----|
| | 51401 | 51401-LDH1-E00 | SPRING | SPRING | 1 | |
| | 51404 | 51404-LDH1-E00 | SPRING COLLAR | SPRING COLLAR | 1 | |
| | 51410 | 51410-LEA7-E00 | FORK PIPE COMP | FORK PIPE COMP | 1 | |
| | 51412 | 51412-LLJ3-E00 | REBOUND SPRING | REBOUND SPRING | 1 | |
| | 51416 | 51416-LDH1-E00 | GUIDE BUSH | GUIDE BUSH | 1 | |
| ** | 51420 | 51420-ACD5-E00 | BOTTOM CASE R | BOTTOM CASE R | 1 | |
| | 51422 | 51422-KED9-900 | OIL LOCK PIECE | OIL LOCK PIECE | 1 | |
| | 51424 | 51424-LDH1-E00 | SPACER | SPACER | 1 | |
| | 51425 | 51425-LEA7-E00 | FORK FENDER | FORK FENDER | 1 | |
| | 51427 | 51427-LDH1-E00 | DUST SEAL | DUST SEAL | 1 | |
| | 51427A | 51427-LLJ3-E00 | FORK BOLT CAP | FORK BOLT CAP | 1 | |
| | 51429 | 51429-LEA7-E00 | PIPE SEAT COMP | PIPE SEAT COMP | 1 | |
| | 51437 | 51437-LDH1-E00 | PISTON RING | PISTON RING | 1 | |
| ** | 51520 | 51520-ACD5-E00 | BOTTOM CASE L | BOTTOM CASE L | 1 | |
| | 90544 | 90544-KEC8-900 | PACKING | PACKING | 1 | |
| | 90601 | 90601-LLJ3-E00 | OIL SEAL STOPPER RING | OIL SEAL STOPPER RING | 1 | |
| | 90651 | 90651-LLJ3-E00 | STOPPER RING | STOPPER RING | 1 | |
| | 91251 | 91251-LLJ3-E00 | OIL SEAL | OIL SEAL | 1 | |
| | 94608 | 94608-LLJ3-E00 | O-RING | O-RING | 1 | |
| | 96600 | 96600-LBA2-E00 | BOCKET BOLT | BOCKET BOLT | 1 | |

CAUTIONS
 Never put any article between the rear side cover and the engine to avoid interference of riding.
GM9-300

87542



86730

CAUTIONS
 Before starting the engine, the side stand shall be kicked up to secure safety.

87541-GAR1

- Be sure to wear a safety helmet when riding.
- Do not exceed the speed specified by law when riding.
- The exhaust muffler temperature is very high after riding. Be sure to park the motorcycle in a place not easily touched by people.
- For riding safety and good performance, do not violate the law to modify the motorcycle.

87560

KYMCO

87206

NOTICE

TIRE SIZE : FRONT 120/80-14 REAR 150/70-13
 ONE RIDER : FRONT 2.0 kgf/cm² REAR 2.25 kgf/cm²
 TWO RIDER : FRONT 2.0 kgf/cm² REAR 2.25 kgf/cm²
 (AS PER KYMCO STANDARD SPECIFICATION)
 (NOTE: THE TIRE PRESSURE MUST NOT OVER PASS 2.50kgf/cm²)

CHECK THE MOTOR OIL LEVEL WITH THE DIPSTICK AFTER REFILLING MOTOR OIL.
87505-ACD2-EDV

87505

CAUTIONS
 Every 5000 km run should exchange the filter.
KBI-500

87512

CAUTION
 Mobile phone charge only, Use other appliance may cause damage.
KKC2-0000

87541-KKC2

ABS

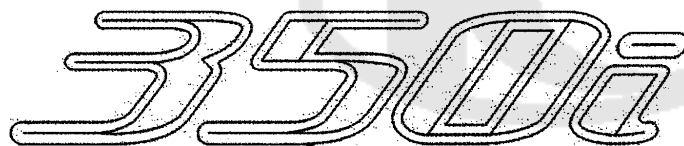
87311

| Sales mark | Ref no | Part no | Description | Reg description | Regd no | F23 |
|------------|------------|----------------|----------------------|----------------------|---------|------------|
| ** | 86730 | 86730-ACD5-E00 | STRIPE LEG SHIELD UP | STRIPE LEG SHIELD UP | 1 | |
| ** | 87206 | 87206-ACD5-E00 | EMB MARK KYMCO | EMB MARK KYMCO | 1 | |
| ** | 87311 | 87311-LFH1-E00 | EMB MARK ABS | EMB MARK ABS | 1 | |
| ** | 87505 | 87505-ACD5-E00 | LABEL TIRE | LABEL TIRE | 1 | |
| ** | 87512 | 87512-KEBE-E00 | CAUTION FILTER | CAUTION FILTER | 1 | |
| ** | 87541-GAR1 | 87541-GAR1-E00 | CAUTION SIDE STAND | CAUTION SIDE STAND | 1 | |
| ** | 87541-KKC2 | 87541-KKC2-E00 | CAUTION MOBILE PHONE | CAUTION MOBILE PHONE | 1 | |
| ** | 87542 | 87542-GAR1-E00 | MARK MAINT CAUTION | MARK MAINT CAUTION | 1 | |
| ** | 87560 | 87560-GFY6-E00 | MARK DRIVE CAUTION | MARK DRIVE CAUTION | 1 | |

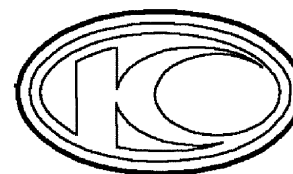




86202



86332



86102

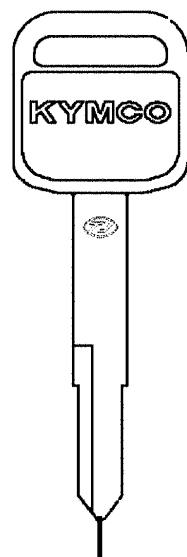
| Sales mark | Ref no | Part no | Description | Reg description | Regd no | F24 |
|------------|--------|---------|-------------|-----------------|---------|------------|
|------------|--------|---------|-------------|-----------------|---------|------------|

| | | | | | | |
|----|-------|----------------|----------------|----------------|---|--|
| ** | 86102 | 86102-ALG1-E00 | EMB K-LOGO | EMB K-LOGO | 1 | |
| ** | 86202 | 86202-ACD5-E00 | EMB BODY COVER | EMB BODY COVER | 1 | |
| ** | 86332 | 86332-ACD5-E00 | EMB SKIRT | EMB SKIRT | 1 | |

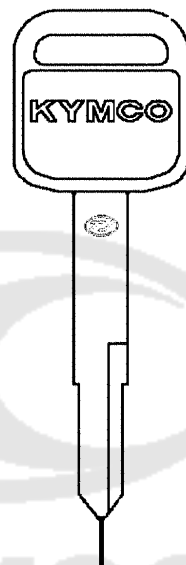


F25

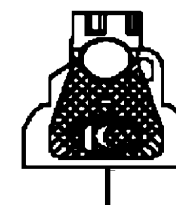
KEY



35111-LBA2-306-T02



35111-LBA2-306-T01



35111-LEA1-307-M2

| Sales mark | Ref no | Part no | Description | Reg description | Regd no | F25 |
|------------|--------|---------|-------------|-----------------|---------|------------|
|------------|--------|---------|-------------|-----------------|---------|------------|

| | | | | | |
|--------------------|--------------------|--------------------------------|--------------------------------|---|--|
| 35111-LBA2-306-T01 | 35111-LBA2-306-T01 | KEY COMP (R TANGENT PLANE/TJ) | KEY COMP (R TANGENT PLANE/TJ) | 1 | |
| 35111-LBA2-306-T02 | 35111-LBA2-306-T02 | KEY COMP (L TANGENT PLANE/TJ) | KEY COMP (L TANGENT PLANE/TJ) | 1 | |
| 35111-LEA1-307-M2 | 35111-LEA1-307-M2 | KEY COMP SHOTTER MAGNETIC (TJ) | KEY COMP SHOTTER MAGNETIC (TJ) | 1 | |



PART NO. INDEX

| PART NO. | VERSION | PAGE | PART NO. | VERSION | PAGE | PART NO. | VERSION | PAGE | |
|------------------|---------|------|----------------|---------|------|----------------|----------------|------|-----|
| 0000 | | | 1110A-ACD5-305 | 0 | E01 | 12310-LEA7-E00 | 6 | E02 | |
| | | | 11203-LBA2-E00 | 2 | E01 | 12391-LEA7-E00 | 5 | E02 | |
| | | | 11203-LBA2-E00 | 2 | F16 | | | | |
| 0901-880-6000 | 0 | E05 | 11212-LEA7-E00 | 5 | F13 | 13000 | | | |
| 0901-911-6000 | 0 | E05 | 1121A-LEA7-E00 | 7 | F13 | | | | |
| | | | 1122A-LEA7-E00 | 2 | E01 | | 13000-ACD5-E00 | 4 | E03 |
| 1000 | | | 11330-LEA7-E00 | 15 | E04 | 13011-ACD5-E00 | 0 | E03 | |
| | | | 11340-LEA7-E02 | 5 | E01 | 13101-ACD5-E00 | 0 | E03 | |
| 1190-0017-0000 | 0 | E05 | 11341-LEA7-E01 | 1 | E01 | 13111-KKE5-E01 | 3 | E03 | |
| 1190-C74-2000 | 0 | E05 | 11344-ACD5-E00 | 0 | E01 | 13314-LEA7-E0A | 3 | E01 | |
| 1614-868-0000-S | 0 | E05 | 11345-ACD5-E00 | 0 | E01 | 13314-LEA7-E0B | 3 | E01 | |
| 1614-906-0002 | 0 | E05 | 11347-LEA7-E00 | 3 | E06 | 13314-LEA7-E0C | 3 | E01 | |
| 1614-A22C-0000-Y | 0 | F10 | 1134A-ACD5-E00 | 0 | E01 | 13406-LEA7-E00 | 2 | E02 | |
| | | | 1134B-ACD5-E00 | 0 | E01 | | | | |
| 3000 | | | 11350-LEA7-E02 | 4 | E01 | 14000 | | | |
| | | | 11384-LEA7-E05 | 2 | F21 | | | | |
| 3700-A35B-0110 | 0 | E05 | 11394-LEA7-E00 | 9 | E04 | | 14100-ACD5-E00 | 1 | E02 |
| 3791-HN80-0000 | 0 | F10 | 11395-LEA7-E00 | 2 | E01 | 14321-LEA7-E00 | 8 | E02 | |
| 4000 | | | 12000 | | | 14401-PWB1-900 | 2 | E03 | |
| | | | | | | | 14420-ACD5-E00 | 0 | E02 |
| | | | | | | | 14430-ACD5-E00 | 0 | E02 |
| 4115-803-1100-3 | 0 | E05 | 12100-ACD5-E00 | 2 | E03 | 14452-LEA7-E00 | 4 | E02 | |
| | | | 12191-ACD5-E00 | 1 | E03 | 14453-LEA7-E00 | 5 | E02 | |
| 11000 | | | 12200-ACD5-E00 | 3 | E02 | 14510-LEA7-E00 | 5 | E03 | |
| | | | 12209-GDB4-68B | 0 | E02 | 14520-KED9-900 | 1 | E03 | |
| 11103-KHE7-900 | 0 | E01 | 12251-ACD5-E00 | 1 | E02 | 14523-KED9-900 | 1 | E03 | |

PART NO. INDEX

| PART NO. | VERSION | PAGE | PART NO. | VERSION | PAGE | PART NO. | VERSION | PAGE |
|----------------|---------|------|-------------------|---------|------|----------------|---------|------|
| 14531-KHE7-900 | 1 | E03 | | | | 17685-KZCZ-900 | 0 | F05 |
| 14610-LEA7-E00 | 2 | E03 | 16000 | | | 17685-LEA7-E00 | 6 | F10 |
| 14711-LGE5-E00 | 2 | E02 | | | | 17910-ACD5-E00 | 0 | F03 |
| 14721-LEA7-E00 | 5 | E02 | 1610K-ACD5-E00 | 0 | E05 | 17911-ACD5-E00 | 0 | F03 |
| 14751-LEA7-E00 | 6 | E02 | 16201-LEA7-E00 | 1 | E02 | | | |
| 14761-LEA7-E00 | 3 | E02 | 16211-LEA7-E00 | 4 | E02 | 18000 | | |
| 14771-GDB4-680 | 0 | E02 | | | | | | |
| 14777-LBA2-E00 | 3 | E02 | 17000 | | | 18291-KKC4-900 | 1 | E01 |
| 14781-MFA6-001 | 0 | E02 | | | | 18291-LKG2-90A | 1 | F14 |
| 15000 | | | 1711A-LEA7-E05 | 2 | E02 | 18291-PWB1-900 | 2 | F14 |
| | | | 17211-LEA7-E00 | 1 | F13 | 18293-KKC4-900 | 0 | E01 |
| | | | 17213-LEA7-E01 | 2 | F13 | 18293-LHJ8-900 | 2 | F14 |
| 15100-LEA7-E00 | 7 | E07 | 17214-LEA7-E00 | 2 | F13 | 18294-KTCT-900 | 1 | F14 |
| 15133-LGF9-E00 | 1 | E07 | 1723A-ACD5-E00 | 0 | F13 | 1830A-ACD5-E00 | 6 | F14 |
| 15141-LGF9-E00 | 1 | E07 | 1723B-ACD5-E00 | 0 | F13 | 18310-ACD5-E00 | 0 | F14 |
| 15161-PUA5-E00 | 5 | E01 | 17359-4K19-671 | 0 | F13 | 18318-ACD5-E00 | 1 | F14 |
| 15200-KED9-900 | 7 | E01 | 1737A-KUDU-900 | 0 | F13 | 18320-ACD5-E00 | 0 | F14 |
| 1541A-LEA7-E00 | 6 | E04 | 17500-LEA7-E00 | 7 | F10 | 18325-ACD5-E00 | 1 | F14 |
| 15421-LEA7-E00 | 0 | E01 | 17511-ACD5-E00 | 1 | F20 | 18371-ACD5-E00 | 0 | F14 |
| 15421-LEA7-E05 | 5 | E01 | 17512-ACD5-E00 | 1 | F20 | 18391-ACD5-E00 | 2 | F14 |
| 15423-KKC3-900 | 1 | E04 | 17530-KGB5-900 | 1 | F05 | | | |
| 15437-LEA7-E00 | 1 | E04 | 17550-LEA7-800 | 5 | F10 | 19000 | | |
| 1565A-GFY6-900 | 0 | E04 | 17561-LHG8-E00 | 1 | F10 | | | |
| 15711-LEA7-E00 | 1 | E07 | 17581-LEA7-E00 | 1 | F10 | 19005-KKC4-900 | 2 | F21 |
| | | | 17620-LEA7-315-M1 | 0 | F10 | 19010-ACD5-E00 | 0 | F21 |
| | | | 17620-LEA7-315-M2 | 0 | F10 | 19012-LEA7-E05 | 1 | F21 |

PART NO. INDEX

| PART NO. | VERSION | PAGE | PART NO. | VERSION | PAGE | PART NO. | VERSION | PAGE |
|----------------|---------|------|----------------|---------|------|----------------|---------|------|
| 19013-ACD5-E00 | 1 | F21 | 19507-LDB5-E00 | 1 | F21 | | | |
| 19014-ACD5-E00 | 0 | E04 | 19508-LBA2-E00 | 0 | E04 | 23000 | | |
| 19014-ACD5-E00 | 0 | F21 | | | | | | |
| 19015-KKC4-900 | 2 | F21 | 21000 | | | 2301A-ACD5-E00 | 0 | E06 |
| 19016-LEA7-E01 | 3 | F21 | | | | 23100-LEA7-E00 | 4 | E06 |
| 19020-KED9-900 | 1 | F21 | 21301-LEA7-E00 | 3 | E08 | 23200-LGE5-E00 | 1 | E06 |
| 1902A-ACD5-E00 | 0 | F20 | 21395-LEA7-E00 | 2 | E08 | 23220-ACD5-E00 | 0 | E06 |
| 19030-KHD8-900 | 2 | F21 | | | | 23225-LEA7-E00 | 1 | E06 |
| 19101-ACD5-E00 | 0 | F21 | 22000 | | | 23226-LEA7-E00 | 1 | E06 |
| 19102-ACD5-E00 | 2 | F21 | | | | 23233-LEA7-E00 | 5 | E06 |
| 19104-ACD5-E00 | 0 | F21 | 22100-LKG7-E00 | 1 | E06 | 23237-KHE7-900 | 0 | E06 |
| 19105-LEA7-E00 | 2 | F21 | 22102-LEA7-E00 | 4 | E06 | 23238-KHE7-900 | 0 | E06 |
| 19111-PRB3-900 | 2 | F21 | 22105-LGF9-E00 | 2 | E06 | 23411-LEA7-E00 | 9 | E08 |
| 19210-KKC4-900 | 0 | F21 | 22110-ACD5-E00 | 0 | E06 | 23420-LEA7-E00 | 4 | E08 |
| 19215-LEA7-E00 | 1 | E04 | 22121-LEA7-E00 | 4 | E06 | 23431-LEA7-E00 | 5 | E08 |
| 19217-6G57-024 | 0 | E04 | 22131-LGE5-E00 | 1 | E06 | 23432-LEA7-E00 | 2 | E08 |
| 19221-LGE5-E00 | 1 | E04 | 22132-PWB1-900 | 4 | E06 | | | |
| 19229-LEA7-E00 | 3 | E04 | 22300-ACD5-E00 | 0 | E06 | 28000 | | |
| 19231-LEA7-E00 | 4 | E04 | 22350-ACD5-E00 | 0 | E06 | | | |
| 19232-LBA2-E00 | 2 | E04 | 22361-LEA7-E00 | 1 | E06 | 28102-LEA7-E00 | 3 | E07 |
| 19300-LFA7-E0A | 1 | E02 | 22401-LFG2-E80 | 1 | E06 | 28110-LEA7-E00 | 3 | E07 |
| 19315-LFA7-E00 | 5 | E02 | 22530-LKG7-E00 | 0 | E06 | 28120-LDB2-E00 | 0 | E07 |
| 19411-LFG2-E00 | 1 | F06 | 22804-GBB2-001 | 0 | E06 | 28130-LEA7-E00 | 4 | E07 |
| 19502-LEA7-E00 | 3 | E04 | | | | | | |
| 19505-LBA2-E00 | 4 | E04 | | | | | | |
| 19505-LBA2-E00 | 4 | F21 | | | | | | |

PART NO. INDEX

| PART NO. | VERSION | PAGE | PART NO. | VERSION | PAGE | PART NO. | VERSION | PAGE |
|----------------|---------|------|----------------|---------|------|--------------------|---------|------|
| 30000 | | | 32411-ACD5-E00 | 1 | F11 | 35000 | | |
| | | | 32412-ACD5-E00 | 1 | E04 | | | |
| 3051A-LKF5-E00 | 4 | F19 | 33000 | | | 35010-ACD5-315 | 0 | F19 |
| 30700-KKE3-900 | 2 | F19 | | | | 35101-ACD5-315 | 0 | F19 |
| 31000 | | | 33100-ACD5-315 | 0 | F01 | 35102-ACD5-315 | 0 | F19 |
| | | | 33100-ACD5-E00 | 4 | F01 | 35102-ACD5-E00 | 0 | F19 |
| | | | 33130-LKG7-E00 | 0 | F01 | 35111-LBA2-306-T01 | 0 | F25 |
| 31110-ACD5-E00 | 2 | E07 | 33180-LKG7-E00 | 0 | F01 | 35111-LBA2-306-T02 | 0 | F25 |
| 31110-ACD5-E0A | 2 | E07 | 33400-ACD5-E00 | 4 | F17 | 35111-LEA1-307-M2 | 0 | F25 |
| 31120-ACD5-E00 | 1 | E07 | 33450-ACD5-E00 | 4 | F17 | 35119-KHC4-90B | 0 | F19 |
| 31120-ACD5-E0A | 4 | E07 | 33700-ACD5-315 | 0 | F18 | 3515A-LKF5-B70 | 1 | F03 |
| 31210-LEA7-E00 | 3 | E07 | 33700-ACD5-E00 | 3 | F18 | 3520A-LKF5-E01 | 3 | F03 |
| 31340-LEA7-E00 | 3 | F19 | 33706-ACD5-E00 | 0 | F18 | 35340-LKF5-E01 | 2 | F04 |
| 31340-LFH1-E00 | 1 | F19 | 33710-ACD5-315 | 0 | F18 | 35350-LKF5-E01 | 1 | F04 |
| 31347-ACD5-E00 | 0 | F19 | 33720-LBB5-E00 | 3 | F18 | 35370-LLJ3-E00 | 4 | F15 |
| 31500-LEA6-900 | 6 | F11 | 33726-LBB5-E00 | 1 | F18 | 35380-ABE1-E00 | 1 | F19 |
| 31500-LEA6-90B | 2 | F11 | 33741-KHC5-M00 | 0 | F18 | 35390-LKF5-E00 | 4 | F12 |
| 31600-PRB8-900 | 2 | F19 | 33760-ACD5-315 | 0 | F18 | 35420-LEA7-E00 | 3 | F19 |
| 3195A-ACD5-E00 | 1 | F19 | 33900-LKF5-E00 | 3 | F12 | 35500-KED9-900 | 6 | E01 |
| 32000 | | | 34000 | | | 35850-KHB4-90A | 5 | F19 |
| | | | | | | 35850-KHB4-90B | 4 | F19 |
| 32100-ACD5-E01 | 7 | F19 | 34901-LEC8-E00 | 0 | F01 | 37000 | | |
| 32105-LLJ3-E00 | 2 | E01 | 34903-KPCP-900 | 0 | F18 | | | |
| 32410-ACD5-E00 | 0 | E07 | 34905-LCA5-E00 | 0 | F18 | 37200-ACD5-E01 | 6 | F02 |

PART NO. INDEX

| PART NO. | VERSION | PAGE | PART NO. | VERSION | PAGE | PART NO. | VERSION | PAGE |
|----------------|---------|------|----------------|---------|------|----------------|---------|------|
| 37211-LEA7-E00 | 0 | F02 | | | | 43530-LEA7-305 | 0 | F04 |
| 37213-KKE5-E00 | 0 | F02 | 42000 | | | | | |
| 37780-ACD5-E00 | 1 | F19 | | | | 44000 | | |
| 38000 | | | 42311-LEA7-E00 | 3 | F08 | | | |
| | | | 42312-LEA7-E00 | 1 | F08 | 44301-LEA7-E00 | 3 | F07 |
| | | | 42601-LEA7-E00 | 7 | F08 | 44311-LEA7-E00 | 2 | F07 |
| 38110-KHB4-E0A | 0 | F19 | 42710-ACD5-E00 | 4 | F08 | 44312-LEA7-E00 | 4 | F07 |
| 38200-KHE7-900 | 0 | F19 | 42753-KNBN-90B | 1 | F07 | 44600-LEA7-305 | 0 | F07 |
| 38300-LFB6-700 | 0 | F19 | 42753-KNBN-90B | 1 | F08 | 44620-LEA7-E00 | 3 | F07 |
| 38500-LFB6-90A | 3 | F19 | 43000 | | | 44710-ACD5-E00 | 3 | F07 |
| 38500-LFB6-90B | 4 | F19 | | | | 45000 | | |
| 38900-ACD5-E00 | 4 | F05 | 43100-LGE5-E01 | 0 | F08 | | | |
| 39000 | | | 43105-LGE5-306 | 0 | F08 | 45105-LGE5-305 | 0 | F07 |
| | | | 43109-GBE2-007 | 0 | F07 | 45107-LGE5-E00 | 0 | F07 |
| 39100-ACD5-E00 | 0 | F19 | 43109-MCA3-006 | 0 | F08 | 45107-LLJ3-E00 | 0 | F08 |
| 39209-ZZA6-E00 | 0 | F19 | 43126-ACD5-E01 | 5 | F04 | 45108-LGE5-E00 | 0 | F07 |
| 3920A-ACD5-E00 | 1 | F19 | 43127-ACD5-E01 | 1 | F04 | 45126-ACD5-E01 | 0 | F04 |
| 39220-LKG2-900 | 1 | F19 | 43156-LDB2-900 | 2 | F16 | 45127-ACD5-E01 | 0 | F04 |
| 39300-LDF2-M90 | 2 | E02 | 43156-LEA7-E00 | 2 | F16 | 45128-LBA2-920 | 3 | F06 |
| 39301-LDF2-M91 | 1 | E02 | 43210-LGE5-E00 | 0 | F08 | 45129-LBA2-900 | 1 | F06 |
| 39400-LDF2-800 | 2 | E02 | 43351-LKG7-E00 | 0 | F08 | 4512A-LEA7-E00 | 7 | F07 |
| 39450-LEA6-800 | 3 | F14 | 43352-KED9-900 | 0 | F07 | 45130-LGE5-E00 | 0 | F07 |
| | | | 43352-KKD6-E90 | 1 | F08 | 45131-LDH1-E00 | 0 | F08 |
| | | | 43353-4A61-77A | 0 | F08 | 45132-KED9-900 | 0 | F07 |
| | | | 43353-KED9-900 | 0 | F07 | 45134-KED9-900 | 0 | F07 |

PART NO. INDEX

| PART NO. | VERSION | PAGE | PART NO. | VERSION | PAGE | PART NO. | VERSION | PAGE |
|----------------|---------|------|----------------|---------|------|----------------|---------|------|
| 45135-LGE5-E00 | 0 | F07 | 50320-ACD5-E00 | 0 | F20 | 50713-KEB7-900 | 0 | F03 |
| 45156-LKG7-E00 | 0 | F07 | 50326-LGJ8-900 | 5 | F12 | 50713-KEB7-900 | 0 | F20 |
| 45200-LKG7-E00 | 3 | F07 | 5032A-LEA5-E00 | 3 | F11 | 50715-KEB7-900 | 0 | F20 |
| 45209-GBE2-007 | 0 | F07 | 5032A-LEA7-E00 | 2 | F11 | 50720-ACD5-E00 | 0 | F20 |
| 45209-KED9-900 | 0 | F08 | 50350-ACD5-E00 | 3 | F20 | 50730-LKG7-E00 | 0 | F20 |
| 45210-LKG7-305 | 0 | F07 | 50353-ACD5-E00 | 0 | F20 | 50740-LKG7-E00 | 0 | F20 |
| 45352-LEA7-E00 | 4 | F07 | 50353-KGN7-901 | 0 | F20 | | | |
| 45513-LEA7-E00 | 1 | F04 | 50353-LEA7-E00 | 1 | F20 | 51000 | | |
| 45517-LBA2-E00 | 2 | F04 | 50356-LEA7-E01 | 1 | F20 | | | |
| 45520-KKA8-900 | 0 | F04 | 50356-LHG7-E00 | 2 | F20 | 51400-ACD5-E00 | 1 | F06 |
| 45521-LEA7-E00 | 1 | F04 | 50358-LKF5-E01 | 1 | F20 | 51401-LDH1-E00 | 0 | F22 |
| 45530-LBA2-309 | 0 | F04 | 50359-LKF5-E01 | 1 | F20 | 51404-LDH1-E00 | 0 | F22 |
| 45531-KED9-900 | 0 | F07 | 50360-ACD5-E00 | 0 | F20 | 51410-LEA7-E00 | 0 | F22 |
| | | | 50364-KHE7-E00 | 0 | F20 | 51412-LLJ3-E00 | 0 | F22 |
| 49000 | | | 50500-ACD5-E00 | 0 | F15 | 51416-LDH1-E00 | 0 | F22 |
| | | | 50502-LDF7-E10 | 0 | F15 | 51420-ACD5-E00 | 0 | F22 |
| 49100-ACD5-E01 | 0 | F04 | 50504-ACD5-E00 | 0 | E01 | 51422-KED9-900 | 0 | F22 |
| 49110-LGE5-E01 | 0 | F04 | 50505-KEBE-900 | 0 | F15 | 51424-LDH1-E00 | 0 | F22 |
| 49211-LFH1-E00 | 1 | F04 | 50505-LEA7-E00 | 1 | F15 | 51425-LEA7-E00 | 2 | F22 |
| | | | 50506-KHE7-E00 | 0 | F15 | 51427-LDH1-E00 | 0 | F22 |
| 50000 | | | 50530-ZZA6-E00 | 2 | F15 | 51427-LLJ3-E00 | 0 | F22 |
| | | | 50550-KKC2-E00 | 0 | F15 | 51429-LEA7-E00 | 0 | F22 |
| 50100-ACD5-E00 | 1 | F20 | 50613-ACD5-E00 | 0 | F20 | 51430-LGE5-E02 | 0 | F08 |
| 50154-KKE3-900 | 2 | F19 | 5070A-ACD5-E00 | 0 | F20 | 51437-LDH1-E00 | 0 | F22 |
| 50190-LEA7-E00 | 2 | F20 | 5070B-ACD5-E00 | 0 | F20 | 51500-ACD5-E00 | 1 | F06 |
| 50306-1F96-001 | 0 | F06 | 50710-ACD5-E00 | 0 | F20 | 51520-ACD5-E00 | 0 | F22 |

PART NO. INDEX

| PART NO. | VERSION | PAGE | PART NO. | VERSION | PAGE | PART NO. | VERSION | PAGE |
|----------------|---------|------|----------------|---------|------|----------------|---------|------|
| 52000 | | | 53214-ACD5-E00 | 6 | F03 | 64301-ACD5-E00 | 1 | F05 |
| 52000-ACD5-E00 | 5 | F16 | 53214-LBA2-E00 | 2 | F06 | 64302-ACD5-E00 | 1 | F05 |
| 52101-LGE5-E01 | 0 | F16 | 53220-LBA2-E00 | 3 | F06 | 64303-ACD5-E00 | 1 | F05 |
| 52103-ACD5-E01 | 0 | F16 | 53240-LEA7-90A | 2 | F06 | 64305-ACD5-E00 | 1 | F05 |
| 52400-ACD5-E00 | 1 | F16 | 53250-LEA7-90A | 2 | F06 | 64306-ACD5-E00 | 1 | F05 |
| 52407-LLB1-900 | 1 | F04 | 53402-LBE1-900 | 0 | F14 | 64308-ACD5-E00 | 0 | F05 |
| 52500-ACD5-E00 | 1 | F16 | 61000 | | | 64309-ACD5-E00 | 0 | F05 |
| 53000 | | | 61100-ACD5-E00 | 0 | F06 | 64310-ACD5-E00 | 0 | F05 |
| 53100-ACD5-E00 | 1 | F03 | 61110-ACD5-E00 | 1 | F05 | 64311-ACD5-E00 | 0 | F05 |
| 53105-ACD5-E00 | 0 | F03 | 61111-ACD5-E00 | 0 | F06 | 64313-ACD5-E00 | 1 | F05 |
| 53106-ACD5-E00 | 0 | F03 | 61112-ACD5-E00 | 0 | F06 | 64315-ACD5-E00 | 4 | F20 |
| 53125-LEA7-E00 | 2 | F03 | 64000 | | | 64320-ACD5-E00 | 0 | F05 |
| 53140-LHJ3-900 | 2 | F03 | 64203-ACD5-E00 | 0 | F05 | 64330-ACD5-E00 | 0 | F05 |
| 53150-LEA6-900 | 4 | F03 | 64220-ACD5-E00 | 0 | F03 | 64335-ACD5-E00 | 1 | F05 |
| 53175-LKF5-E00 | 0 | F04 | 64221-LEA7-E00 | 2 | F03 | 64340-ACD5-E00 | 0 | F05 |
| 53178-LKF5-E00 | 0 | F04 | 64222-LEA7-E00 | 2 | F03 | 64345-ACD5-E00 | 0 | F05 |
| 53200-ACD5-E00 | 1 | F06 | 64222-LLJ3-E00 | 1 | F06 | 64350-ACD5-E00 | 0 | F05 |
| 53202-ACD5-E00 | 4 | F03 | 64223-LEA7-E00 | 5 | F03 | 64360-ACD5-E00 | 0 | F05 |
| 53205-ACD5-E00 | 1 | F03 | 64224-LEA7-E00 | 1 | F03 | 64400-ACD5-E00 | 1 | F05 |
| 53206-ACD5-E00 | 1 | F03 | 64225-LEA7-E00 | 2 | F03 | 64401-ZZA6-E00 | 0 | F05 |
| 53213-LBA2-E00 | 2 | F06 | 64226-LEA7-E00 | 2 | F03 | 77000 | | |
| 53213-LEA7-E00 | 1 | F06 | 6422A-ACD5-E00 | 1 | F03 | 77200-ACD5-309 | 0 | F09 |
| | | | | | | 77206-KEB7-900 | 0 | F09 |
| | | | | | | 77235-ZZA6-E00 | 1 | F19 |

PART NO. INDEX

| PART NO. | VERSION | PAGE | PART NO. | VERSION | PAGE | PART NO. | VERSION | PAGE |
|----------------|---------|------|----------------|---------|------|----------------|---------|------|
| 77240-ACD5-E00 | 1 | F19 | 81124-ACD5-E00 | 0 | F05 | 83510-ACD5-E00 | 0 | F05 |
| 77300-ACD5-E00 | 1 | F09 | 81125-ACD5-E00 | 0 | F05 | 83520-ACD5-E00 | 0 | F12 |
| 77303-ZZA6-E00 | 0 | F09 | 81131-ACD5-E00 | 0 | F05 | 83530-ACD5-E00 | 0 | F12 |
| 77500-LEA7-E00 | 2 | F09 | 81132-ACD5-E00 | 0 | F05 | 83532-ACD5-E00 | 1 | F05 |
| 77501-LEA7-E00 | 0 | F09 | 81133-ACD5-E00 | 1 | F05 | 83534-ACD5-E00 | 1 | F05 |
| | | | 81134-ACD5-E00 | 0 | F05 | 83550-KEC8-900 | 0 | F06 |
| 80000 | | | 81135-ACD5-E00 | 0 | F05 | 83550-KEC8-900 | 0 | F18 |
| | | | 81136-LEA7-E00 | 2 | F05 | 83551-KEC8-900 | 0 | F06 |
| 80100-ACD5-E00 | 1 | F18 | 8113A-ACD5-E00 | 7 | F05 | 83551-KEC8-900 | 0 | F18 |
| 80101-ACD5-E00 | 0 | F18 | 8113B-ACD5-E00 | 7 | F05 | 83600-ACD5-E00 | 1 | F12 |
| 80103-LEA7-E00 | 2 | F18 | 81141-ACD5-E00 | 0 | F05 | 83610-ACD5-E00 | 0 | F05 |
| 80104-LKG7-E00 | 0 | F18 | 81142-ACD5-E00 | 0 | F05 | 83620-ACD5-E00 | 0 | F12 |
| 80105-ACD5-E00 | 0 | F18 | 81151-ACD5-E00 | 1 | F05 | 83630-ACD5-E00 | 0 | F12 |
| 80106-LKF5-E00 | 0 | F18 | 81153-ACD5-E00 | 1 | F03 | 83750-ACD5-E00 | 1 | F12 |
| 80107-LKF5-E00 | 0 | F18 | 81163-ACD5-E00 | 1 | F03 | | | |
| 80108-LKG7-E00 | 0 | F18 | 81163-LKJ1-900 | 0 | F05 | 86000 | | |
| 80151-ACD5-E00 | 0 | F05 | 81164-LKJ1-900 | 0 | F05 | | | |
| 80152-ACD5-E00 | 0 | F05 | 81200-ACD5-E00 | 1 | F12 | 86102-ALG1-E00 | 0 | F24 |
| 80153-LEA7-E00 | 3 | F05 | 81220-LKG7-E00 | 0 | F12 | 86102-ALG1-E00 | 4 | F24 |
| 80153-LKF5-E00 | 1 | F05 | 81252-KKE5-E00 | 2 | F12 | 86202-ACD5-E00 | 0 | F24 |
| 8015A-ACD5-E00 | 0 | F05 | 81252-LEA7-E00 | 1 | F12 | 86332-ACD5-E00 | 3 | F24 |
| | | | 81260-ACD5-E00 | 0 | F12 | 86730-ACD5-E00 | 0 | F23 |
| 81000 | | | 83000 | | | 87000 | | |
| 81122-ACD5-E00 | 0 | F05 | | | | | | |
| 81123-ACD5-E00 | 1 | F05 | 83500-ACD5-E00 | 1 | F12 | 87206-ACD5-E00 | 0 | F23 |

PART NO. INDEX

| PART NO. | VERSION | PAGE | PART NO. | VERSION | PAGE | PART NO. | VERSION | PAGE |
|----------------|---------|------|----------------|---------|------|----------------|---------|------|
| 87311-LFH1-E00 | 2 | F23 | 90001-LEA7-E00 | 2 | E02 | 90117-KED9-950 | 0 | F20 |
| 87505-ACD5-E00 | 0 | F23 | 90005-KED9-900 | 2 | E03 | 90122-LEA7-E00 | 1 | F07 |
| 87508-KKC4-E00 | 1 | F03 | 9000B-KHD6-900 | 2 | E02 | 90122-LEA7-E00 | 1 | F08 |
| 87512-KEBE-E00 | 0 | F23 | 90012-3C33-001 | 1 | E02 | 90145-LEA3-E00 | 1 | F04 |
| 87541-GAR1-E00 | 1 | F23 | 90017-KKE5-E00 | 4 | E02 | 90145-LFH1-E00 | 1 | F04 |
| 87541-KKC2-E00 | 1 | F23 | 90032-LEA7-E00 | 2 | E01 | 90201-KHE7-900 | 1 | E06 |
| 87542-GAR1-E00 | 2 | F23 | 90033-KGB4-C00 | 2 | E02 | 90201-KHR8-75A | 1 | E06 |
| 87560-GFY6-E00 | 4 | F23 | 90084-KKF9-901 | 0 | E04 | 90201-KHR8-75A | 1 | E07 |
| | | | 9008A-PTA1-900 | 3 | E04 | 90202-LEA7-E00 | 3 | E06 |
| 88000 | | | 90103-LGE5-E00 | 1 | F14 | 90206-0A01-001 | 4 | E02 |
| | | | 90105-KHB4-900 | 0 | F03 | 90215-ALK5-900 | 0 | F19 |
| 88110-ACD5-E00 | 0 | F03 | 90105-LEA7-E00 | 1 | F07 | 90215-KKC4-900 | 1 | F09 |
| 88120-ACD5-E00 | 0 | F03 | 90105-LEA7-E00 | 1 | F08 | 90215-KKC4-900 | 1 | F12 |
| 88130-KEBE-900 | 1 | F03 | 90106-GEN5-901 | 1 | F03 | 90215-KKC4-900 | 1 | F18 |
| | | | 90106-KFAF-900 | 2 | F12 | 90301-6D34-671 | 1 | F01 |
| 89000 | | | 90106-KFC2-900 | 0 | F03 | 90301-6D34-671 | 1 | F10 |
| | | | 90106-LKF5-E00 | 2 | F20 | 90301-6D34-671 | 1 | F21 |
| 89010-ACD5-E00 | 0 | F09 | 90107-ACD5-E00 | 0 | F12 | 90301-GFY6-901 | 2 | F14 |
| 89020-KKC4-900 | 1 | F09 | 90107-LEA7-E00 | 4 | F03 | 90302-GBR2-001 | 1 | F18 |
| | | | 90107-LEA7-E00 | 4 | F06 | 90302-GFY6-940 | 1 | F11 |
| 90000 | | | 90108-KKC4-900 | 1 | F15 | 90302-GFY6-940 | 1 | F19 |
| | | | 90112-KNBN-901 | 1 | F11 | 90302-LBF2-900 | 1 | F16 |
| 90001-GBHB-661 | 3 | E03 | 90113-KKA8-900 | 0 | F04 | 90302-LKB9-900 | 3 | F03 |
| 90001-GBHB-661 | 3 | E07 | 90113-LGE5-E01 | 0 | F04 | 90302-LKB9-900 | 3 | F05 |
| 90001-GBHB-681 | 3 | F13 | 90114-KED9-900 | 3 | F20 | 90302-LKB9-900 | 3 | F12 |
| 90001-GFY6-901 | 5 | E02 | 90114-LGE5-E01 | 0 | F04 | 90302-LKB9-900 | 3 | F20 |

PART NO. INDEX

| PART NO. | VERSION | PAGE | PART NO. | VERSION | PAGE | PART NO. | VERSION | PAGE |
|----------------|---------|------|----------------|---------|------|----------------|---------|------|
| 90302-LLB1-E00 | 2 | F03 | 90544-KEC8-900 | 0 | F22 | 91211-KHE7-900 | 0 | E06 |
| 90302-LLB1-E00 | 2 | F16 | 90545-3L00-001 | 2 | F04 | 91251-LLJ3-E00 | 0 | F22 |
| 90302-PWA5-900 | 1 | F18 | 90601-LLJ3-E00 | 0 | F22 | 91255-LGE5-E00 | 1 | F16 |
| 90302-SDA4-004 | 2 | F12 | 90605-1F66-721 | 0 | E06 | 91255-LKG7-E00 | 1 | E01 |
| 90304-LBD4-900 | 2 | F20 | 90651-LEA2-900 | 0 | F19 | 91255-LLB1-900 | 1 | F16 |
| 90304-LEA1-900 | 1 | F03 | 90651-LLJ3-E00 | 0 | F22 | 91301-2L00-001 | 0 | E01 |
| 90304-LEA1-900 | 1 | F15 | 90652-KHE7-900 | 0 | F13 | 91301-LDF2-M90 | 2 | E02 |
| 90304-LEA1-900 | 1 | F16 | 90652-LCA4-E00 | 1 | F12 | 91302-5G67-004 | 0 | E04 |
| 90304-LEA1-900 | 1 | F20 | 90652-LDG7-900 | 1 | E02 | 91302-LDF2-M90 | 2 | E02 |
| 90304-ZZA6-E00 | 0 | F19 | 90652-LFB5-900 | 3 | F05 | 91302-LEA7-E00 | 1 | E02 |
| 90305-KKAK-900 | 0 | F08 | 90656-KUDU-900 | 0 | F19 | 91303-3G77-001 | 0 | E04 |
| 90305-LBA2-E00 | 1 | F06 | 90677-GAR1-004 | 1 | F11 | 91303-LEA7-E00 | 1 | E04 |
| 90305-LBD4-900 | 1 | F20 | 90701-9E65-001 | 0 | E01 | 91304-LGE5-E00 | 1 | F20 |
| 90312-LLJ3-E00 | 1 | F03 | 90754-LLJ3-E00 | 1 | F07 | 91306-1E05-691 | 0 | E03 |
| 90312-LLJ3-E01 | 0 | F06 | 90914-LEA7-E05 | 2 | F21 | 91306-PUA5-E00 | 3 | E01 |
| 90401-KKJ9-001 | 0 | E07 | | | | 91307-0E35-001 | 0 | E04 |
| 90401-LEA7-E00 | 1 | E06 | 91000 | | | 91307-PUA5-E00 | 3 | E01 |
| 90402-LEA7-E00 | 4 | E03 | | | | 91309-4E25-004 | 0 | E07 |
| 90403-LEA7-E00 | 1 | E06 | 91002-GGA7-70A | 0 | E06 | 91351-KHE7-900 | 0 | E06 |
| 90423-KKJ9-001 | 0 | E04 | 91004-LEA7-E00 | 1 | E06 | 91507-LEA7-E00 | 1 | F19 |
| 90428-9H58-001 | 0 | E04 | 91005-LBA7-900 | 1 | E01 | 91552-LEA7-E00 | 1 | E01 |
| 90474-3C33-001 | 1 | E01 | 91009-KHE7-900 | 0 | E01 | | | |
| 90478-7L00-001 | 0 | E02 | 91201-LEA7-E00 | 1 | E01 | 92000 | | |
| 90478-7L00-001 | 0 | E04 | 91202-LEA7-E00 | 4 | E08 | | | |
| 90503-LEA7-E00 | 2 | F06 | 91202-LEA7-E0A | 3 | E08 | 92000-05016-0G | 0 | E02 |
| 9052A-LEB1-900 | 2 | E01 | 91202-LKG2-900 | 1 | E04 | 92101-05012-0G | 0 | E01 |

PART NO. INDEX

| PART NO. | VERSION | PAGE | PART NO. | VERSION | PAGE | PART NO. | VERSION | PAGE |
|----------------|---------|------|----------------|---------|------|----------------|---------|------|
| 92101-05012-0G | 0 | E07 | 93903-25260 | 0 | F17 | 94050-10060 | 0 | E01 |
| 92101-05032-0G | 0 | E07 | 93903-25260 | 0 | F18 | 94101-06000 | 0 | F20 |
| 92900-06040-0E | 2 | E02 | 93903-25260 | 0 | F20 | 94101-06700 | 0 | F14 |
| 93000 | | | 93903-25360 | 0 | E01 | 94101-08600 | 0 | F15 |
| | | | 93903-25460 | 0 | F13 | 94101-LBA2-E00 | 1 | F20 |
| | | | 93903-34360 | 0 | F12 | 94101-LEA2-900 | 0 | F14 |
| | | | 93903-34360 | 0 | F18 | 94102-LBA2-E00 | 1 | F20 |
| | | | 93903-34760 | 0 | F05 | 94111-06700 | 0 | F14 |
| 93401-LEA7-900 | 0 | F14 | 93903-35360 | 0 | F01 | 94201-20180 | 0 | F15 |
| 93404-06016-06 | 0 | F03 | 93903-35360 | 0 | F02 | 94251-08400 | 0 | F20 |
| 93404-06016-06 | 0 | F05 | 93903-35360 | 0 | F03 | 94301-08100 | 1 | E02 |
| 93404-06016-06 | 0 | F12 | 93903-45260 | 0 | F12 | 94301-08140 | 0 | E04 |
| 93404-06016-06 | 0 | F15 | 93903-KEB7-900 | 1 | F03 | 94301-10160 | 0 | E01 |
| 93404-06016-06 | 0 | F18 | 93903-LHJ8-900 | 0 | F03 | 94301-10160 | 0 | E04 |
| 93404-06016-06 | 0 | F20 | 93903-LHJ8-900 | 0 | F05 | 94301-10160 | 0 | E08 |
| 93404-06016-06 | 0 | F21 | 94000 | | | 94301-12200 | 1 | E02 |
| 93404-06025-06 | 0 | F21 | | | | 94301-12200 | 1 | E03 |
| 93500-03010-0F | 0 | E07 | | | | 94303-04065 | 0 | E07 |
| 93500-KHC4-90A | 0 | F19 | | | | 94401-25140 | 4 | E03 |
| 93600-04012-1G | 0 | F04 | | | | 94510-10000 | 0 | E07 |
| 93600-06032-0F | 0 | E07 | 94050-05080 | 0 | F18 | 94510-14000 | 0 | E04 |
| 93892-04008-16 | 0 | E05 | 94050-06060 | 0 | F04 | 94510-25000 | 0 | E08 |
| 93893-04012-18 | 0 | F04 | 94050-06060 | 0 | F19 | 94520-28000 | 0 | E06 |
| 93903-24360 | 0 | F05 | 94050-06060 | 0 | F20 | 94520-47000 | 0 | E01 |
| 93903-25260 | 0 | F03 | 94050-06080 | 0 | E02 | 94520-47000 | 0 | F16 |
| 93903-25260 | 0 | F05 | 94050-06080 | 0 | F09 | 94591-KFBF-900 | 2 | E02 |
| 93903-25260 | 0 | F06 | 94050-08060 | 0 | F21 | | | |
| 93903-25260 | 0 | F12 | | | F19 | | | |

PART NO. INDEX

| PART NO. | VERSION | PAGE | PART NO. | VERSION | PAGE | PART NO. | VERSION | PAGE | |
|----------------|---------|------|----------------|---------|----------------|----------------|----------------|------|-----|
| 94601-KKE5-E01 | 5 | E03 | 95801-10030-06 | 0 | F15 | 96100-63020-00 | 0 | E01 | |
| 94608-LLJ3-E00 | 0 | F22 | 95801-10040-06 | 0 | F16 | 96100-63020-00 | 0 | E08 | |
| 95000 | | | 95801-10060-06 | 0 | F14 | 96100-63040-00 | 1 | E08 | |
| | | | 95801-10060-06 | 0 | F16 | 96150-60020-10 | 0 | F07 | |
| | | | 96000 | | | 96150-62040-10 | 0 | F16 | |
| | | | | | | 96211-08000 | 0 | F20 | |
| 95002-02080 | 0 | F05 | | | 96600-08015-16 | 0 | E07 | | |
| 95002-02100 | 0 | F21 | | | 96600-LBA2-E00 | 0 | F22 | | |
| 95002-02150 | 0 | F13 | 96001-06008-07 | 0 | F14 | 96600-LGE5-E00 | 0 | F07 | |
| 95002-41150-00 | 0 | F13 | 96001-06010-00 | 0 | E04 | 96700-KED9-900 | 3 | F06 | |
| 95002-50000 | 0 | E01 | 96001-06010-06 | 0 | E02 | 98000 | | | |
| 95002-70000 | 0 | F21 | 96001-06012-06 | 0 | E07 | | | | |
| 95014-72204 | 0 | F15 | 96001-06012-06 | 0 | F06 | | | | |
| 95701-06008-06 | 1 | F06 | 96001-06012-06 | 0 | F16 | | | | |
| 95701-06012-06 | 1 | F06 | 96001-06012-06 | 0 | F19 | | 98059-57916-00 | 2 | E02 |
| 95701-06012-06 | 1 | F07 | 96001-06020-06 | 0 | E01 | | 98200-31000 | 1 | F11 |
| 95701-06016-06 | 1 | E02 | 96001-06022-06 | 1 | E04 | | 98200-31000 | 1 | F19 |
| 95701-06016-06 | 1 | F20 | 96001-06025-06 | 0 | E02 | | 98200-31500 | 0 | F11 |
| 95701-06045-06 | 0 | F06 | 96001-06025-06 | 0 | E03 | | 98200-31500 | 0 | F19 |
| 95701-06045-06 | 0 | F20 | 96001-06028-06 | 0 | E04 | | 98200-32500 | 0 | F19 |
| 95701-06050-06 | 0 | F04 | 96001-06028-06 | 0 | F04 | 98200-33000 | 0 | F11 | |
| 95701-08012-06 | 0 | E01 | 96001-06030-06 | 0 | E01 | 98200-33000 | 0 | F19 | |
| 95701-08035-06 | 1 | E08 | 96001-06035-06 | 0 | E04 | W | | | |
| 95701-08040-06 | 0 | E08 | 96001-06070-06 | 0 | E01 | | | | |
| 95701-LDF2-800 | 2 | F10 | 96001-06080-06 | 1 | E01 | | | | |
| 95701-LEA5-E00 | 1 | F19 | 96001-GFY6-900 | 2 | F13 | | W1792-048-9901 | 0 | E05 |
| 95801-08040-06 | 0 | F06 | 96100-62050-00 | 2 | E08 | | | | |